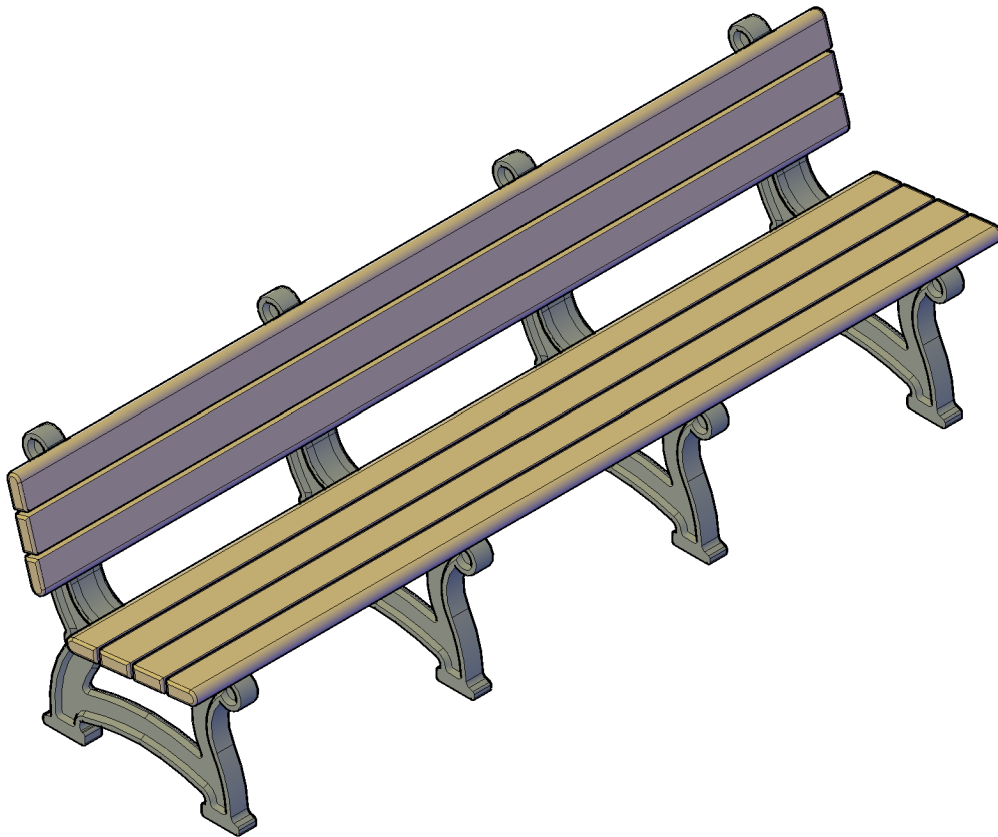


# 8 Foot Aspen Park Bench

For Fastener Pack  
(FP-AB8B-CU-00)

CUSTOMER NOTICE:

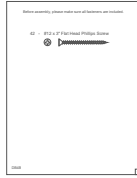
FOLLOW ASSEMBLY INSTRUCTIONS CLOSELY. DAMAGES DUE TO IMPROPER  
ASSEMBLY WILL NOT BE COVERED UNDER WARRANTY.



**Congratulations !!**

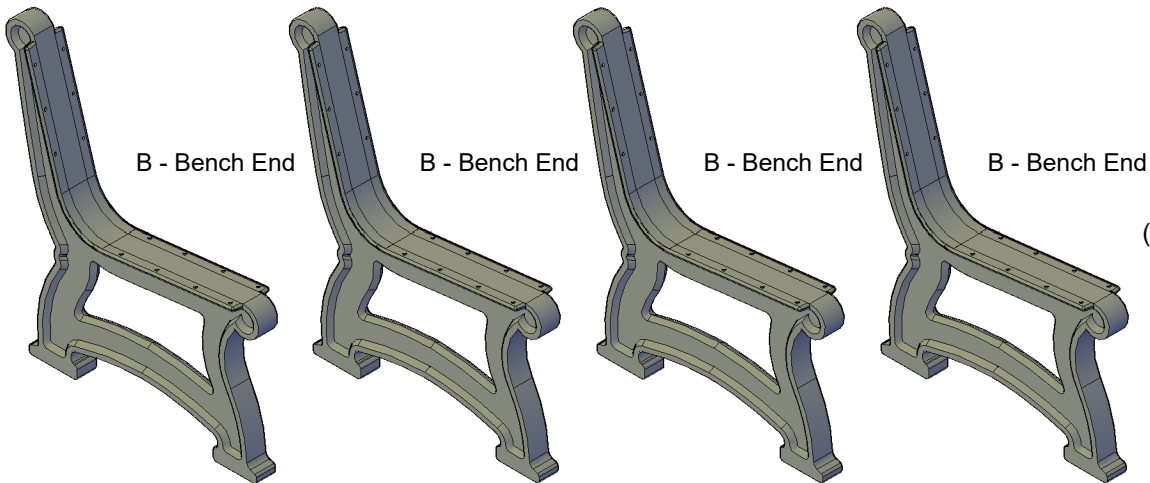
**You have just purchased the finest recycled plastic  
park bench available. Enjoy !!!**

Before assembly, please make sure all components are included.



( 1 ) - One Fastener Pack  
FP-AB8B-CU-00

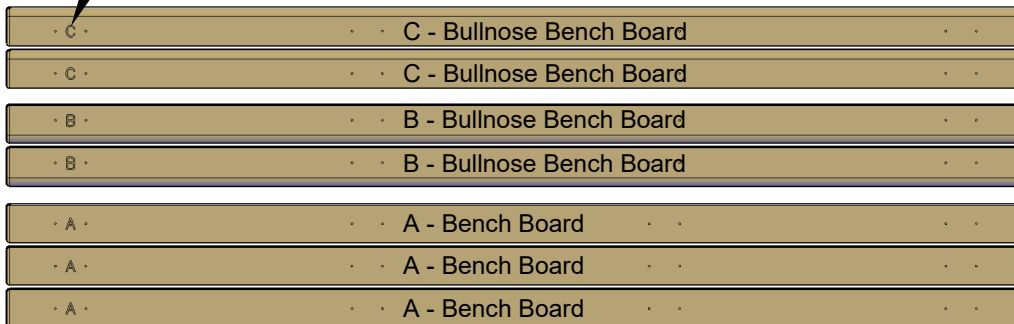
FP - Fastener Pack



( 4 ) - Four Bench Ends  
PS-HBBE-A-00

**Engraved Reference Letters**

**\*\*NOTE :** Be sure to keep this on the same side of the bench for all bench boards.\*\*



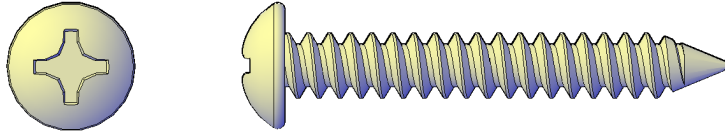
( 2 ) - Two Bullnose Bench Boards  
BP-AB8B-C-00

( 2 ) - Two Bullnose Bench Boards  
BP-AB8B-B-00

( 3 ) - Three Bench Boards  
BP-AB8B-A-00

Before assembly, please make sure all fasteners are included.

56 - #12 x 1 1/2" Pan Head Phillips Screw



Also needed for this assembly will be the following materials:

1 - #3 Phillips Drive Bit

**\*IMPORTANT NOTICE\*:**

- DO NOT OVER-TIGHTEN SCREWS.
- USE A DRILL WITH ADJUSTABLE TORQUE FOR BEST RESULTS.
- OVER-TIGHTENING WILL RESULT IN STRIPPING OUT THE PILOT HOLE, AND SCREW WILL "SINK" INTO THE PLASTIC WHICH MAY CAUSE A STRESS FRACTURE.

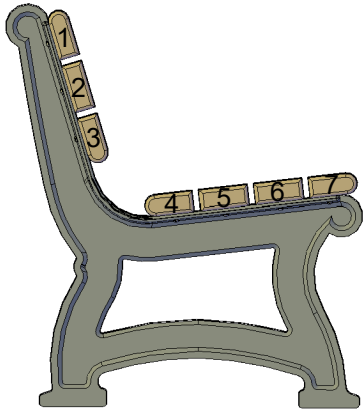
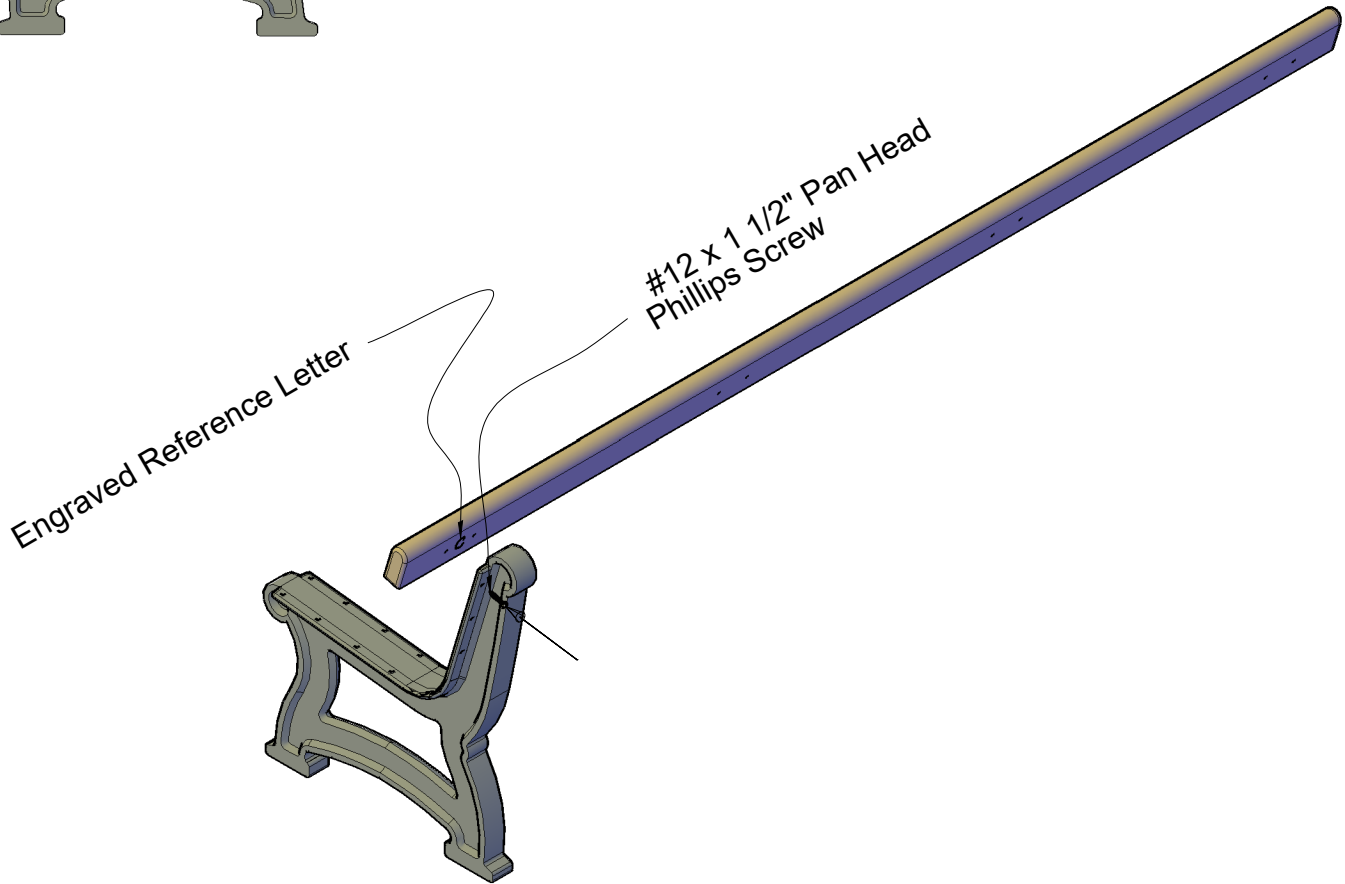


Fig #1:

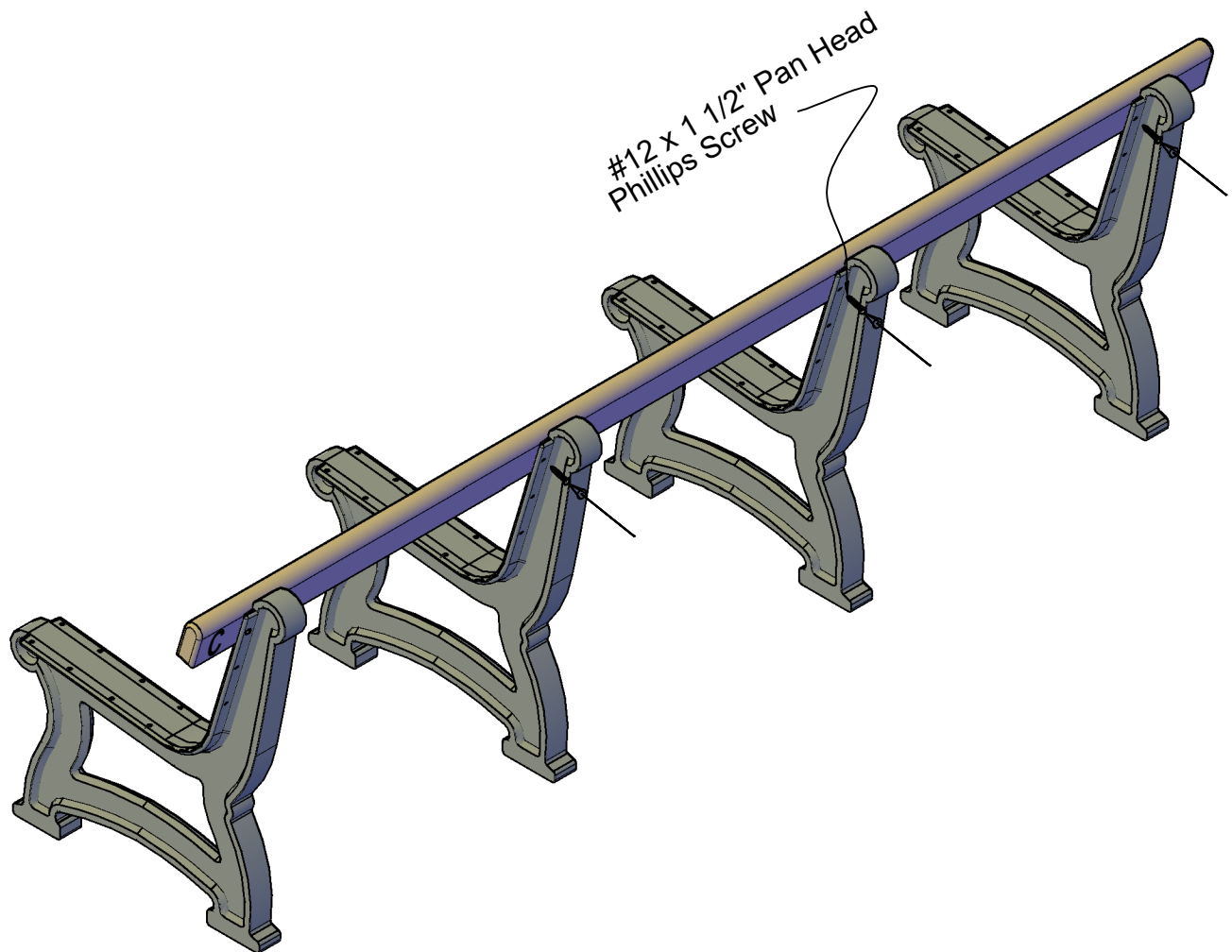
In order to make the assembly of this Aspen Bench easier while going through the assembly process the board positions are numbered and will be referenced in later steps.



Step #1:

Stand (1) One bench end upright and place (1) One bullnose bench board **C** on position **1** being sure to align the pilot holes to the pre-drilled holes in the bench end and making sure the engraved reference letter is on the side shown. After the holes are properly aligned, start (1) One #12 x 1 1/2" Pan Head Phillips Screw in one of the top pre-drilled holes.

Note: Do not tighten screw completely. This will be done in a later step.



### Step #2:

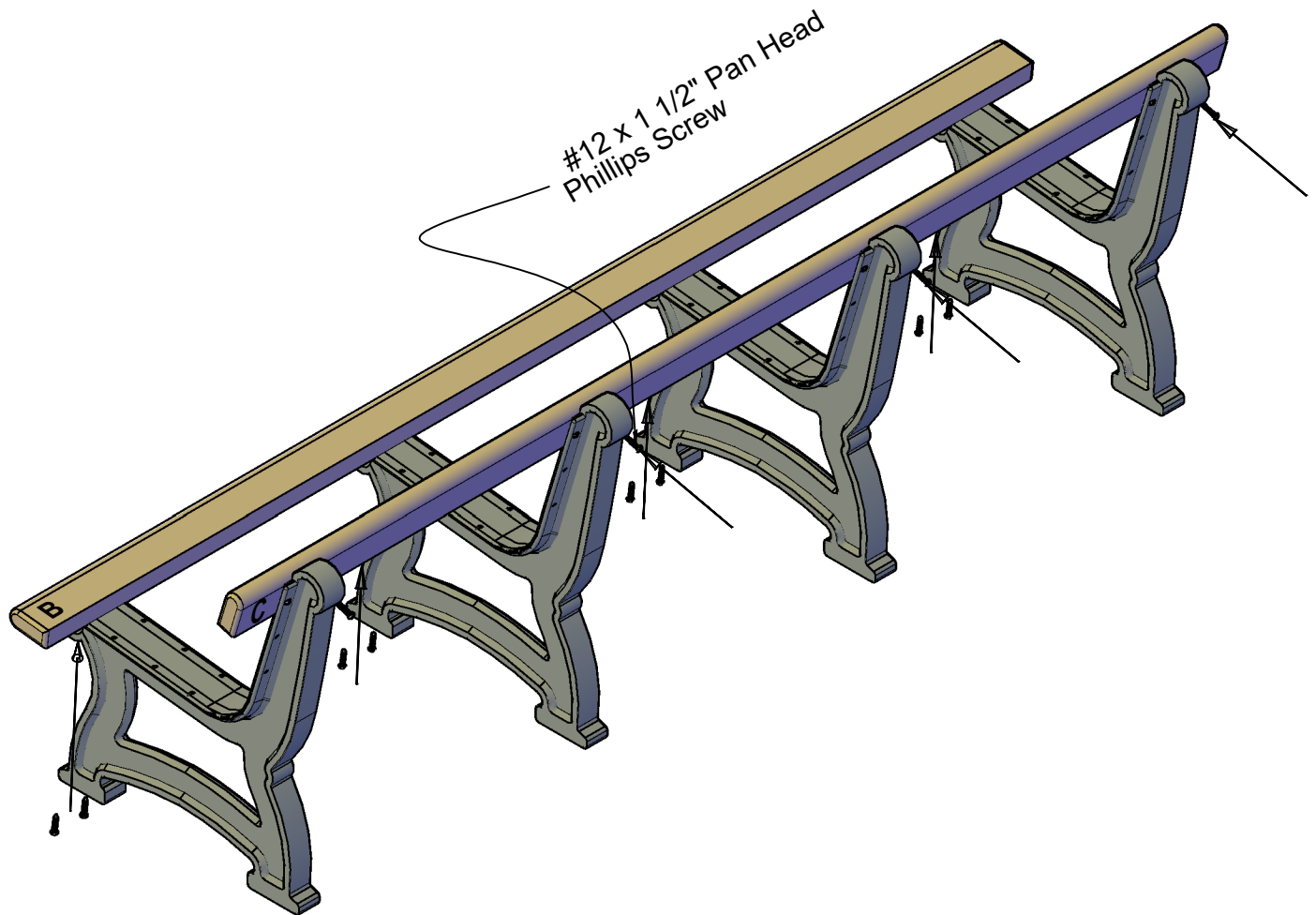
Stand the other bench ends upright and place the bench board already attached to the first bench end, on position **1** being sure to align the pilot holes to the pre-drilled holes in the bench end. After the holes are properly aligned, fasten with (1) One #12 x 1 1/2" Pan Head Phillips Screw in one of the top pre-drilled holes.

Note: Do not tighten screws completely. This will be done in a later step.

### Step #3:

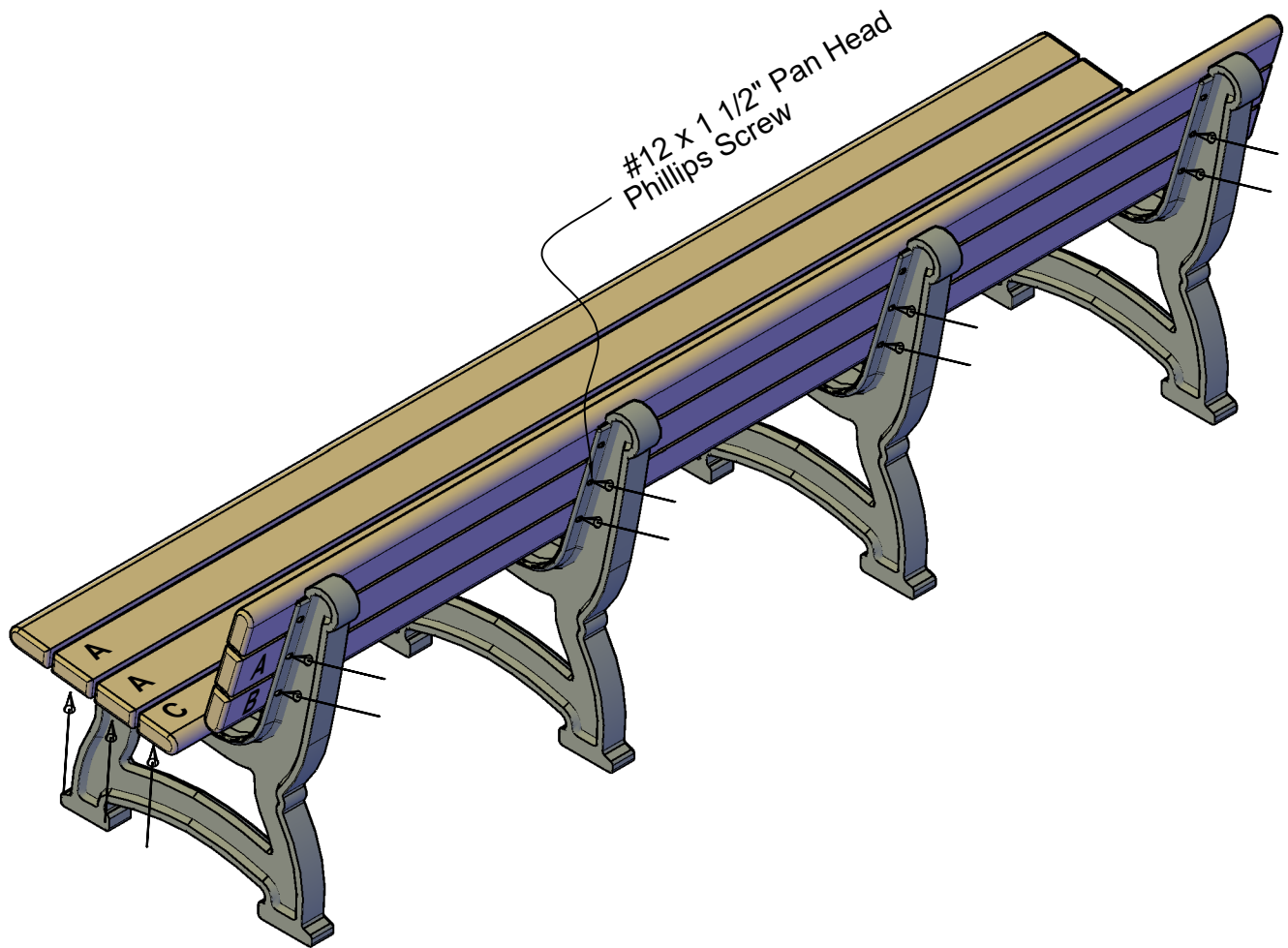
Align the remaining pilot holes to the pre-drilled holes in the bench end. After the holes are properly aligned, fasten with (1) One #12 x 1 1/2" Pan Head Phillips Screw per hole.

Note: Be sure to tighten screws completely after this step.



### Step #4:

Place a bullnose bench board **B** on position **7** making sure to keep the engraved reference letter on the same bench end as before. Repeat Steps 1 - 3 to attach. Use (1) One #12 x 1 1/2" Pan Head Phillips Screw per hole to fasten.



**Step #5:**

Repeat Steps 1 - 3 to attach bench boards on positions **2, 3, 4, 5 & 6** using the corresponding letter parts as shown and making sure to align the engraved reference letter to the same side of the bench as on previous bench boards. Use (1) One #12 x 1 1/2" Flat Head Phillips Screw per hole to fasten.

**Note:** Be sure to tighten **ALL** screws completely after this step.

DEAR VALUED CUSTOMER,

THANK YOU FOR PURCHASING THIS PRODUCT. THIS PRODUCT IS MANUFACTURED USING RECYCLED MATERIALS AND MAY HAVE SLIGHT COLOR VARIATIONS, OCCASIONAL SPECKS OF COLOR OR IRREGULAR SURFACE PATTERNS. THESE ARE NORMAL CONDITIONS OF RECYCLED PLASTICS AND MAKE EACH PIECE OF FURNITURE UNIQUE. THESE CHARACTERISTICS DO NOT AFFECT THE STRENGTH, QUALITY OR PERFORMANCE OF THE PRODUCT.

THANK YOU AGAIN FOR PURCHASING THIS PRODUCT AND HELPING OUR ENVIRONMENT.