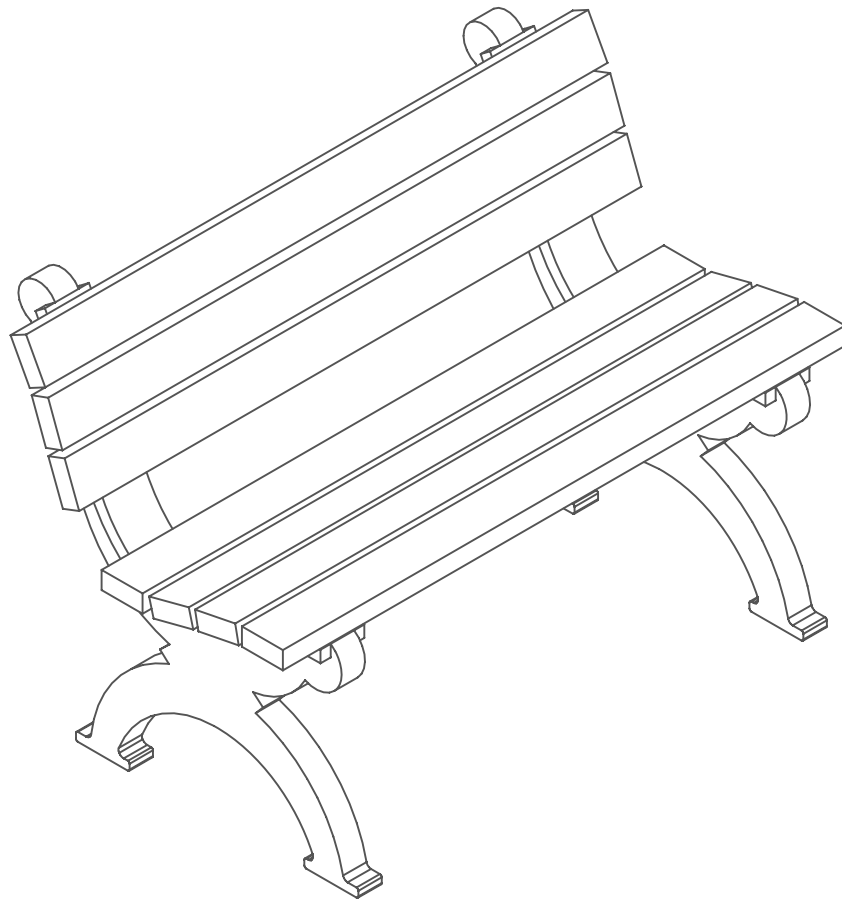


# 4 Foot Monarque Park Bench

For Fastener Pack  
(FP-MB4B-CU-01)



Congratulations !!

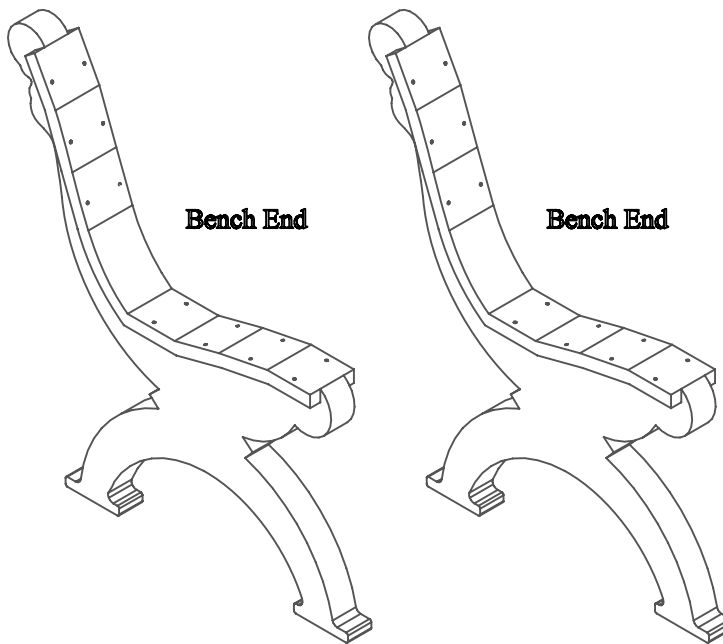
You have just purchased the finest recycled plastic  
park bench available. Enjoy !!!

Before assembly, please make sure all components are included.



( 1 ) - One Fastener Pack  
FP-MB4B-CU-01

FP - Fastener Pack



( 2 ) - Two Bench Ends  
PS-MBBE-A-01

· ·	A - Bench Board	· ·
· ·	A - Bench Board	· ·
· ·	A - Bench Board	· ·
· ·	A - Bench Board	· ·
· ·	A - Bench Board	· ·
· ·	A - Bench Board	· ·
· ·	A - Bench Board	· ·

( 7 ) - Seven Bench Boards  
BP-MB4B-A-01

Before assembly, please make sure all fasteners are included.

28 - #12 x 2" Pan Head Phillips Screw

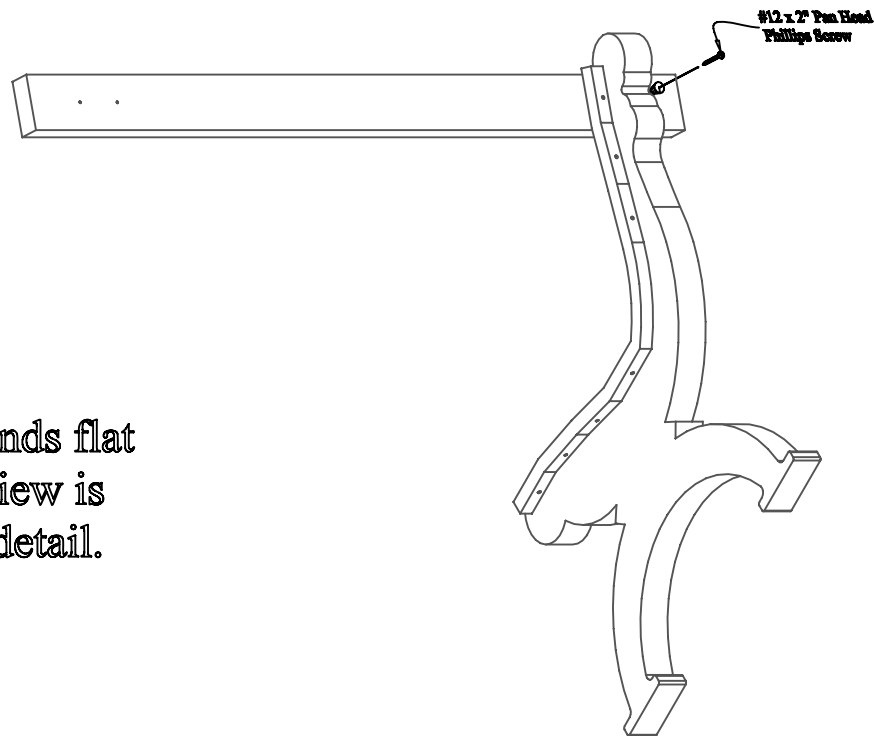
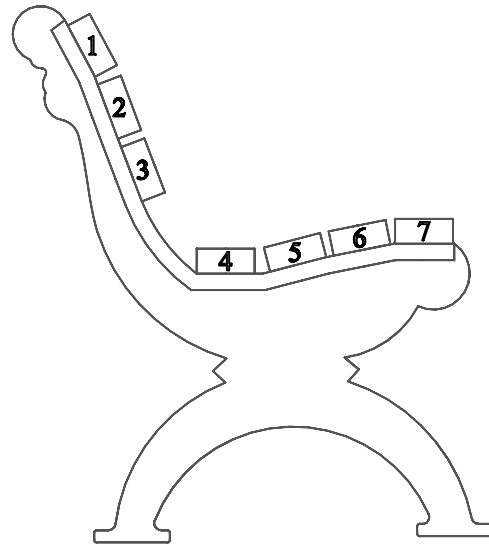


Also needed for this assembly will be the following materials:

1 - #3 Phillips Drive Bit

**Fig #1:**

In order to make the assembly of this Monarque Bench easier while going through the assembly process the board positions are numbered and will be referenced in later steps.



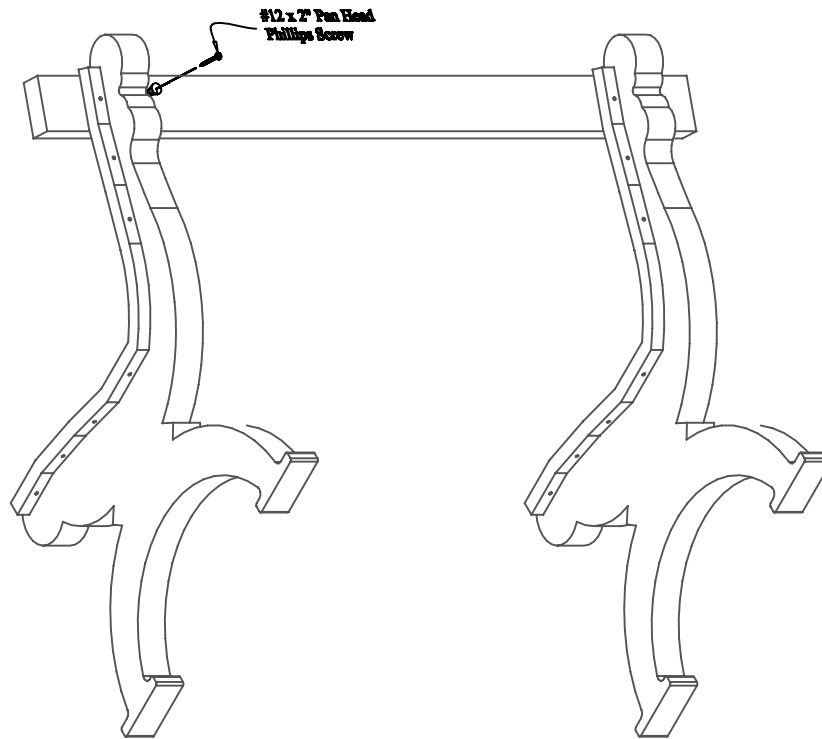
**Note:**

Stand bench ends flat on ground. View is only to show detail.

**Step #1:**

Stand (1) One bench end upright and place (1) One bench board on position 1 being sure to align the pilot holes to the pre-drilled holes in the bench end. After the holes are properly aligned, fasten with (1) One #12 x 2" Pan Head Phillips Screw in the pre-drilled hole on the right side of the bench end.

Note: Do not tighten screw completely. This will be done in a later step.



### Step #2:

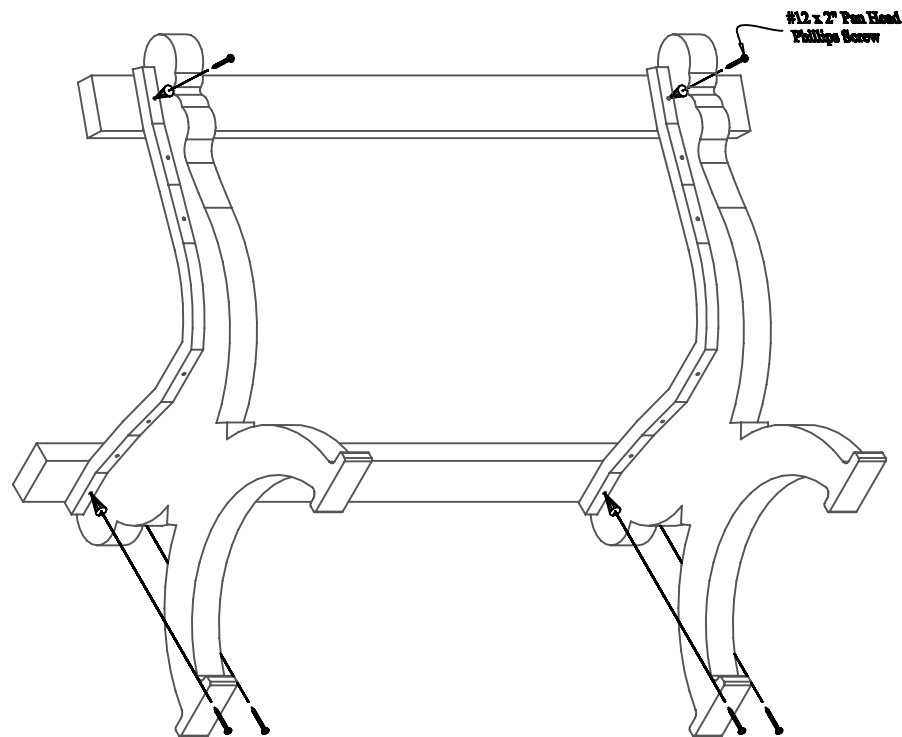
Stand the other bench end upright and place the bench board already attached to the first bench end, on position 1 being sure to align the pilot holes with the pre-drilled holes in the bench end. After the holes are properly aligned, fasten with (1) One #12 x 2" Pan Head Phillips Screw in the pre-drilled hole on the right side of the bench end.

Note: Do not tighten screws completely. This will be done in a later step.

### Step #3:

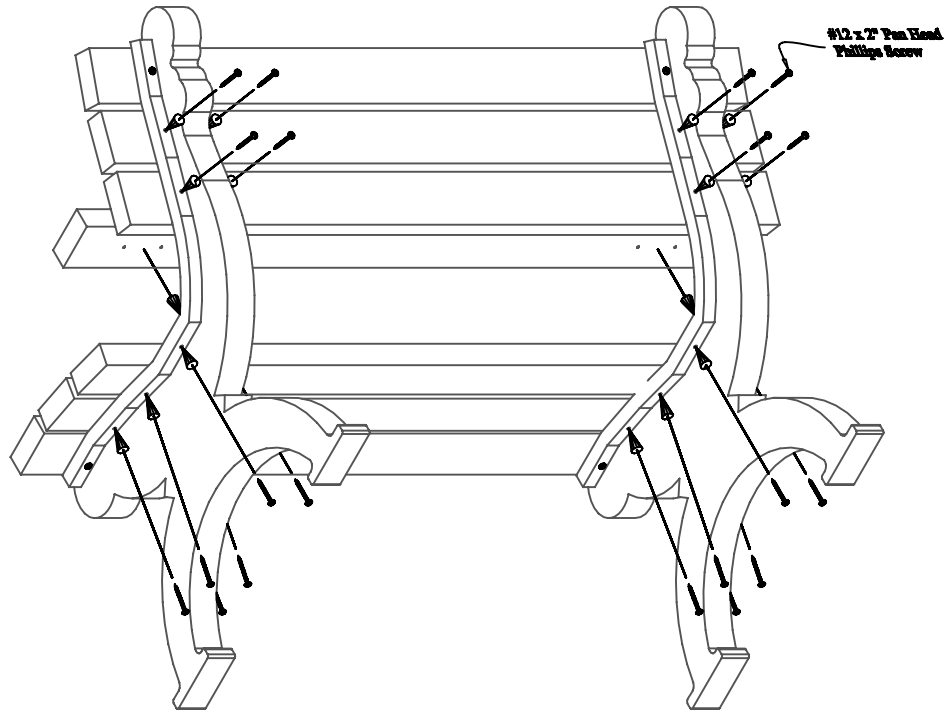
Align the pilot holes on the bench board to the pre-drilled holes on the left side of the bench ends. After the holes are properly aligned, fasten with (1) One #12 x 2" Pan Head Phillips Screw per bench end.

Note: Be sure to tighten screws completely after this step.



### Step #4:

Place a second bench board (A) on position 7. Repeat Steps 1 - 3 to attach. Use (1) One #12 x 2" Pan Head Phillips Screw per hole to fasten.



**Step #5:**

Repeat Steps 1 - 3 to attach bench boards (A) on positions 2, 3, 4, 5 & 6.  
Use (1) One #12 x 2" Pan Head Phillips Screw per hole to fasten.