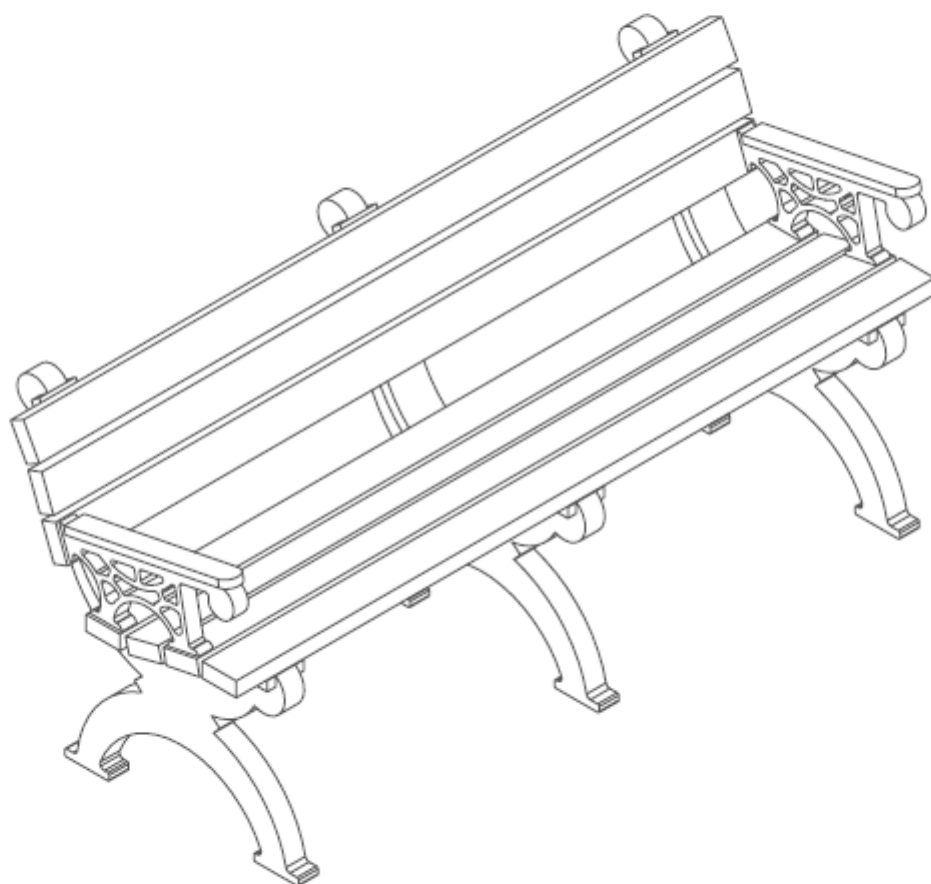


# 6 Foot Monarque Bench with Arms

For Fastener Pack  
(FP-MB6BA-CU-01)



Congratulations ! !

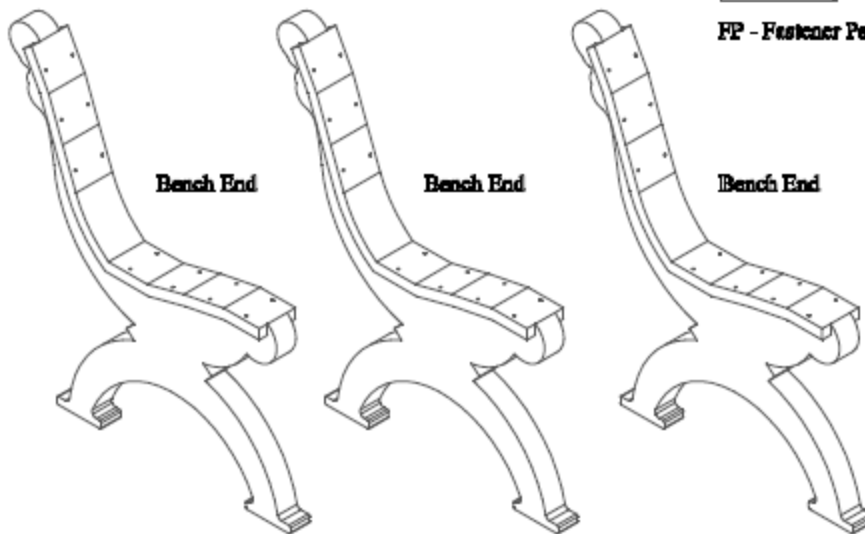
You have just purchased the finest recycled plastic  
park bench available. Enjoy ! ! !

Before assembly, please make sure all components are included.



(1) - One Fastener Pack  
FP-MB6BA-CU-01

FP - Fastener Pack



(3) - Three Bench Ends  
PS-MBBE-M-01

|         |                             |       |         |
|---------|-----------------------------|-------|---------|
| o . . . | D - Bench Board w/ Arm Hole | . . . | . . . o |
| o . . . | D - Bench Board w/ Arm Hole | . . . | . . . o |
| o . . . | D - Bench Board w/ Arm Hole | . . . | . . . o |

(3) - Three Bench Boards w/ Arm Holes  
BP-MB6BA-A-01

|       |                 |       |       |
|-------|-----------------|-------|-------|
| . . . | A - Bench Board | . . . | . . . |
| . . . | A - Bench Board | . . . | . . . |
| . . . | A - Bench Board | . . . | . . . |
| . . . | A - Bench Board | . . . | . . . |

(4) - Four Bench Boards  
BP-MB6B-A-01

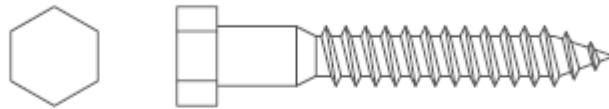


(2) - Two Arms  
BSA-MBA-01

FS-MB6BA-CAP-01

Before assembly, please make sure all fasteners are included.

6 - 3/8" x 2 1/2" Hex Head Lag Bolt



6 - 3/8" Flat Washer



42 - #12 x 2" Pan Head Phillips Screw



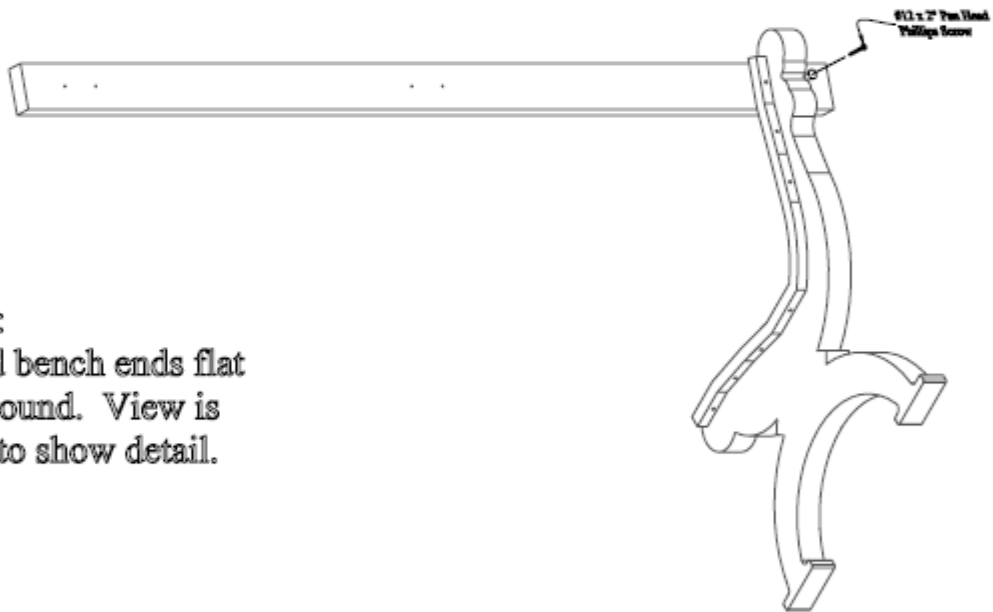
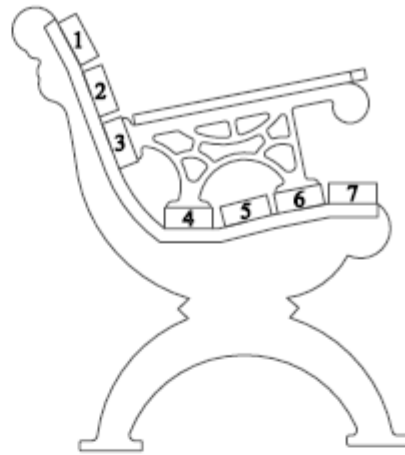
Also needed for this assembly will be the following materials:

1 - 9/16" Socket Wrench

1 - #3 Phillips Drive Bit

**Fig #1:**

In order to make the assembly of this Monarque Bench with Arms easier while going through the assembly process the board positions are numbered and will be referenced in later steps.



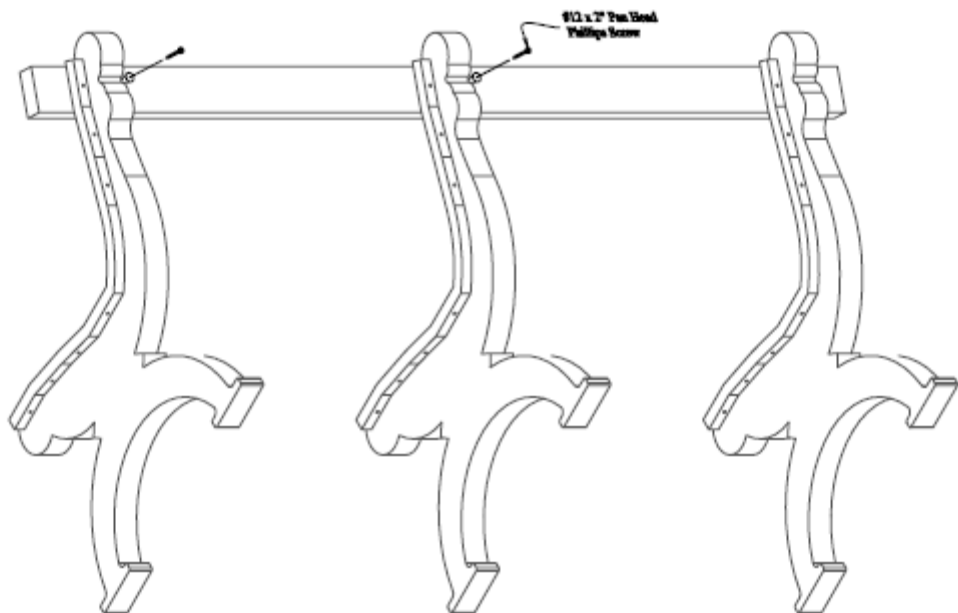
**Note:**

Stand bench ends flat on ground. View is only to show detail.

**Step #1:**

Stand (1) One bench end upright and place (1) One bench board (A) on position 1 being sure to align the pilot holes to the pre-drilled holes in the bench end. After the holes are properly aligned, fasten with (1) One #12 x 2" Pan Head Phillips Screw in the pre-drilled hole on the right side of the bench end.

Note: Do not tighten screw completely. This will be done in a later step.



### Step #2:

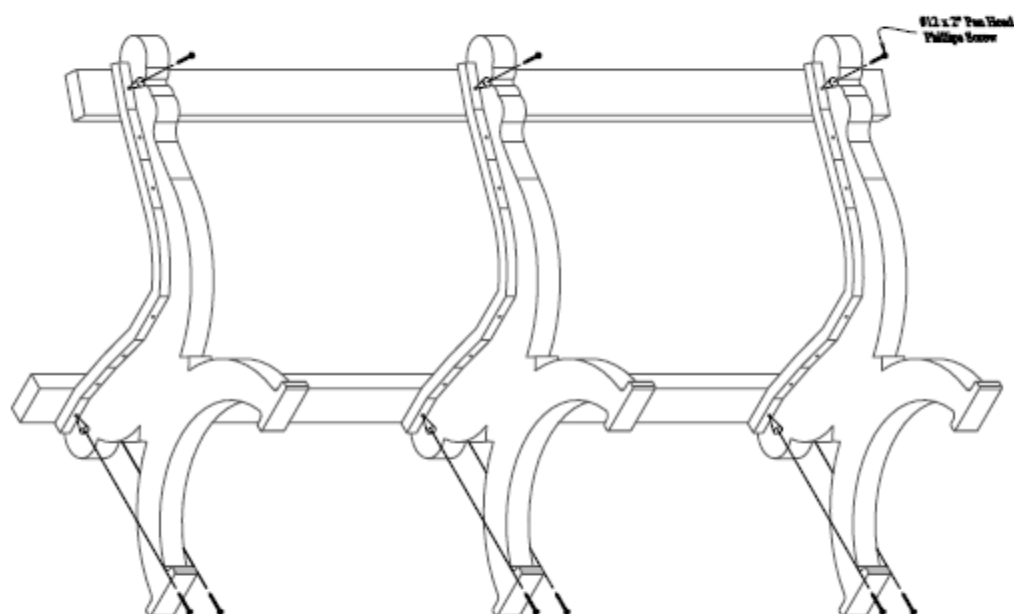
Stand the other (2) Two bench ends upright, one at a time, and place the bench board already attached to the first bench end, on position 1 being sure to align the pilot holes with the pre-drilled holes in the bench end. After the holes are properly aligned, fasten with (1) One #12 x 2" Pan Head Phillips Screw in the pre-drilled hole on the right side of the bench end.

Note: Do not tighten screws completely. This will be done in a later step.

**Step #3:**

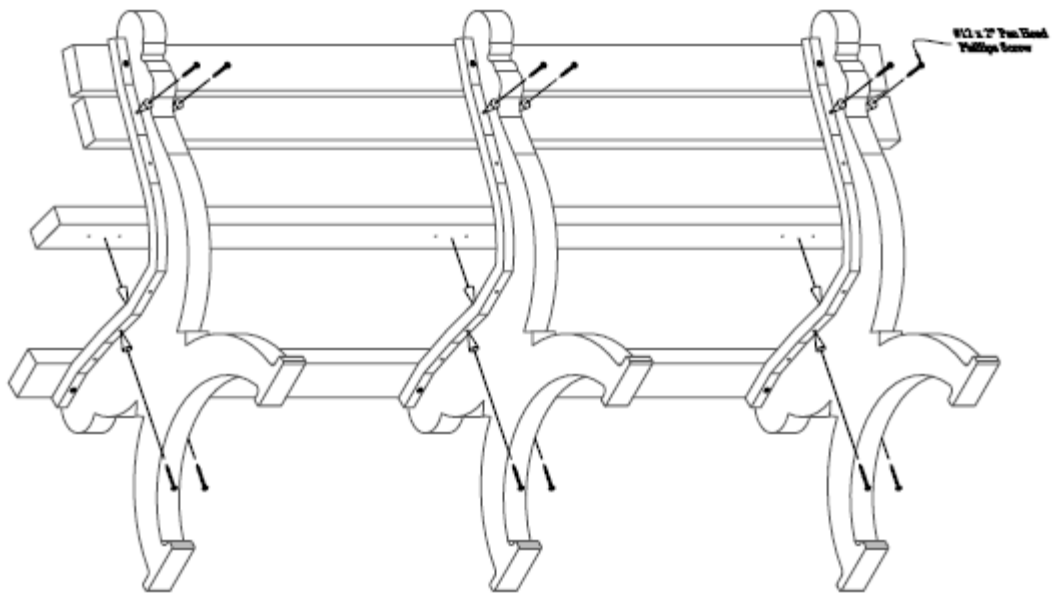
Align the pilot holes on the bench board to the pre-drilled holes on the left side of the bench ends. After the holes are properly aligned, fasten with (1) One #12 x 2" Pan Head Phillips Screw per bench end.

**Note:** Be sure to tighten screws completely after this step.



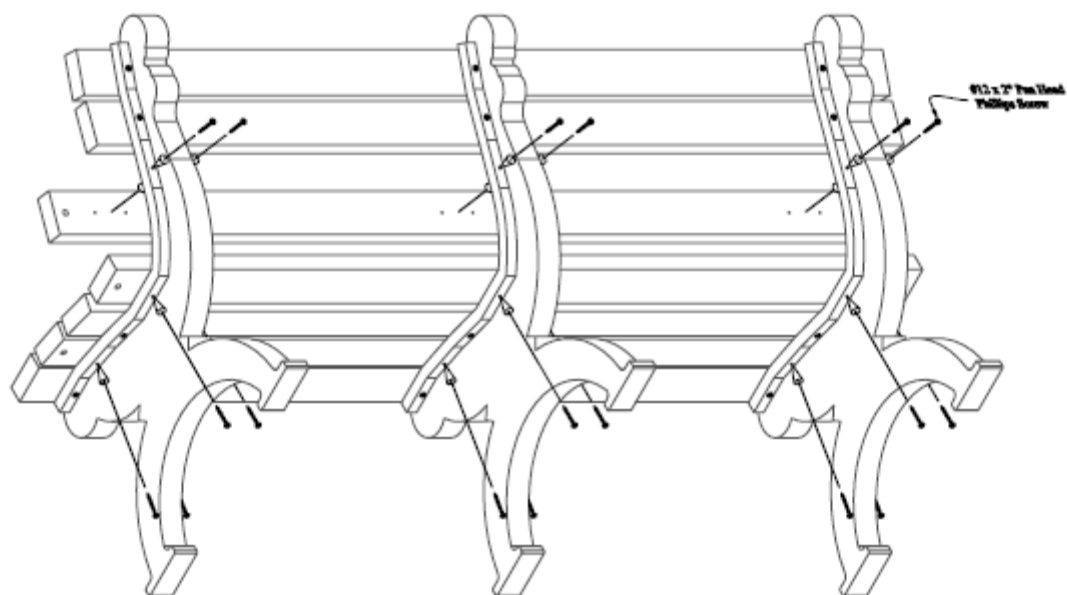
**Step #4:**

Place a second bench board (A) on position 7. Repeat Steps 1 - 3 to attach. Use (1) One #12 x 2" Pan Head Phillips Screw per hole to fasten.



**Step #5:**

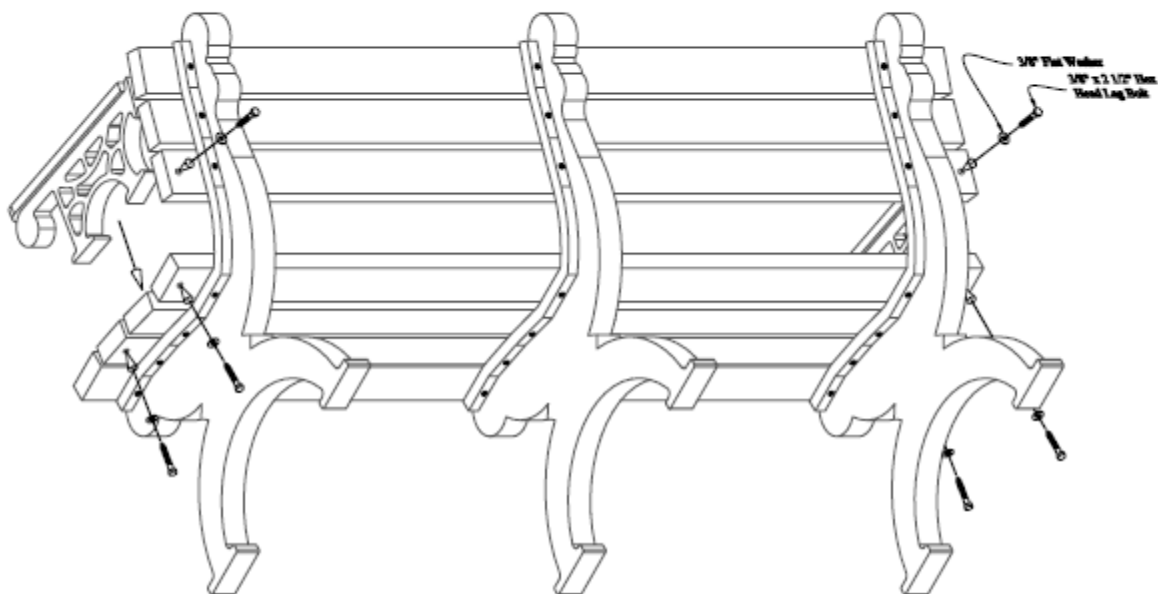
Repeat Steps 1 - 3 to attach bench boards (A) on positions 2 & 5. Use (1) One #12 x 2" Pan Head Phillips Screw per hole to fasten.



**Step #6:**

Repeat Steps 1 - 3 to attach bench boards with arm holes (B) on positions 3, 4 & 6. Use (1) One #12 x 2" Pan Head Phillips Screw per hole to fasten.





**Step #7:**

Place the arms on the bench boards fastened to positions 3, 4 & 6. Align the pre-drilled holes on the bench boards with the pilot holes in the arms. After the holes are properly aligned, fasten with (3) Three 3/8" Flat Washers along with (3) Three 3/8" x 2 1/2" Hex Head Lag Bolts.