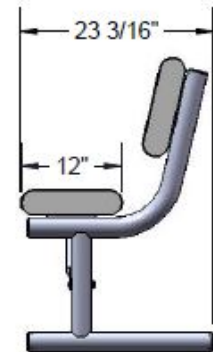
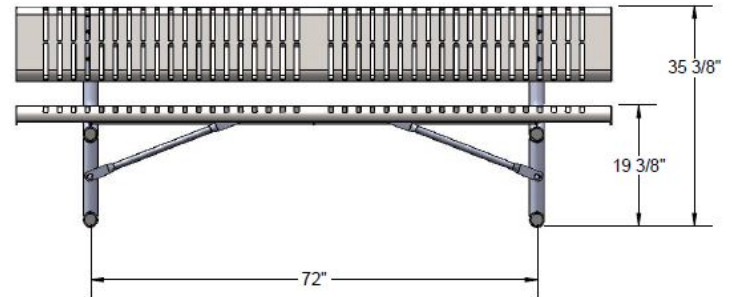
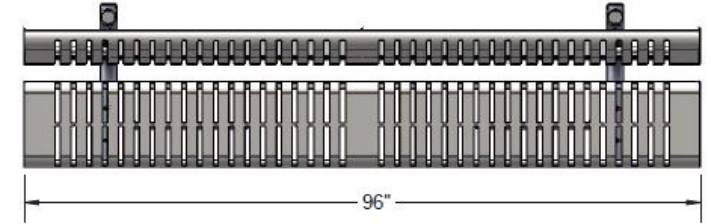
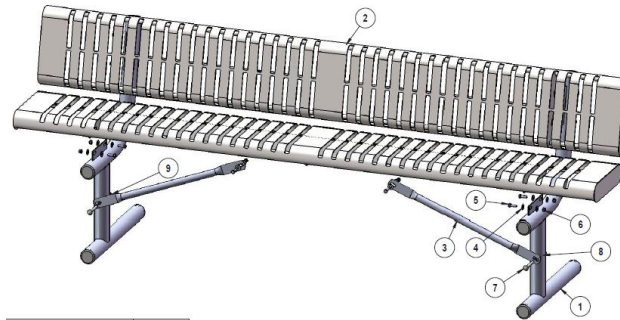
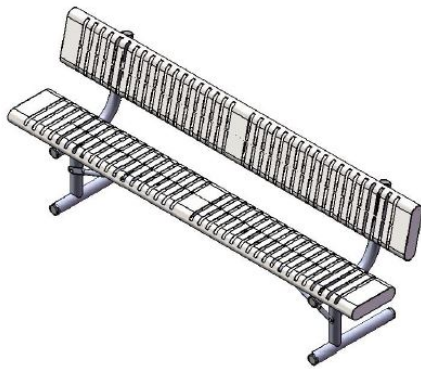
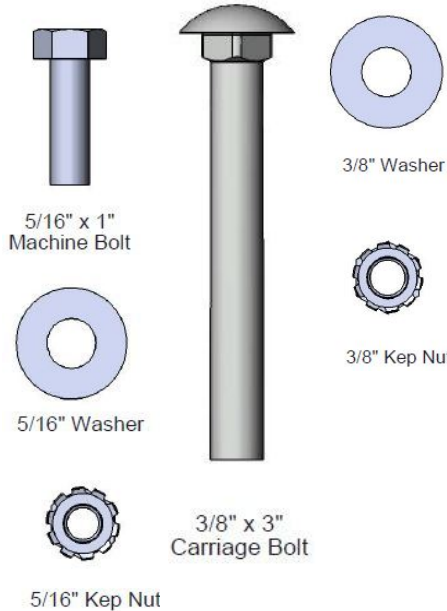


## Parts List

## Dimensions



### Hardware Included



ITEM NO.	PartNo	DESCRIPTION	QTY.
1	P-V940P	940P Vinyl Leg	2
2	SR96-S	8' slat rolled seat	2
3	P-01-04-0129	26 3/4" Brace	2
4	33-02-0007	5/16" SS Washer	20
5	33-05-0029	5/16" x 1" Machine Bolt (SS)	10
6	33-03-0012	5/16" Kep Nut (SS)	10
7	33-06-0058	3/8" x 3" Carriage Bolt (SS)	2
8	33-02-0008	3/8" Flat Washer (SS)	2
9	33-03-0013	3/8" Kep Nut (SS)	2

Warranty: 5 Year Limited Warranty on Thermoplastic coated elements. OCC Outdoors guarantees all items for one full year to be free of defects in workmanship or materials when installed and maintained properly. We agree to repair or replace any items determined to be defective. Items specifically not covered by this warranty include vandalism, man-made or natural disasters, lack of maintenance, normal weathering or wear and tear due to public abuse.

#### NOTES:

1. INSTALLATION TO BE COMPLETED IN ACCORDANCE WITH MANUFACTURER'S SPECIFICATIONS.
2. ALL DIMENSIONS ARE CONSIDERED TRUE AND REFLECT MANUFACTURER'S SPECIFICATIONS
3. DO NOT SCALE DRAWING.

This document contains OCC Outdoors Proprietary Information. No intellectual copyright or license is granted by OCC Outdoors in connection with it. It is delivered on the express condition that the document and the information contained in it shall be treated as confidential, shall not be used for and purpose other than that for which it is hereby delivered (the use and maintenance of the product supplied). It shall not be disclosed in whole or part to third parties and shall not be duplicated in any manner without OCC Outdoors's prior approval.

### OCC Outdoors Products

PH: 1-800-821-7670  
 EMAIL - [occontact@occoutdoors.com](mailto:occontact@occoutdoors.com)  
 Fax: 1-317-862-9422

Part #: OCC-940P-SR8

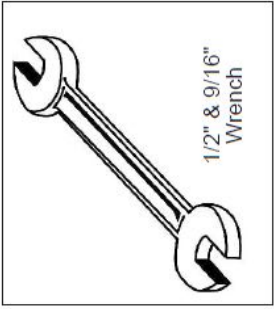
Date: 02/11/2021

8 foot Portable slat style park bench with thermoplastic finish

Page 1 of 2

# Installation Instructions

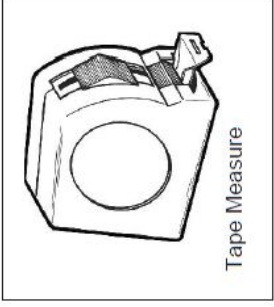
## Tools Required:



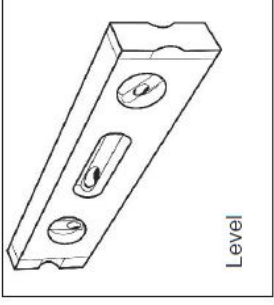
1/2" & 9/16"  
Wrench



1/2" & 9/16"  
Socket Wrench

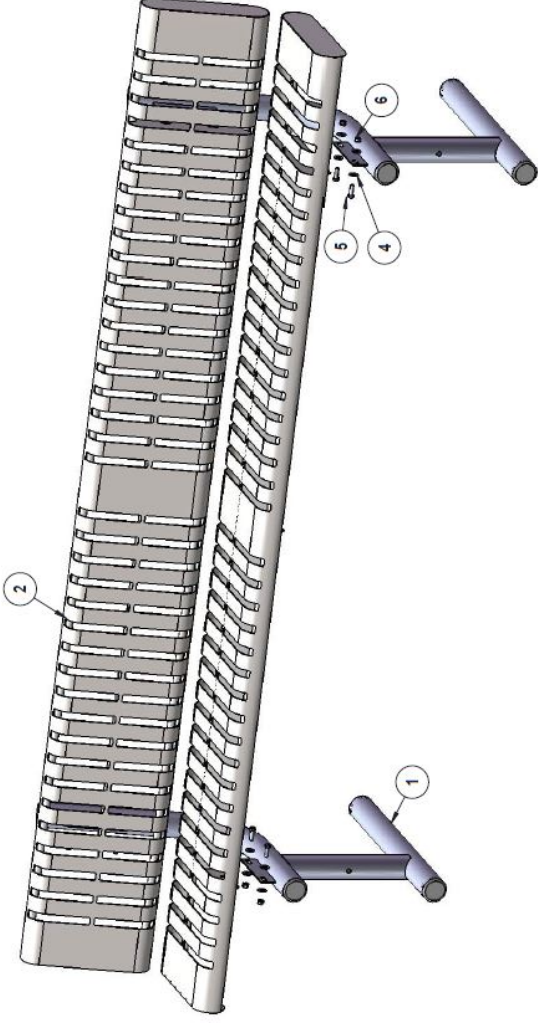


Tape Measure



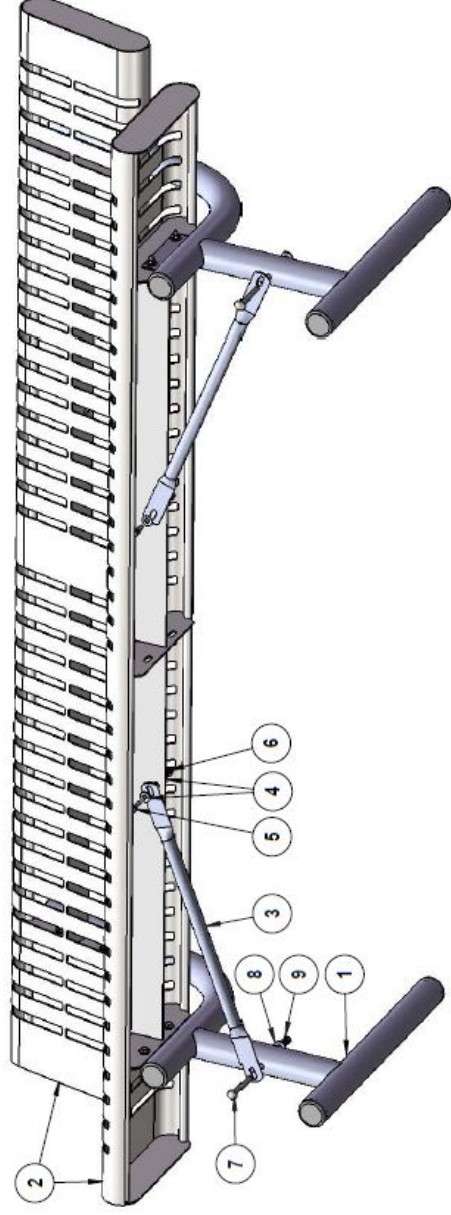
Level

## Step 1:



Attach the 8' Slat Seat & Back to the 940 legs using the specified hardware.

## Step 2:



Attach the 26-3/4" braces to the 8' seat and 940 legs as shown using specified hardware.