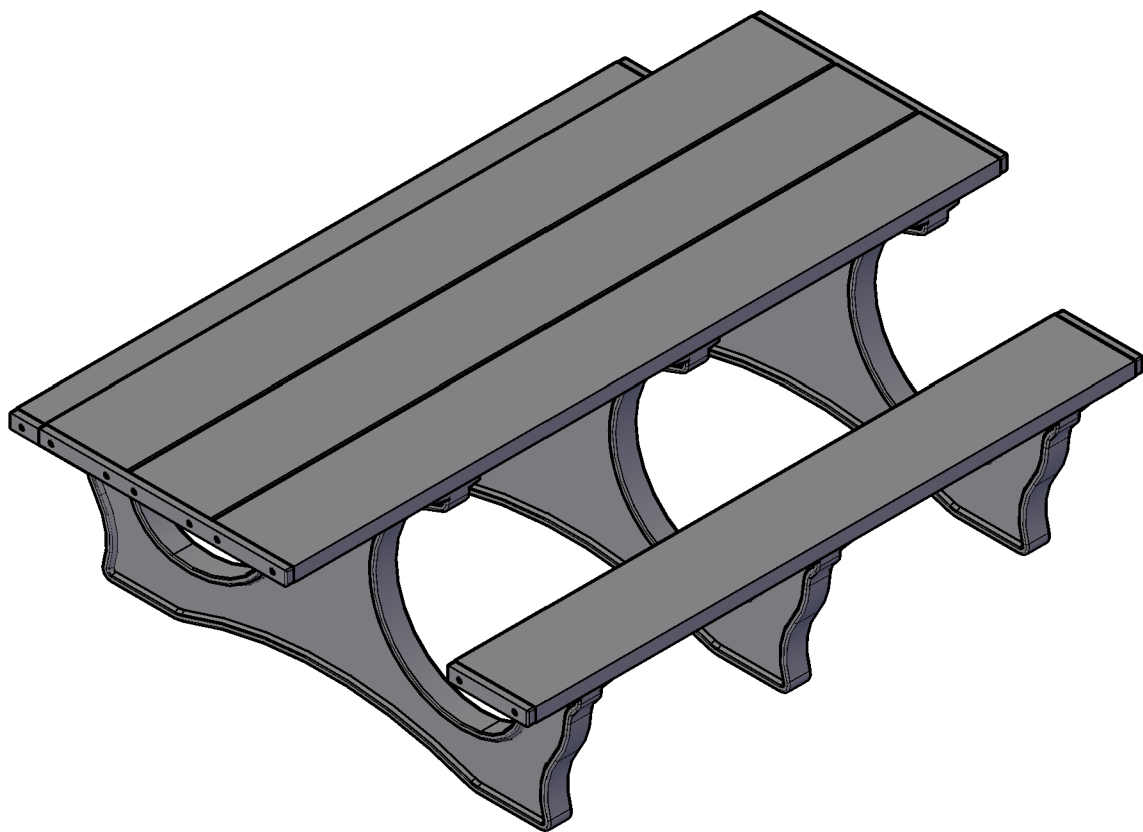


Polly Tuff Easy Access Handi-cap Picnic Table

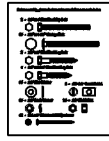
For Fastener Pack
(FP-PTEAHA-CU-02)



Congratulations ! !

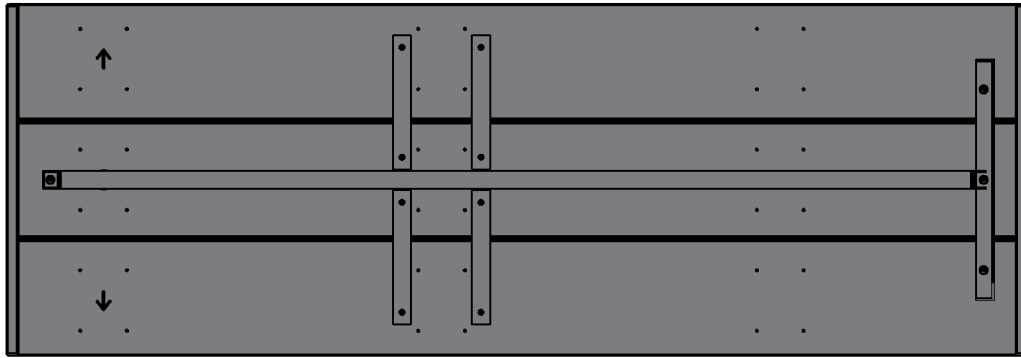
**You have just purchased the finest recycled plastic
picnic table available. Enjoy ! ! !**

Before assembly, please check to make sure all components are included.

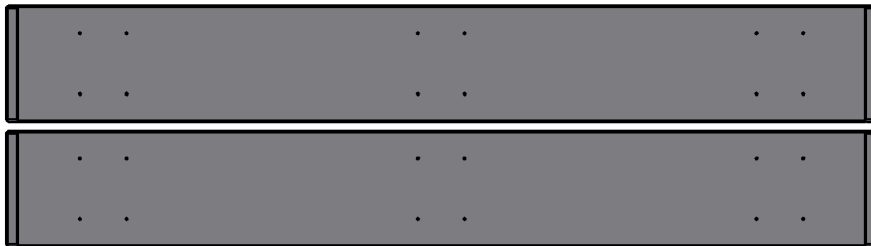


(1) - One Fastener Pack
FP-PTEAHA-CU-01

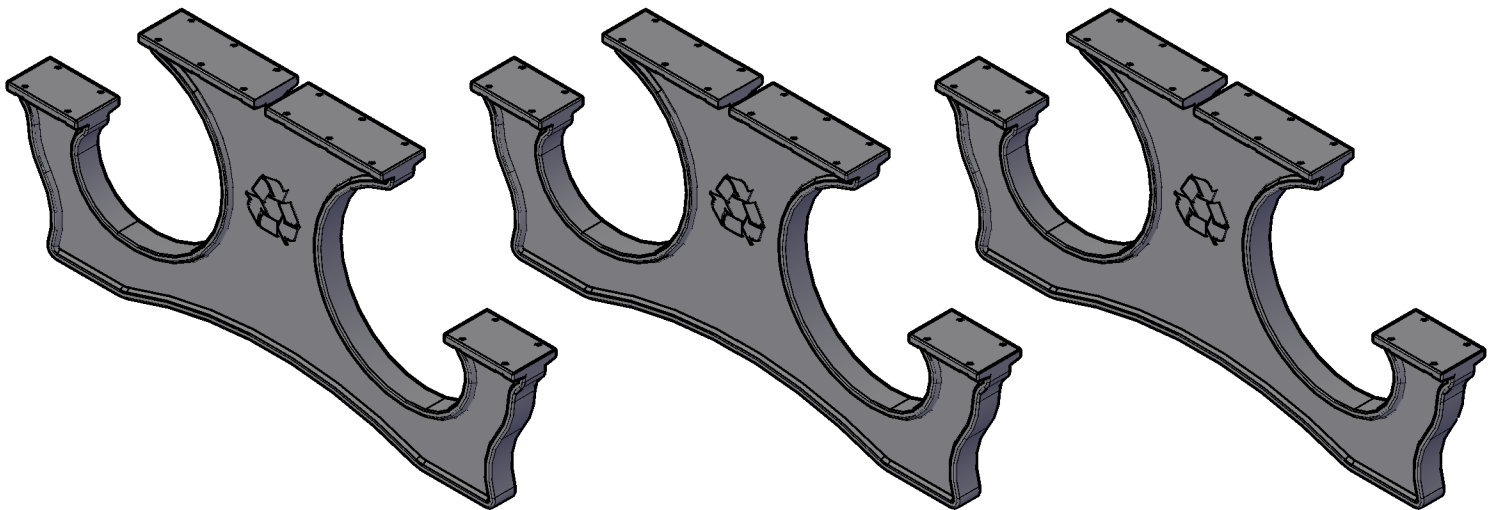
FP - Fastener Pack



(1) - One Table Top
STSA-PTEAHA-A-03



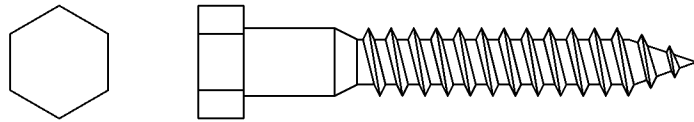
(2) - Two Seat Boards
STSA-PTEAHA-B-01



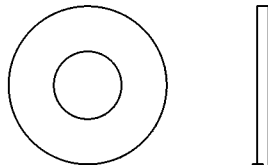
(3) - Three Molded Table Legs
PS-EA-HA-00

Before assembly, please check to make sure all fasteners are included.

60 - 1/4" x 1-3/4" Hex Head Lag Screw



60 - 1/4" Flat Washer



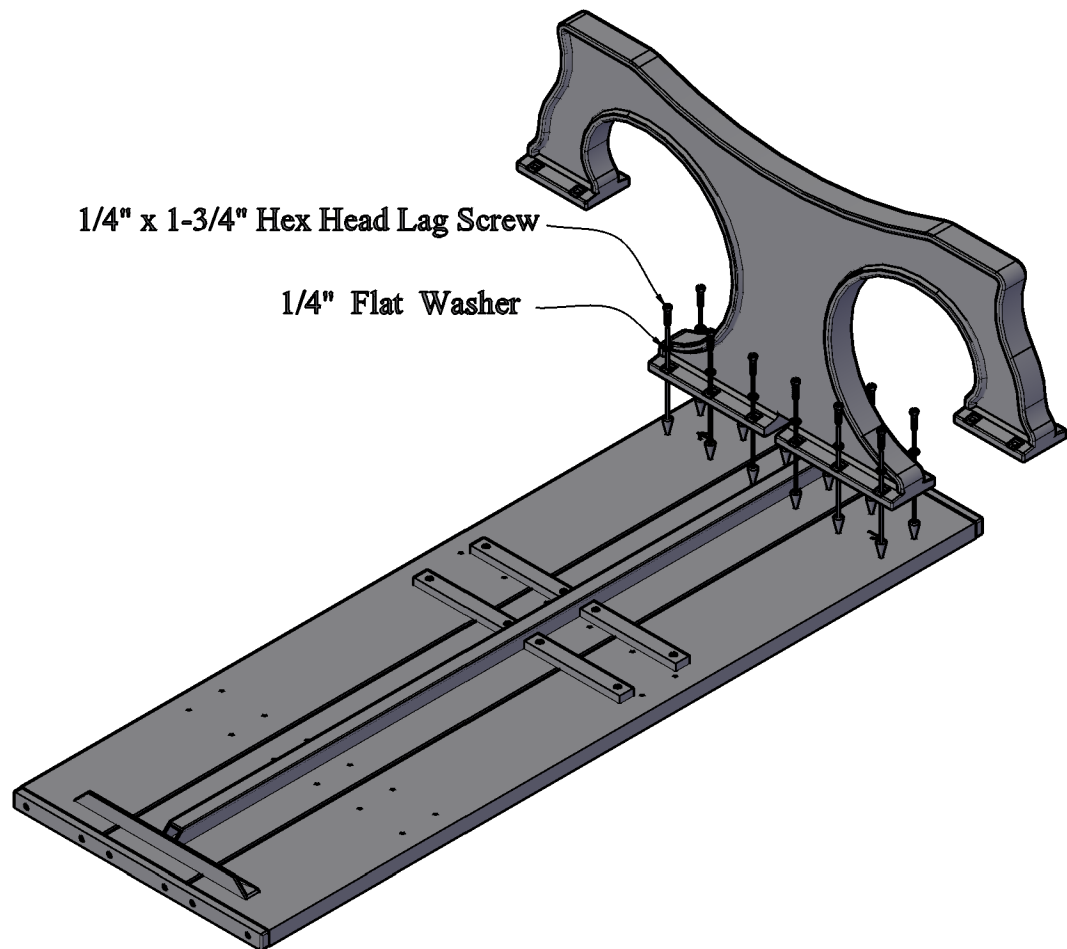
Note: It is recommended you use an impact driver or a screw gun.

Also needed for this assembly will be the following materials:

(1) - 7/16 " Socket Wrench or 7/16" Box End Wrench

***IMPORTANT NOTICE*:**

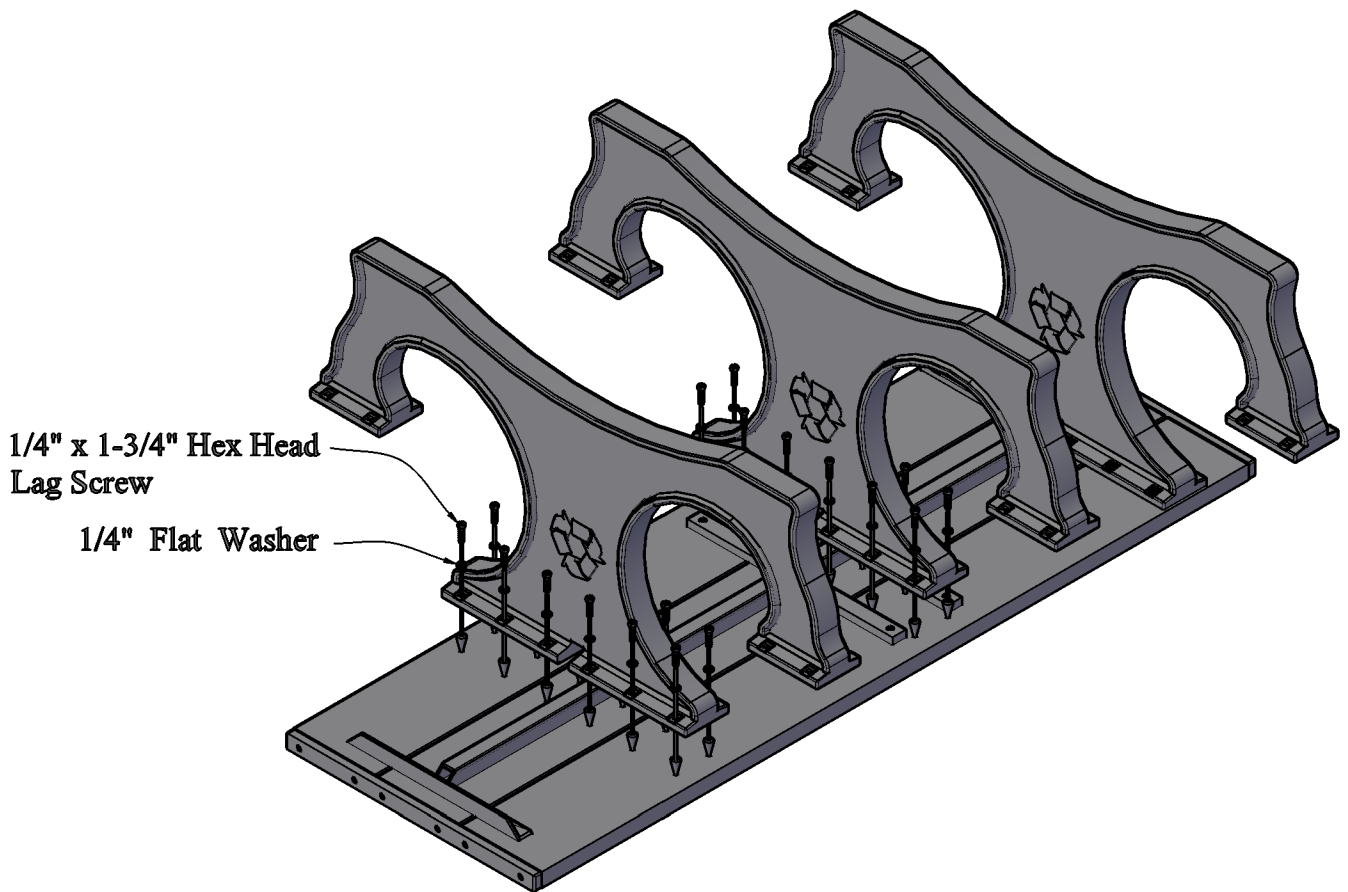
- DO NOT OVER-TIGHTEN SCREWS.
- USE A DRILL WITH ADJUSTABLE TORQUE FOR BEST RESULTS.
- OVER-TIGHTENING WILL RESULT IN STRIPPING OUT THE PILOT HOLE, AND SCREW WILL "SINK" INTO THE PLASTIC WHICH MAY CAUSE A STRESS FRACTURE.



Step: #1

Place the Table Top assembly upside down onto a piece of cardboard or another soft level surface to protect it during installation. Place one Molded Leg on the Table top as shown above. Align the pre-drilled holes in the Molded Leg with the pilot holes in the Table top. Use (1) One 1/4" x 1-3/4" Lag Screw and (1) - One 1/4" Flat Washer per hole to secure.

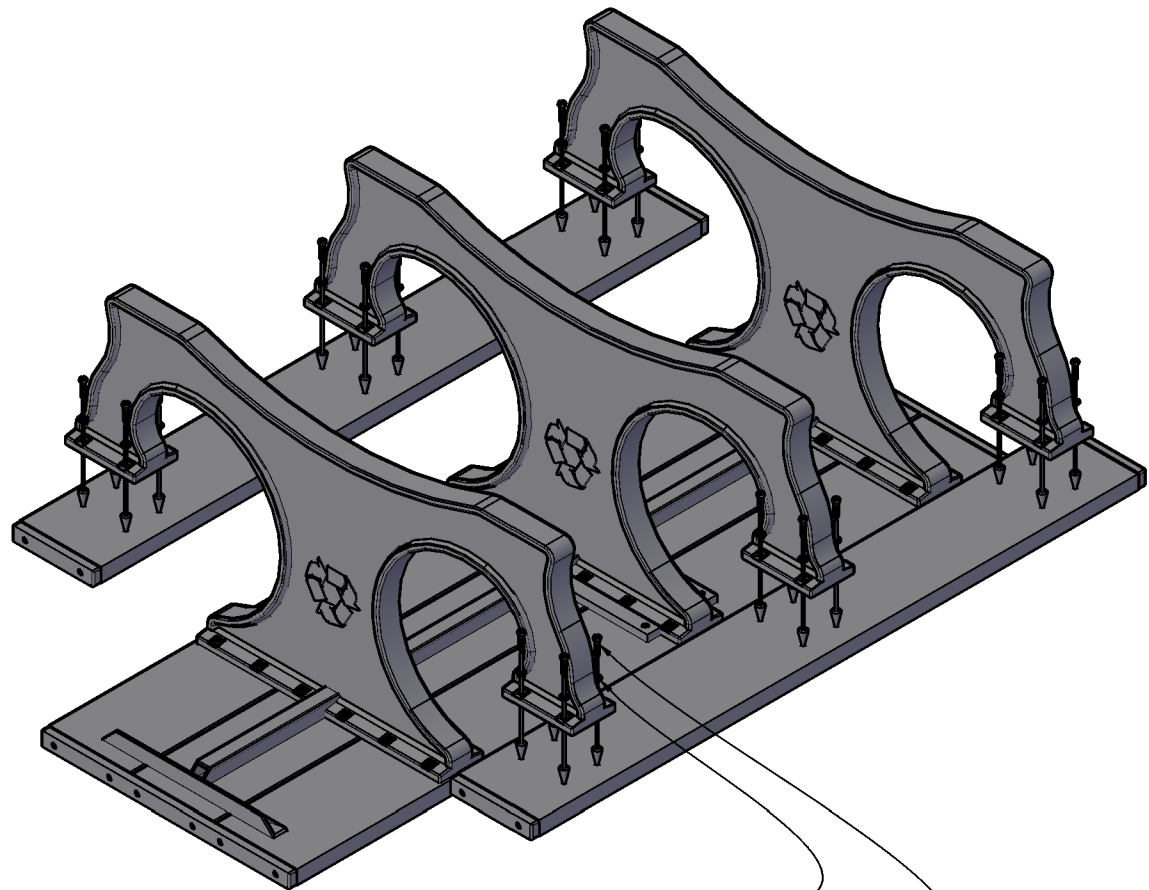
Note: Do not tighten bolts completely. This will be done in a later step.



Step: #2

Place the remaining Molded Table Legs in position as shown above being sure to align the pre-drilled holes to the pilot holes in the Table top. After the holes are properly aligned, fasten with (1) - One 1/4" x 1-3/4" Lag Screw and (1) - One 1/4" Flat Washer per hole to secure.

Note: Do not tighten bolts completely. This will be done at a later step.



1/4" Flat Washer

1/4" x 1-3/4" Hex Head Lag Screw

Step:#3

Place the Seat Boards in position as shown above being sure to align the pilot holes to the pre-drilled holes in the Molded Table Legs. After the holes are properly aligned, fasten with (1) - One 1/4" x 1-3/4" Lag Screw and (1) - One 1/4" Flat Washer per hole to secure.

Note: Be sure to tighten all fasteners after completing this step. Please use caution to not over tighten the fasteners.

DEAR VALUED CUSTOMER,

THANK YOU FOR PURCHASING THIS PRODUCT. THIS PRODUCT IS MANUFACTURED USING RECYCLED MATERIALS AND MAY HAVE SLIGHT COLOR VARIATIONS, OCCASIONAL SPECKS OF COLOR OR IRREGULAR SURFACE PATTERNS. THESE ARE NORMAL CONDITIONS OF RECYCLED PLASTICS AND MAKE EACH PIECE OF FURNITURE UNIQUE. THESE CHARACTERISTICS DO NOT AFFECT THE STRENGTH, QUALITY OR PERFORMANCE OF THE PRODUCT.

THANK YOU AGAIN FOR PURCHASING THIS PRODUCT AND HELPING OUR ENVIRONMENT.