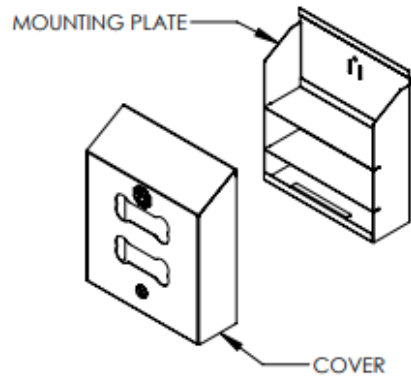
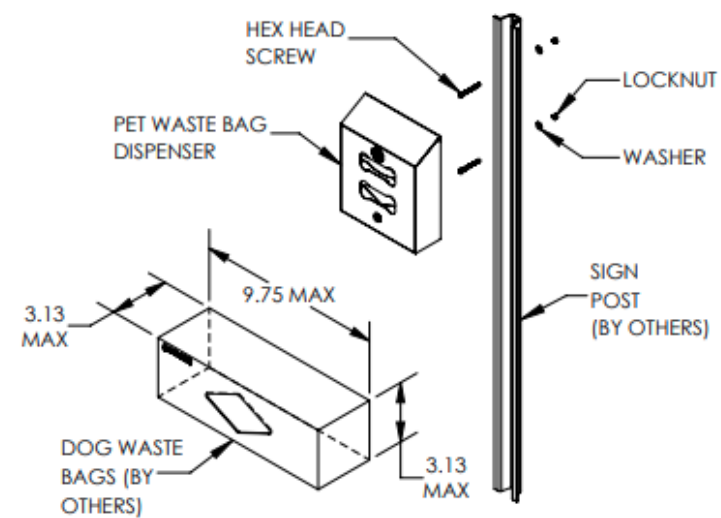
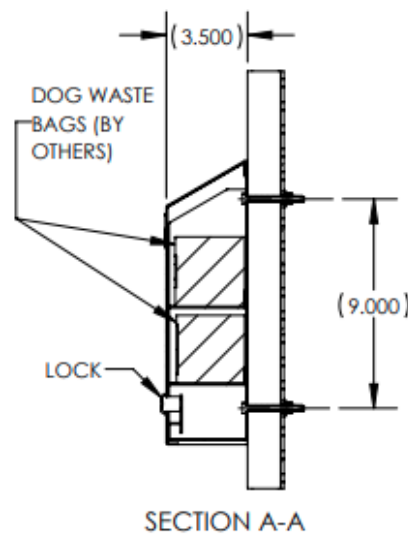
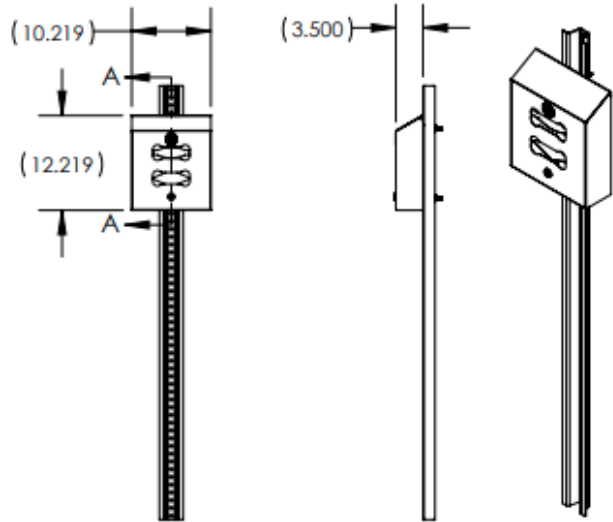
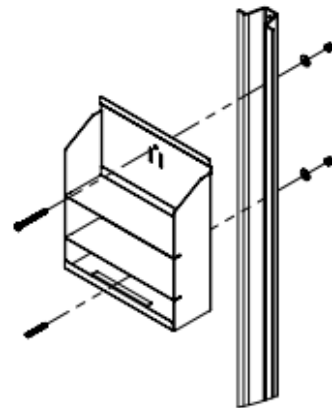


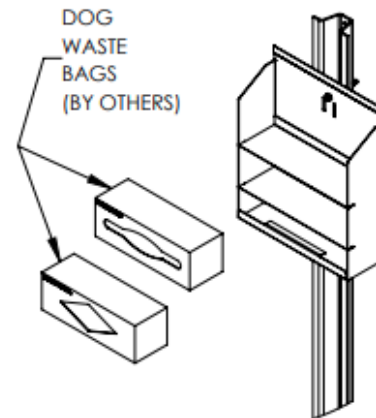
PWBD-2 INSTALLATION INSTRUCTIONS



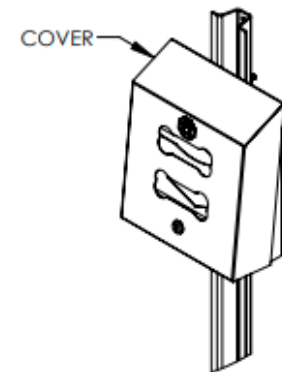
STEP 1
PREPARE FOR INSTALLATION. REMOVE PET WASTE BAG DISPENSER FROM THE BOX AND SEPARATE COVER FROM MOUNTING PLATE.



STEP 2
ATTACH MOUNTING PLATE TO STREET U-CHANNEL POST WITH PROVIDED HARDWARE.



STEP 3
INSERT DOG WASTE BAGS INTO DESIGNATED COMPARTMENTS



STEP 4
HOOK-ON COVER OVER MOUNTING PLATE AND LOCK IT IN PLACE