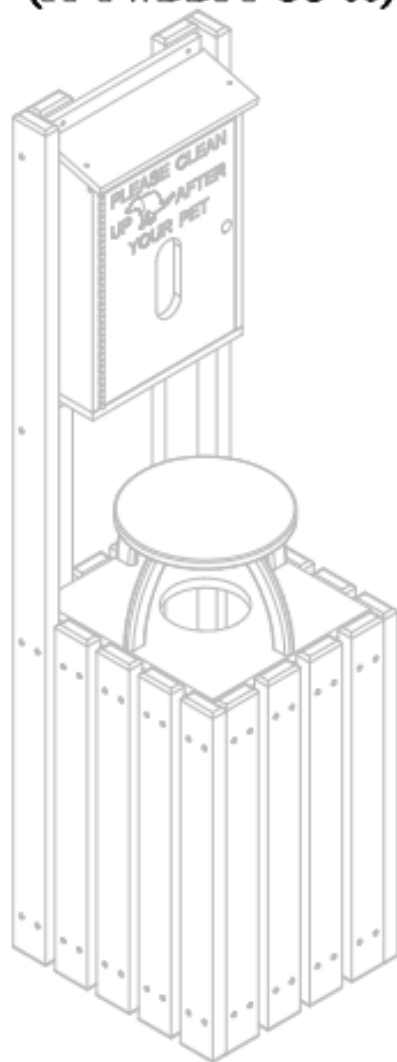


Pet Waste Doggie Depot Receptacle w/Bag Dispenser

For Fastener Pack
(FP-PWDDPT-CU-00)



Congratulations !!

**You have just purchased the finest recycled plastic
Pet Waste Receptacle available. Enjoy !!!**

FS-PWDDPT-CAP-00

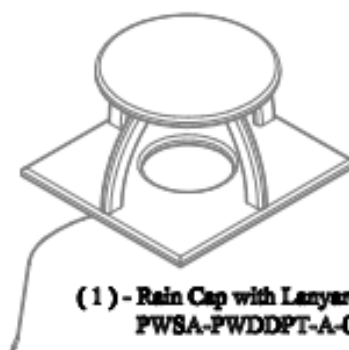
Before assembly, please make sure all components are included.



(1) - One Fastener Pack
FP-PWDDPT-CU-00



(1) - Pet Waste Bag Dispenser
ASM-PWBD-00



(1) - Rain Cap with Lanyard
PWSA-PWDDPT-A-00



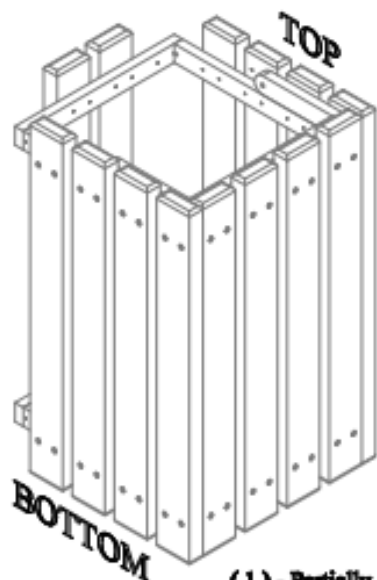
(1) - One Left Vertical Slat Sub-Assembly with Pilot Holes for Bag Dispenser
PWSA-PWDDPT-B-00



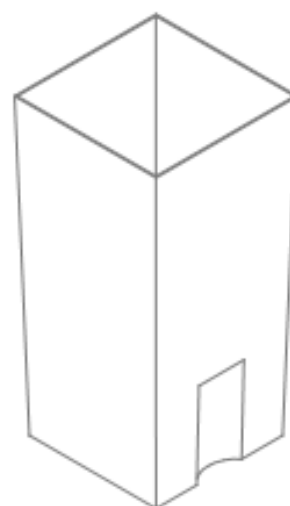
(1) - One Right Vertical Slat Sub-Assembly with Pilot Holes for Bag Dispenser
PWSA-PWDDPT-C-00



(1) - One Bag Holder
TRSA-EMT22-B-01



(1) - Partially Assembled Receptacle
PWSA-PWDDPT-D-00



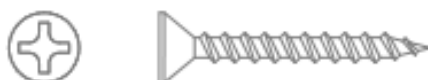
(1) - Receptacle Liner
LINER-EMT22

Before assembly, please make sure all fasteners are included.

12 - #12 x 1-3/4" Flat Head Phillips Screw



4 - #12 x 1-1/2" Flat Head Phillips Screw



2 - #12 x 1-1/2" Pan Head Phillips Screw



4 - 1/4" Flat Washer



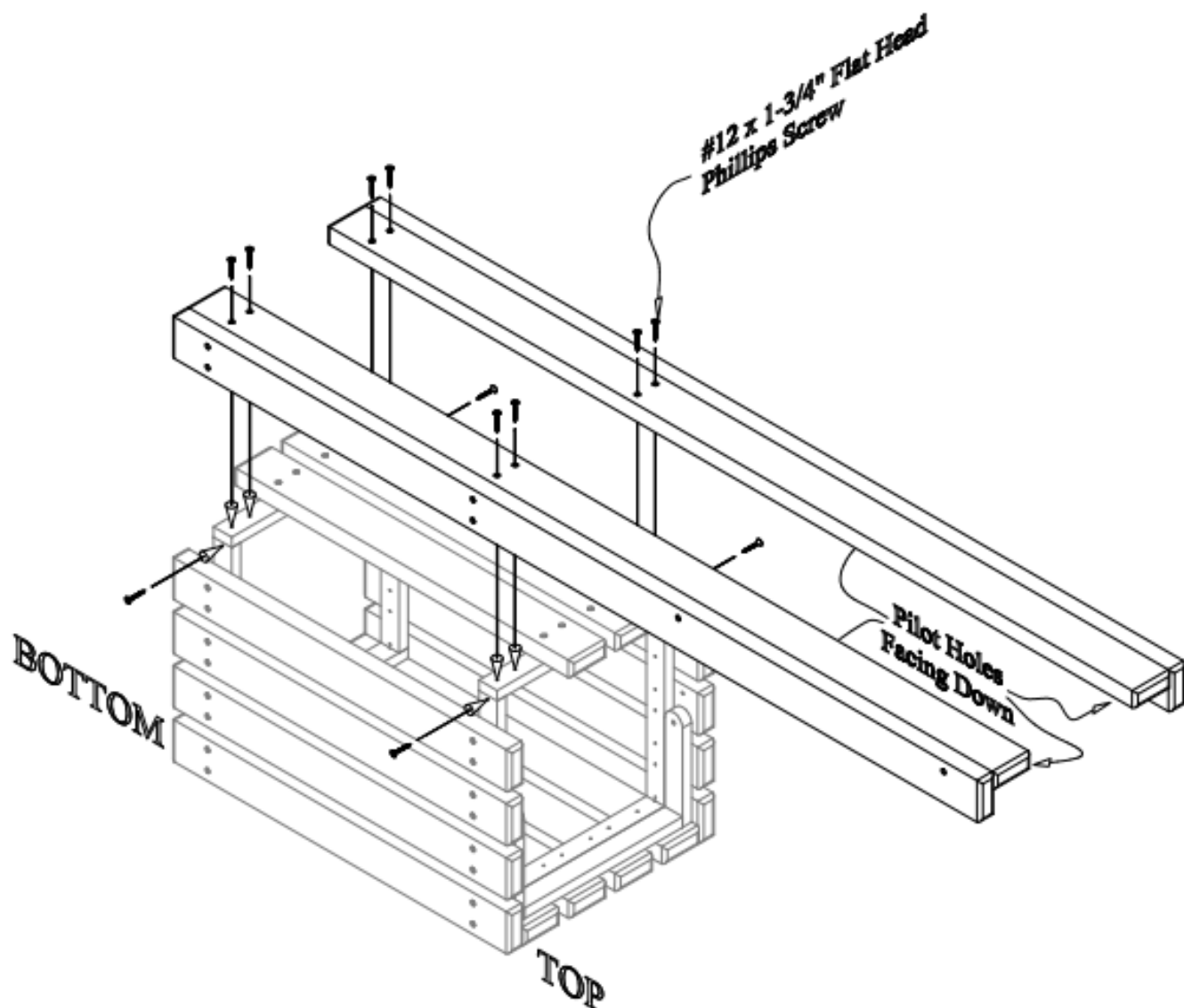
1 - Set of 2 Keys



Also needed for this assembly will be the following materials:

1 - #3 Phillips Drive Bit

*****DO NOT OVER-TIGHTEN SCREWS***
OVER -TIGHTENING MAY CAUSE THE BOARDS TO
CRACK OVER TIME.**



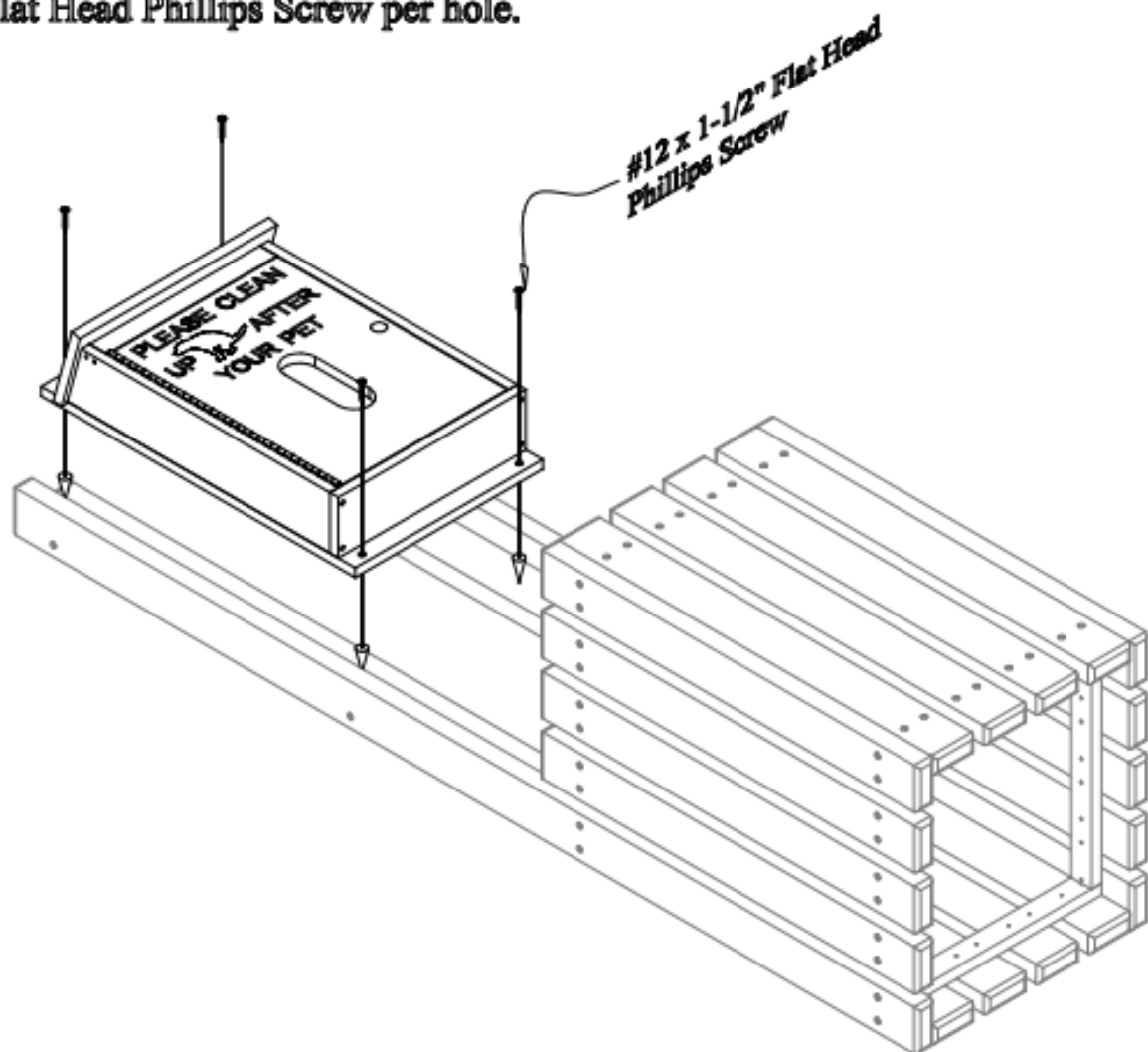
Step #1:

With the Partially Assembled Receptacle on its side as shown, one at a time align and attach the left and right Vertical Slat Sub-Assemblies making sure the pilot holes for the Bag Dispenser are at the top of the receptacle and facing down. Fasten using (1) one #12 x 1-3/4" Flat Head Phillips Screw per aligned hole making sure to hit the pilot holes in the frames.

DO NOT OVER-TIGHTEN SCREWS

Step #2:

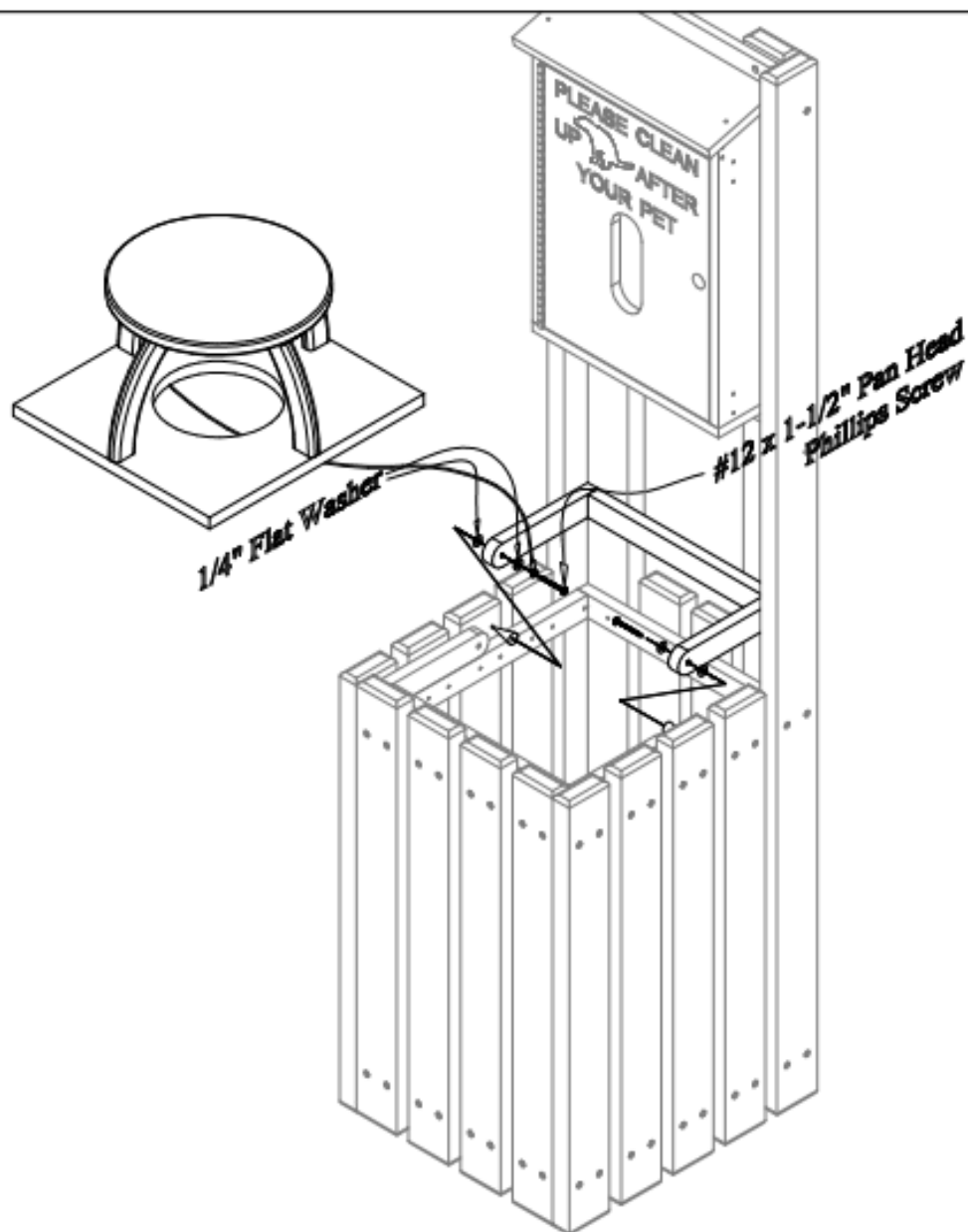
Rotate the receptacle around as shown below. Attach the Pet Waste Bag Dispenser making sure to align the counter-sunk holes on the Bag Dispenser with the pilot holes on the receptacle slats. Fasten using (1) one #12 x 1-1/2" Flat Head Phillips Screw per hole.



Step #3:

Turn the trash receptacle upright onto its base. Please use caution while moving. At this point in assembly the receptacle will weigh approximately 100 pounds.

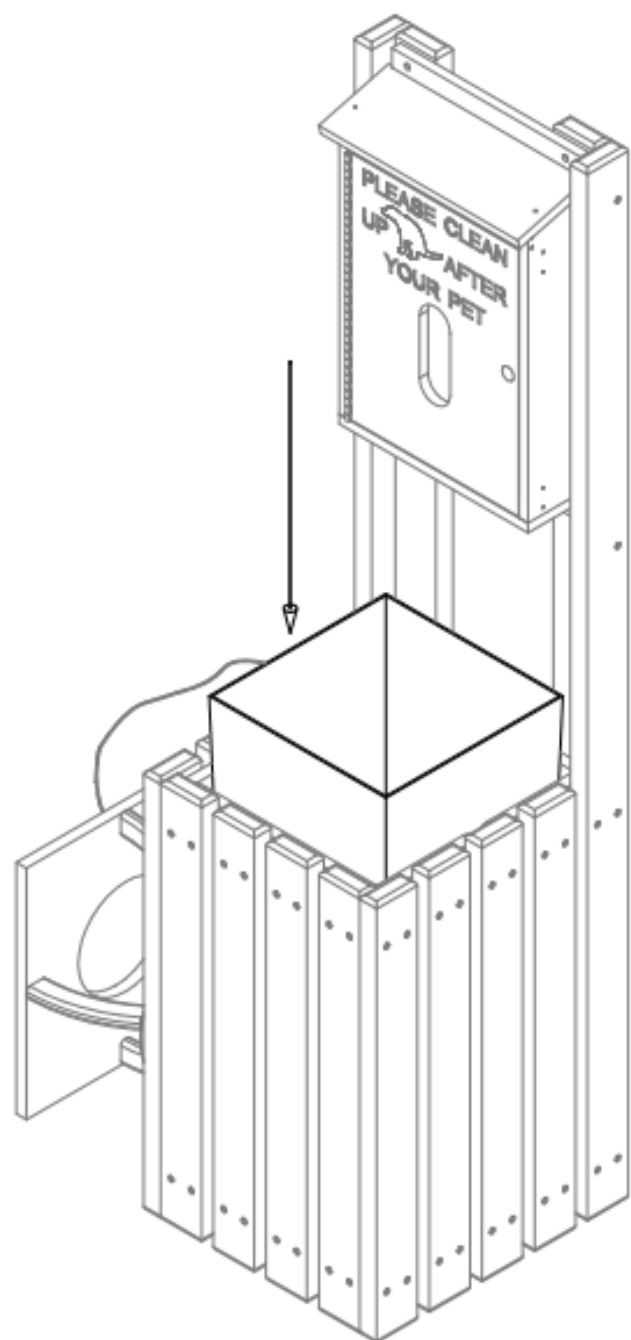
DO NOT OVER-TIGHTEN SCREWS



Step #4:

Place the Bag Holder in the trash receptacle, using (1) one 1/4" Flat Washer on each side of the pre-drilled holes, fasten with (1) one 1-1/2" Pan Head Phillips Screw into each of the pre-drilled pilot holes in the Side Boards. If you would like to take advantage of the attached lanyard, just make sure that the screw captures the hole in the lanyard. Otherwise, remove the screw holding the lanyard to the lid and re-secure the screw.

DO NOT OVER-TIGHTEN SCREWS



Step #5:

Slide the Receptacle Liner and the Rain Cap into place. To put the liner in the receptacle, slide it in through the top at a slight angle downwards. To place the Rain Cap on the receptacle, rest it on the inner ledge of the side walls.