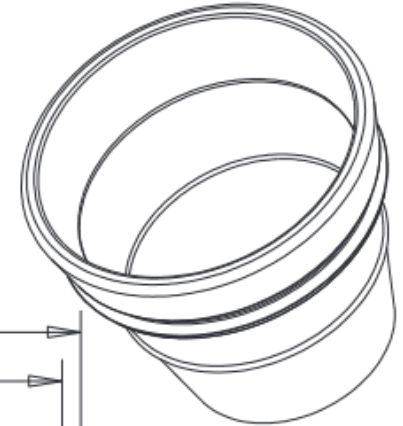
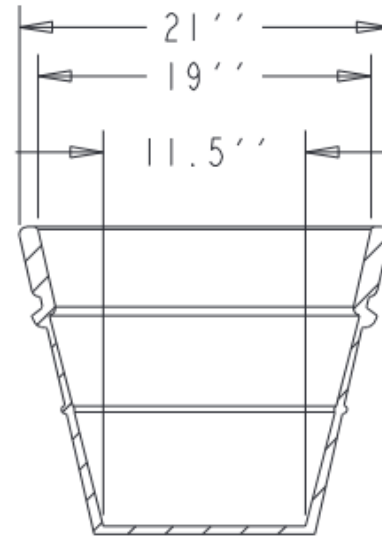
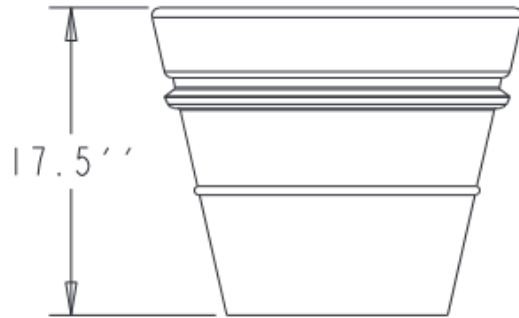
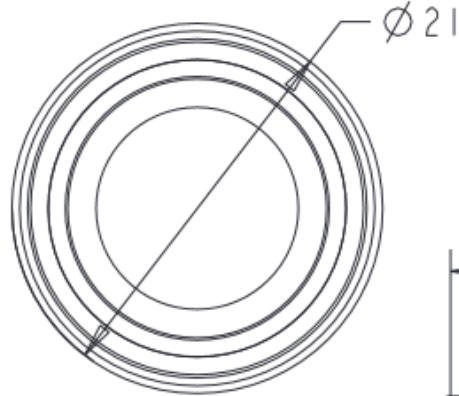




SPECS AT A GLANCE

Top ID: 19''
 Top OD: 21''
 BASE ID: 11.5''
 HEIGHT: 17.5
 VOLUME: 13.85 GALLONS
 1.85 FT^3
 WEIGHT: 9 LBS



DO NOT SCALE DRAWING.
 All measurements are rounded to the closest quarter inch and may not be exact due to manufacturing variances.

OCC Outdoors			
MATERIAL:	LLDPE RESIN	SCALE	0.100
TITLE		DRAWN BY	
TC2-20			
DATE	PART #:	TC2-20	REV
Nov-25-15	(A SIZE)		XI

1 OF 1