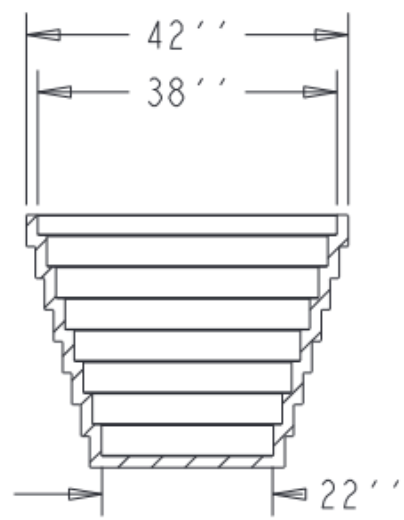
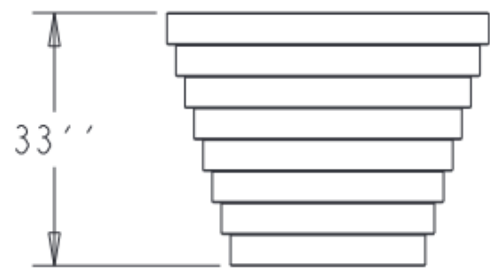


SPECS AT A GLANCE

TOP ID: 38''  
 TOP OD: 42''  
 BASE ID: 22''  
 HEIGHT: 33  
 VOLUME: 115 GALLON  
 15.3 FT<sup>3</sup>  
 WEIGHT: 44LBS



DO NOT SCALE DRAWING.  
 All measurements are rounded to the closest quarter inch and may not be exact due to manufacturing variances.

<b>OCC Outdoors</b>			
MATERIAL:	LLDPE RESIN	SCALE	0.043
		DRAWN BY	T
TITLE			I OF I
TSP-40			
DATE	PART #:	TSP-40	REV
Nov-25-15	(A SIZE)		X I