

Specifications & Assembly Instructions

ROMAN CHAIR SQUAT (SURFACE MOUNT) UP232SM

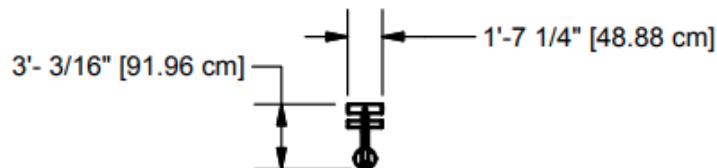
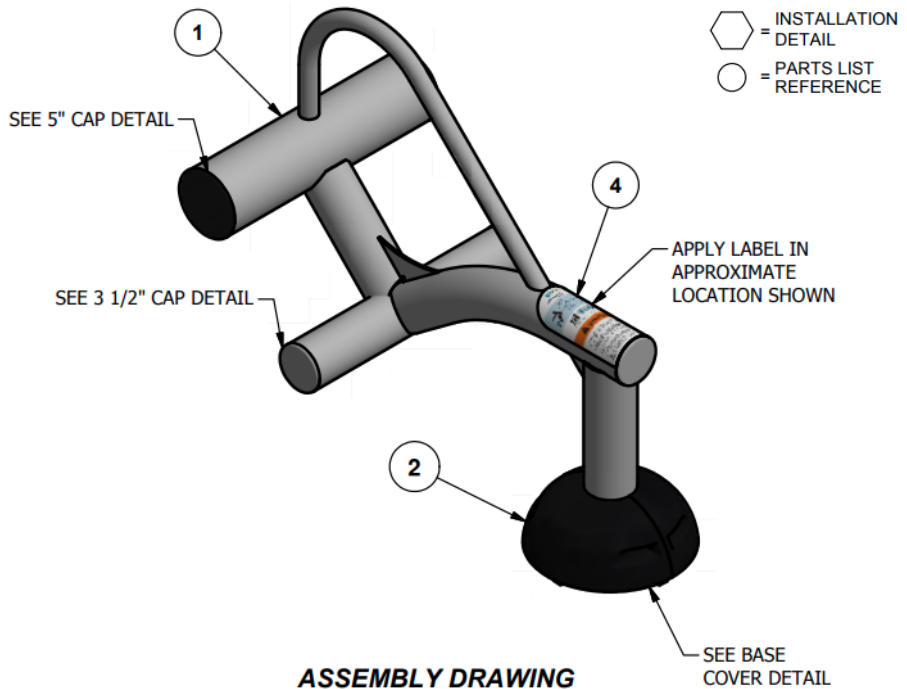
ROMAN CHAIR SQUAT (IN-GROUND) UP232S

INSTALLATION INSTRUCTIONS

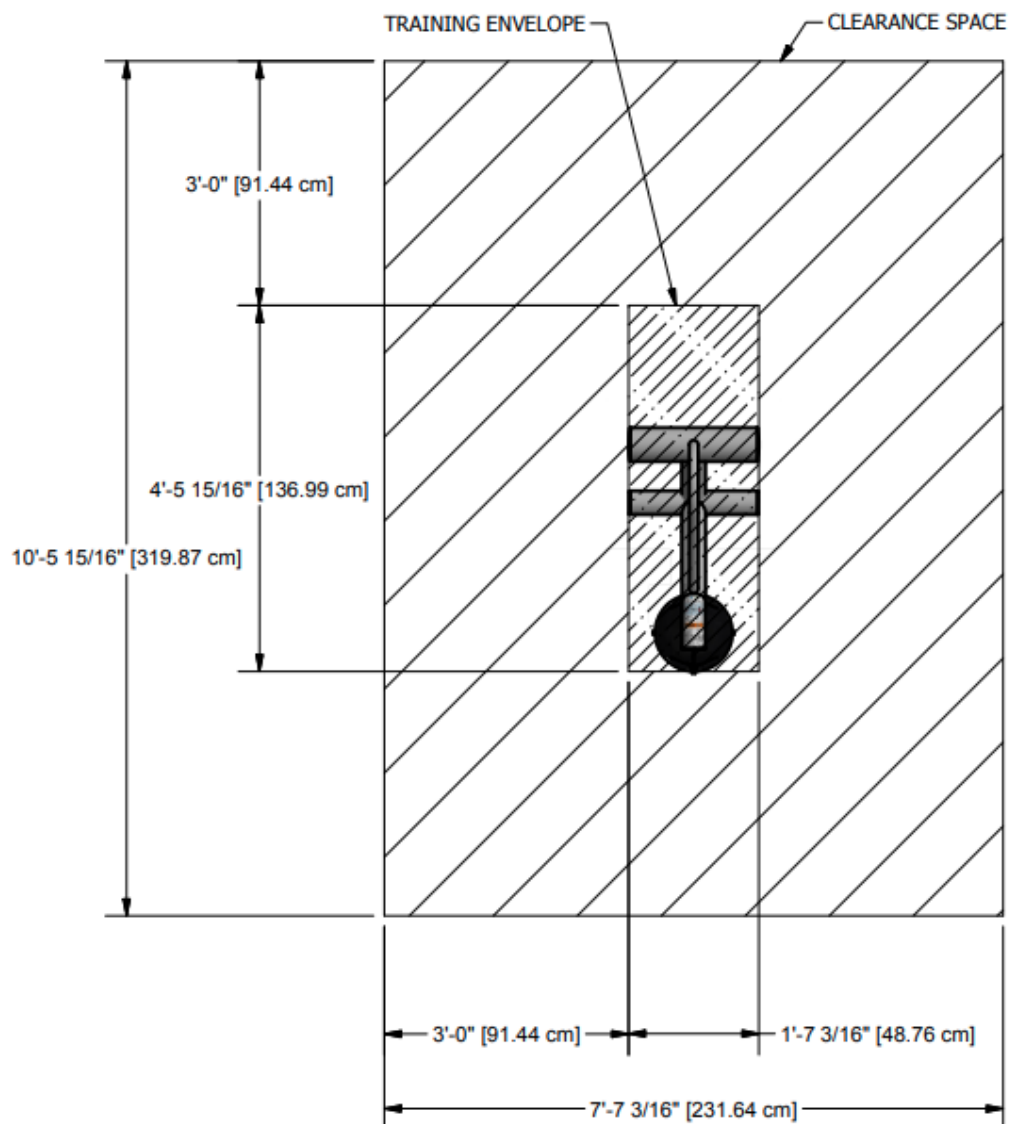
Note: Read installation instructions thoroughly before starting assembly. Bracing material is required during assembly.

Surface Mount: Using Frame Assembly as template, mark hole locations for Wedge Anchors. Refer to Surface Mount Detail.

In-Ground Mount: Prepare ground hole(s) according to In-Ground Mount Detail. Attach Footback to Frame Assembly (refer to In-Ground Ass'y Detail). Place assembly in ground hole. Level using sway bracing. Pour concrete according to In-Ground Mount Detail. Allow concrete to cure for a minimum of 7 days.



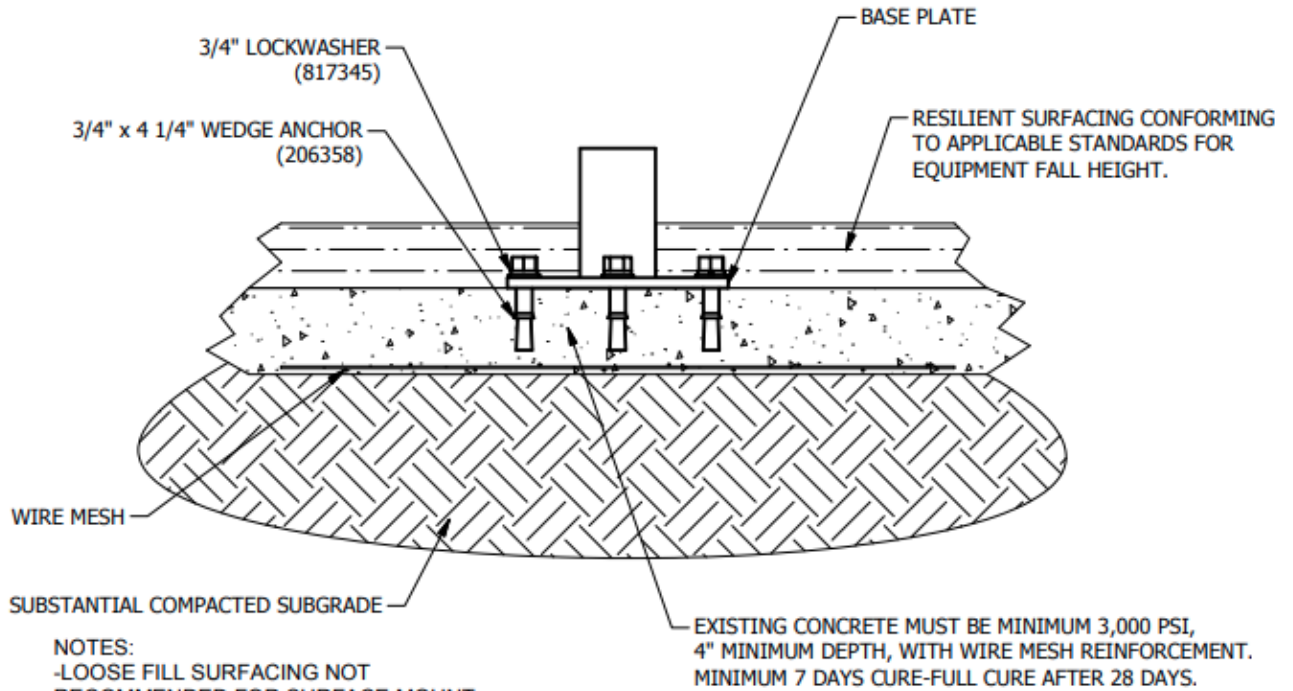
ROMAN CHAIR SQUAT UP232SM



TRAINING ENVELOPE/CLEARANCE SPACE

NOTE: OWNER/OPERATOR SHALL KEEP THE TRAINING ENVELOPE AND CLEARANCE SPACE OF THE OUTDOOR FITNESS EQUIPMENT FREE FROM EXTRANEIOUS MATERIALS THAT COULD CAUSE INJURY, INFECTION, OR DISEASE.

ROMAN CHAIR SQUAT (SURFACE MOUNT) UP232SM



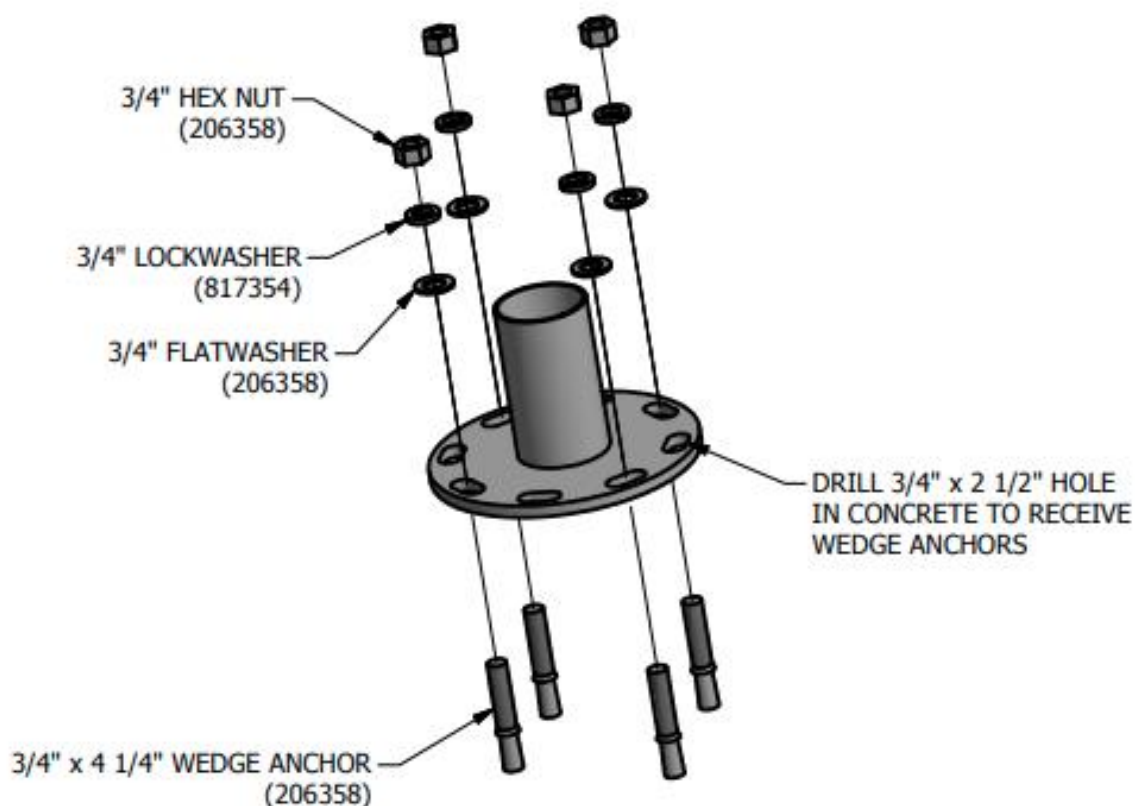
NOTES:

-LOOSE FILL SURFACING NOT RECOMMENDED FOR SURFACE MOUNT.

-RESILIENT SURFACING AND SUBSTANTIAL COMPACTED SUBGRADE DEPTHS DEPEND ON SOIL CONDITIONS AND RESILIENT SURFACING TYPE.

SURFACE MOUNT

ROMAN CHAIR SQUAT (SURFACE MOUNT) UP232SM



SURFACE MOUNT ASS'Y DETAIL

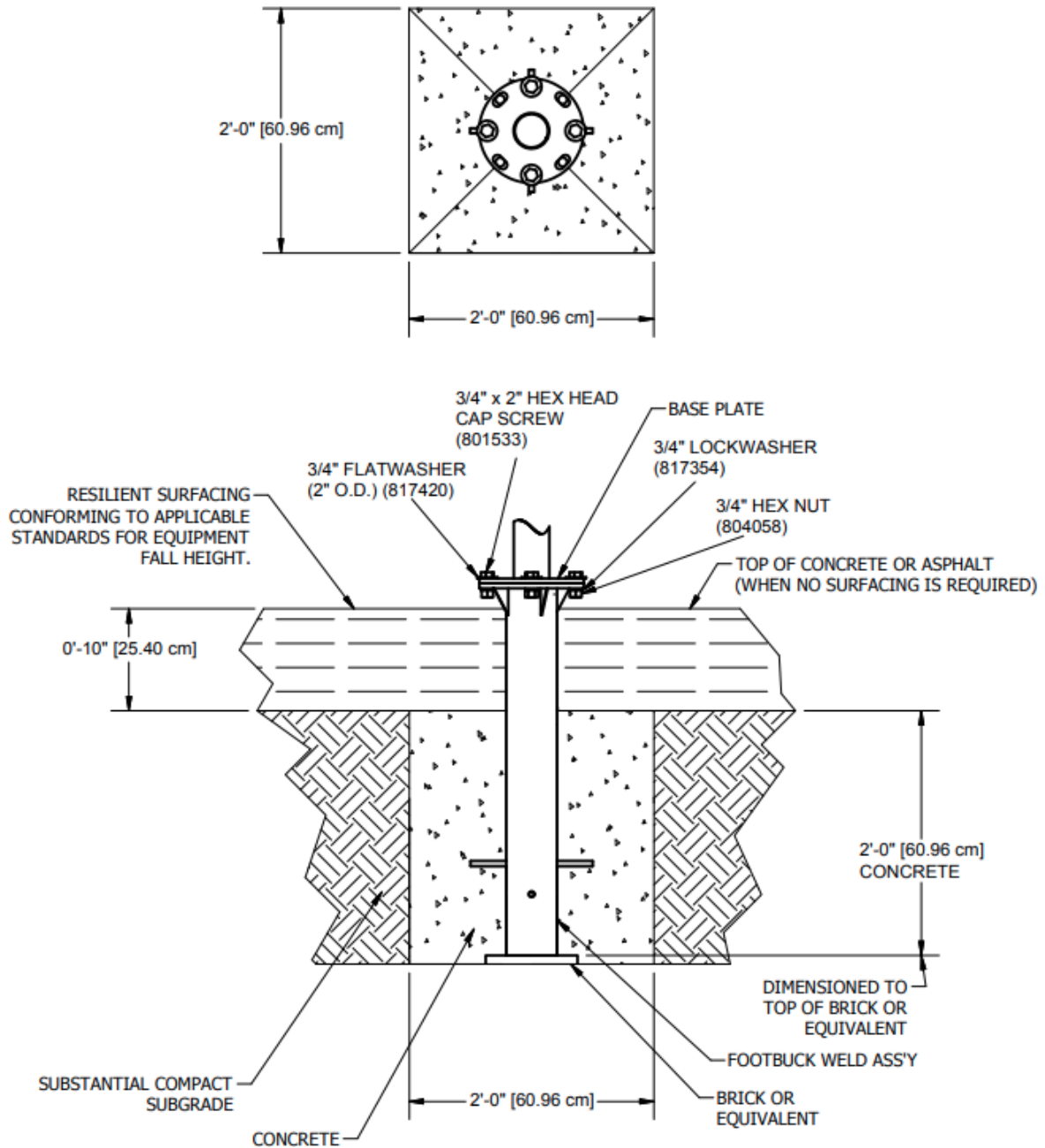
IMPORTANT

TO REDUCE THE RISK OF CLOTHING ENTANGLEMENT IN COMPLIANCE WITH ASTM F1487, ANY BOLT END PROTRUDING MORE THAN TWO FULL THREADS BEYOND THE FACE OF THE NUT SHALL BE CUT-OFF FLUSH, FILED SMOOTH AND TREATED TO PREVENT CORROSION.

NOTE: LOCTITE (SUPPLIED BY OTHERS) SHOULD BE USED ON ALL THREADED HARDWARE.

NOTE: AFTER ASSEMBLY IS COMPLETE, PEEN TEE-NUTS AND FLATWASHERS TO MATCH RADIUS OF PIPE.

ROMAN CHAIR SQUAT (IN-GROUND) UP232S



NOTES:

-RESILIENT SURFACING AND SUBSTANTIAL COMPACTED SUBGRADE DEPTHS DEPEND ON SOIL CONDITIONS AND RESILIENT SURFACING TYPE.

-SLOPED FOOTING (45° MIN) IS A REQUIREMENT OF EUROPEAN STANDARD EN1176-1 ONLY

-SUGGESTED MINIMUM CONCRETE RATING 3000 PSI.

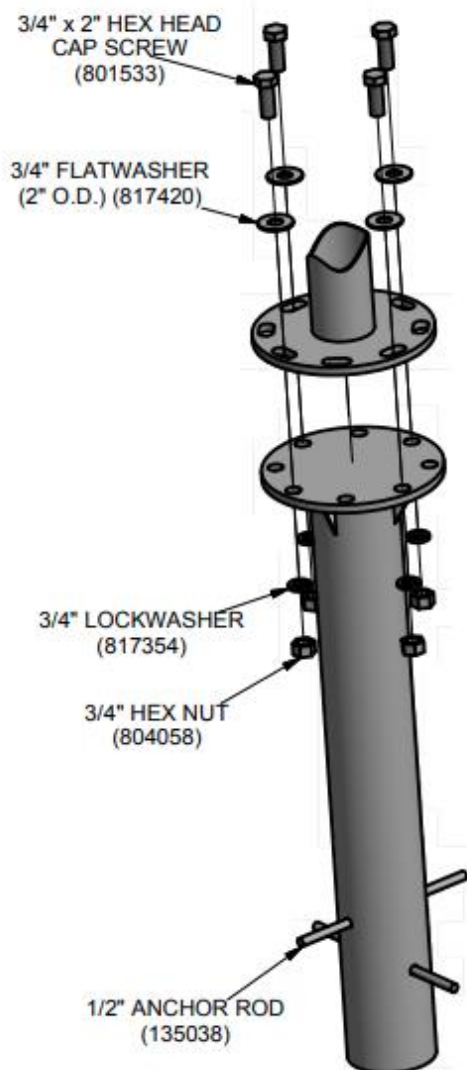
CONCRETE REQUIRED

.30 CUBIC YARDS
[.23 CUBIC METERS]

SHOCK ABSORBING PROPERTIES OF SURFACING MATERIALS VARY. IF YOU DETERMINE THAT LESS THAN 0'-10" [25.40cm] OF SURFACING IS REQUIRED, MAKE UP THE DIFFERENCE IN ELEVATION WITH EARTH, BEFORE APPLYING SURFACING.

IN-GROUND MOUNT

ROMAN CHAIR SQUAT (IN-GROUND) UP232S



IN-GROUND ASS'Y DETAIL

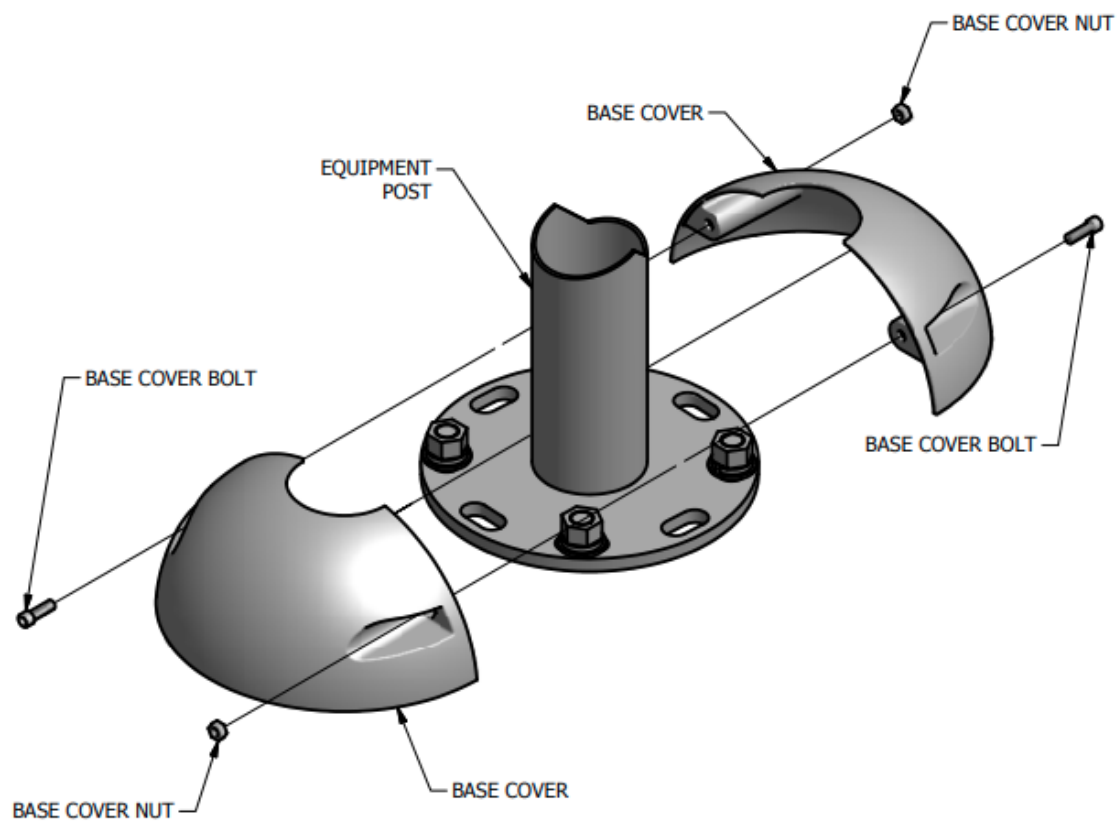
IMPORTANT

TO REDUCE THE RISK OF CLOTHING ENTANGLEMENT IN COMPLIANCE WITH ASTM F1487, ANY BOLT END PROTRUDING MORE THAN TWO FULL THREADS BEYOND THE FACE OF THE NUT SHALL BE CUT-OFF FLUSH, FILED SMOOTH AND TREATED TO PREVENT CORROSION.

NOTE: LOCTITE (SUPPLIED BY OTHERS) SHOULD BE USED ON ALL THREADED HARDWARE.

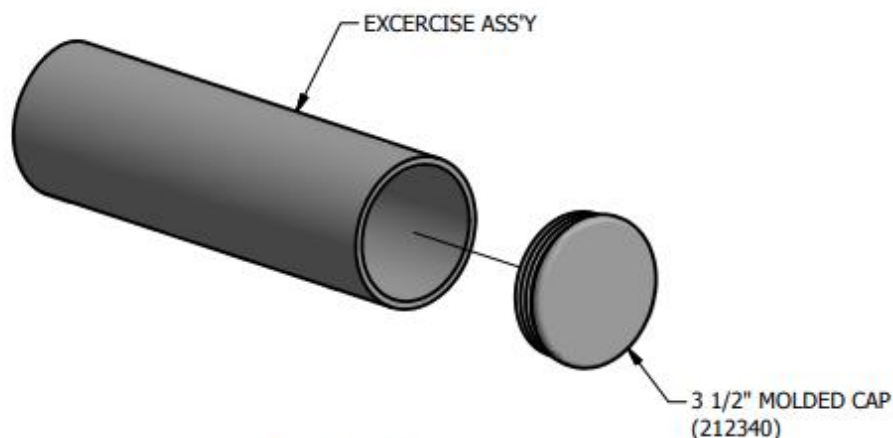
NOTE: AFTER ASSEMBLY IS COMPLETE, PEEN TEE-NUTS AND FLATWASHERS TO MATCH RADIUS OF PIPE.

ROMAN CHAIR SQUAT (SURFACE MOUNT) UP232SM
ROMAN CHAIR SQUAT (IN-GROUND) UP232S

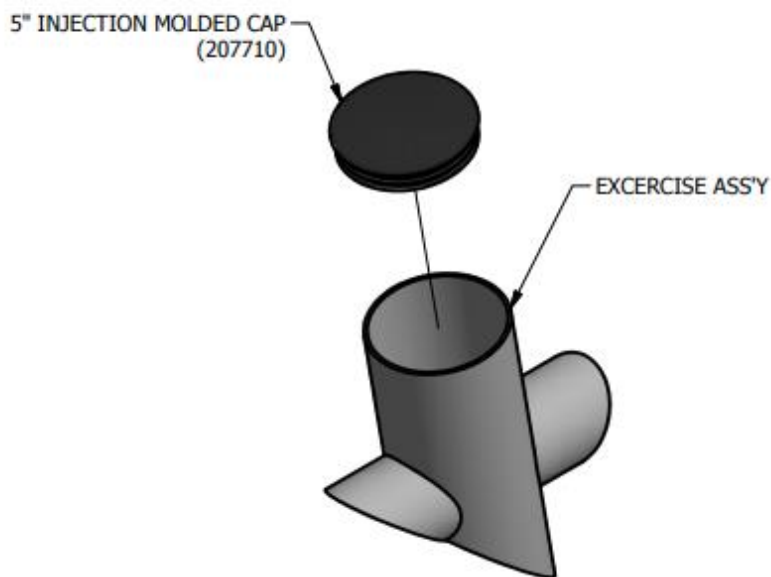


BASE COVER DETAIL

ROMAN CHAIR SQUAT (SURFACE MOUNT) UP232SM
ROMAN CHAIR SQUAT (IN-GROUND) UP232S



3 1/2" CAP DETAIL



5" CAP DETAIL

ROMAN CHAIR SQUAT (SURFACE MOUNT) UP232SM

ROMAN CHAIR SQUAT (IN-GROUND) UP232S

Parts List				
REF	DESCRIPTION	UP232S	UP232SM	PART NUMBER
1	ROMAN CHAIR SQUAT WELD ASS'Y	1	1	212527
2	3 1/2" BASE COVER	1	1	206699
3	FOOTBUCK WELD ASS'Y	1	0	206467
	HARDWARE COMPLETE	1	0	408018
	HARDWARE COMPLETE	0	1	408019
	3 1/2" MOLDED CAP	3	3	212340*
	5" INJECTION MOLDED CAP	2	2	207710*
	1/2" ANCHOR ROD	2	0	135038*
	3/4" x 2" HEX HEAD CAP SCREW	4	0	801533*
	3/4" FLATWASHER (2" O.D.)	4	0	817420*
	3/4" LOCKWASHER	4	4	817354*
	3/4" HEX NUT	4	0	804058*
	3/4" x 4 1/4" WEDGE ANCHOR	0	4	206358*
4	USAGE/WARNING LABEL	1	1	408011*

*Unless Otherwise Specified, All Units of Measure are Each
* Included in Hardware*

Warning: During Installation, Hardware And Small Parts Are Choking Hazards For Young Children. Store Unused Parts Appropriately Until Assembly Is Completed. Once Assembly Is Completed, Remove Any Unused Parts From The Play Environment And Dispose/Save Them In A Secure Location.

Note: Peen Tee-Nuts and Flatwashers to match radius of pipe after assembly is complete.

SPECIFICATIONS

NOTE: THIS INSTALLATION BOOKET SHOULD BE KEPT IN CUSTOMER'S FILE FOR FUTURE REFERENCE.

NOTE: Read installation instructions thoroughly before starting assembly. Pour concrete only after final assembly is complete. Bracing material may be required during assembly.

NOTE: Do not overtighten bolts. To overtighten may cause buckling or dimpling of some parts.

NOTE: Do not tighten any nuts, bolts, rods, etc. until the unit is completely assembled.

CHIN UP BAR: Shall be fabricated from 1-5/16" O.D. x .109" (12 Gauge) wall galvanized steel tubing, 1-1/16" O.D. x .072" (15 Gauge) wall galvanized steel tubing, and 1/4" Thick H.R. Steel. Chin Up Bar shall be an all weld assembly and shall be coated after fabrication with a custom formula of TGIC polyester powder coating in conformance with the specifications outlined herein.

UPRIGHTS: Shall be fabricated from 5" O.D. x .120" (11 Gauge) wall galvanized steel tubing. Uprights shall be coated after fabrication with a custom formula of TGIC polyester powder coating in conformance with the specifications outlined herein.

UPRIGHTS (SURFACE MOUNT): Shall be fabricated from 5" O.D. x .120" (11 Gauge) wall galvanized steel tubing and 1/2" Thick H.R. Steel. Uprights shall be an all weld assembly and shall be coated after fabrication with a custom formula of TGIC polyester powder coating in conformance with the specifications outlined herein.

POWDER COAT FINISH: Shall be an electrostatically applied custom formula of TGIC polyester powder. All components will be free of sharp edges and excess weld spatter and shall be cleaned in a four stage solvent / zirconium based bath system (free of iron phosphate), as a rust inhibitor, and a zirconium conversion coating to prevent flash rusting before coating. In addition, all welds shall be protectively coated with ZRP, a zinc rich primer that forms a rust-resistant barrier layer over each weld prior to application of the powder coating. The powder coating shall have a super tough finish with maximum exterior durability and will have superior adhesion characteristics. Typical characteristics are: Two coat process to achieve 3.0 - 5.0 mil thickness and oven cured between 350 degrees Fahrenheit. Pencil Hardness H (ASTM D-3363), Impact (ASTM D-2794- 69), Wedge Bend (ASTM D-522-68), Adhesion (Cross Hatch ASTM D-3359 & Knife Scratch ASTM D-2197), Environmental (Stain Resistance ASTM D-1308, Humidity ASTM D-2247 - 87, Salt Spray ASTM B-117 & Fadometer 300 hrs with no loss of gloss), Over-bake Stability 100% at 350 degrees Fahrenheit for 10 minutes.

HARDWARE: All nuts, bolts, screws, inserts, and lockwashers used in the assembly of all play equipment, shall be stainless steel, yellow dichromate plated steel, blue-coat plated steel, mechanically galvanized or powder coated/yellow dichromate plated steel. All primary fasteners shall be 300 series stainless steel. Fasteners with yellow dichromate treatment have an electro deposited, 99.9% pure zinc substrate applied from a specially formulated solution sealed with a yellow dichromate top coat designed to work in conjunction with the zinc plating Yellow dichromate has a 320% longer life to white corrosion and 275% longer to red corrosion than does hot-dip galvanizing.

SPECIFICATIONS: ULTRASITE has a policy of continuous improvement and reserves the right to discontinue or change specifications without notice.



IMPORTANT PRODUCT INFORMATION AND SAFETY WARNINGS



- Installation over a hard surface such as concrete, asphalt, or packed earth may result in serious injury or death from falls. Especially all elevated upper-body strength building equipment.
- ALWAYS FOLLOW INSTALLATION INSTRUCTIONS WHEN ERECTING EQUIPMENT.
- Worn surfaces around equipment should be restored. Concrete footings should never be exposed. Surface depth should comply with installation instructions.
- Equipment should be placed to eliminate conflicting traffic patterns.
- All equipment should be free of rust and repainted whenever necessary to deter rusting.
- All protruding nuts and bolts should be covered; sharp edges on pipes should be capped or removed. Check for bent, broken or severely worn pipe and replace.
- Test overall stability and rigidity of all exercise equipment. Check for proper assembly, installation and ground anchoring.
- Check for and repair damage caused by wear or vandalism, a major factor in injury-causing situations.
- ULTRASITE® PROVIDES ITS CUSTOMERS WITH COMPLETE SPECIFICATION SHEETS AND INSTALLATION INSTRUCTIONS. THE SPECIFICATION SHEET CONTAINS THE LISTING OF EVERY PART USED IN A PIECE OF EQUIPMENT AND SHOULD BE KEPT IN THE CUSTOMER'S FILES FOR ACCURATE REFERENCE WHEN REPLACEMENT PARTS ARE NEEDED.
- Never add components not intended for use with this product.
- Regular checking of all parts, castings, etc. should be made. If a part is broken or worn it should be replaced immediately.
- Proper maintenance of ULTRASITE® equipment requires regular tightening of all bolts, nuts, and set screws.
- Check to be sure all fittings are tight and that the bars and pipes do not move.

