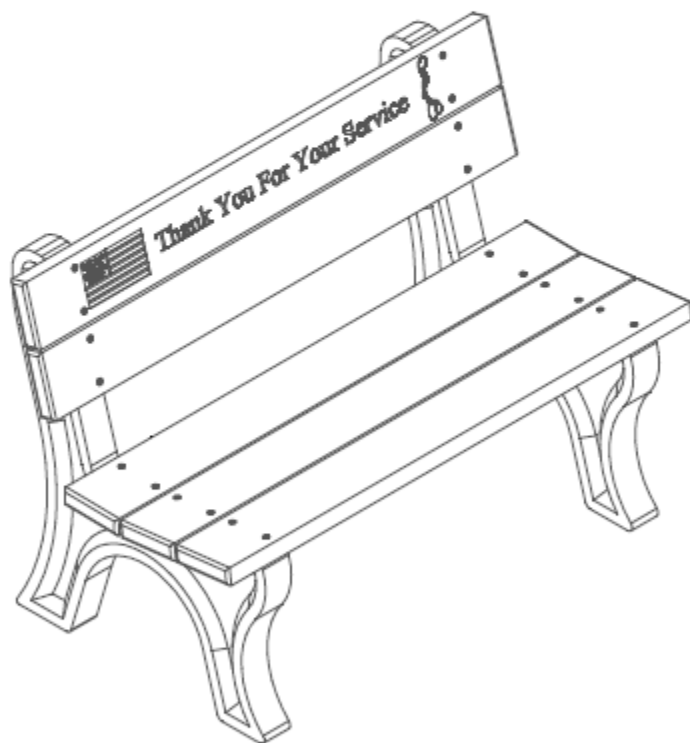


# 4 Foot Traditional Park Bench w/ Veterans Engraving

For Fastener Pack  
(FP-VET4B-CU-00)



Congratulations ! !

You have just purchased the finest recycled plastic  
park bench available. Enjoy ! ! !

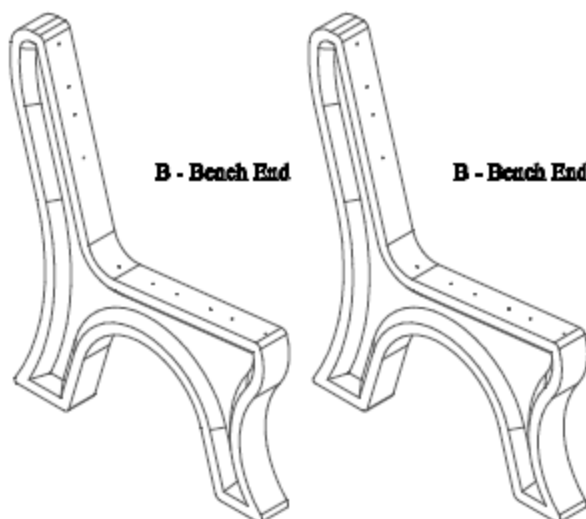
FS-VET4B-CAP-00

Before assembly, please make sure all components are included.



(1) - One Fastener Pack  
FP-VET4B-CU-00

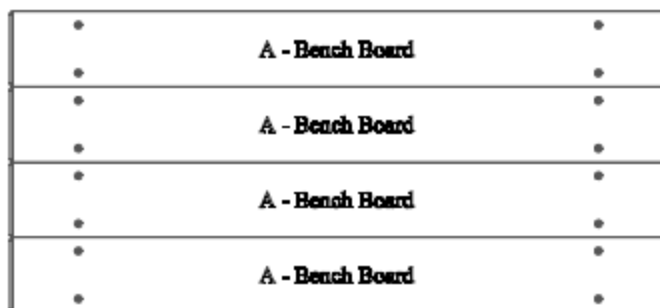
FP - Fastener Pack



(2) - Two Bench Ends  
PS-SHBB-T-02



(1) - One Veterans Bench Board  
BP-VET4B-A-00



(4) - Four Bench Boards  
BP-TB4B-A-02

FS-VET4B-CAP-00

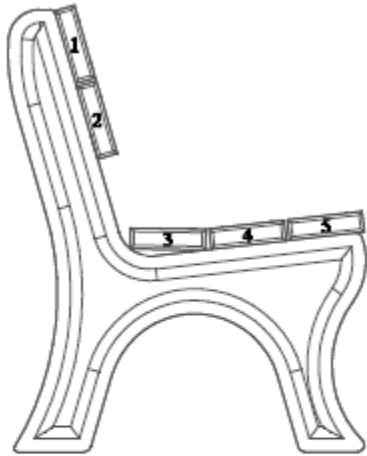
**Before assembly, please make sure all fasteners are included.**

**20 - #12 x 3" Flat Head Phillips Screw**



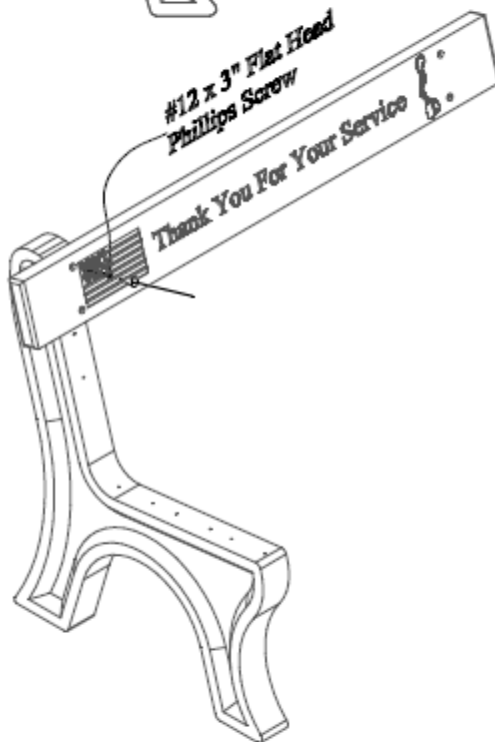
**Also needed for this assembly will be the following materials:**

**1 - #3 Phillips Drive Bit**



**Fig #1:**

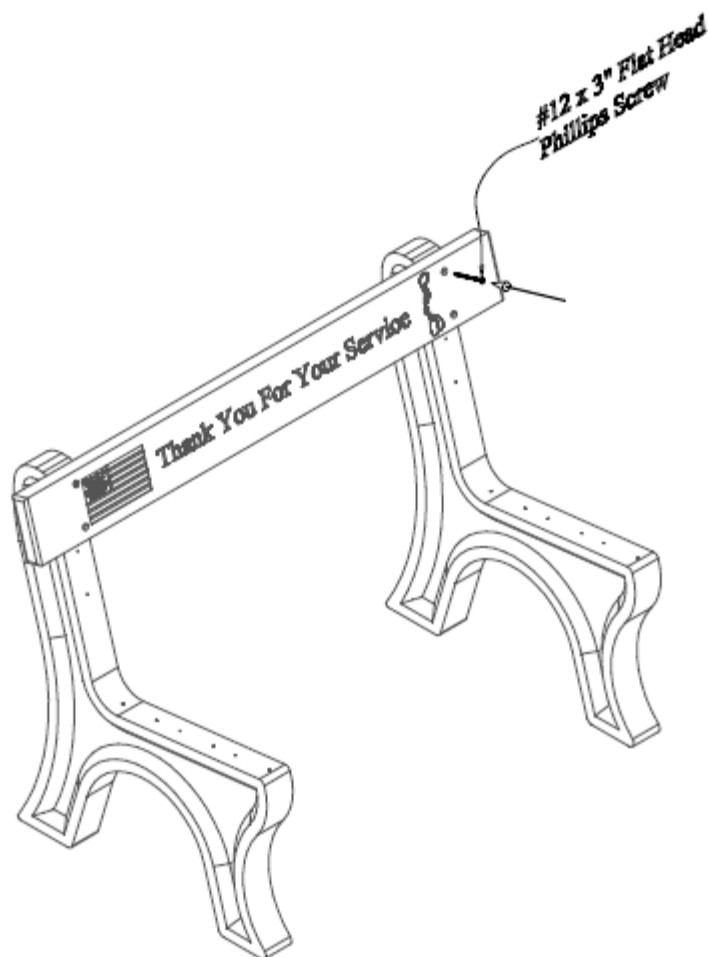
In order to make the assembly of this Traditional Bench easier while going through the assembly process the board positions are numbered and will be referenced in later steps.



**Step #1:**

**Stand (1)** One bench end upright and place (1) One Veterans bench board on position 1 being sure to align the pre-drilled holes to the pilot holes in the bench end. After the holes are properly aligned, fasten with (1) One #12 x 3" Flat Head Phillips Screw in the top pre-drilled hole.

**Note:** Do not tighten screw completely. This will be done in a later step.



**Step #2:**

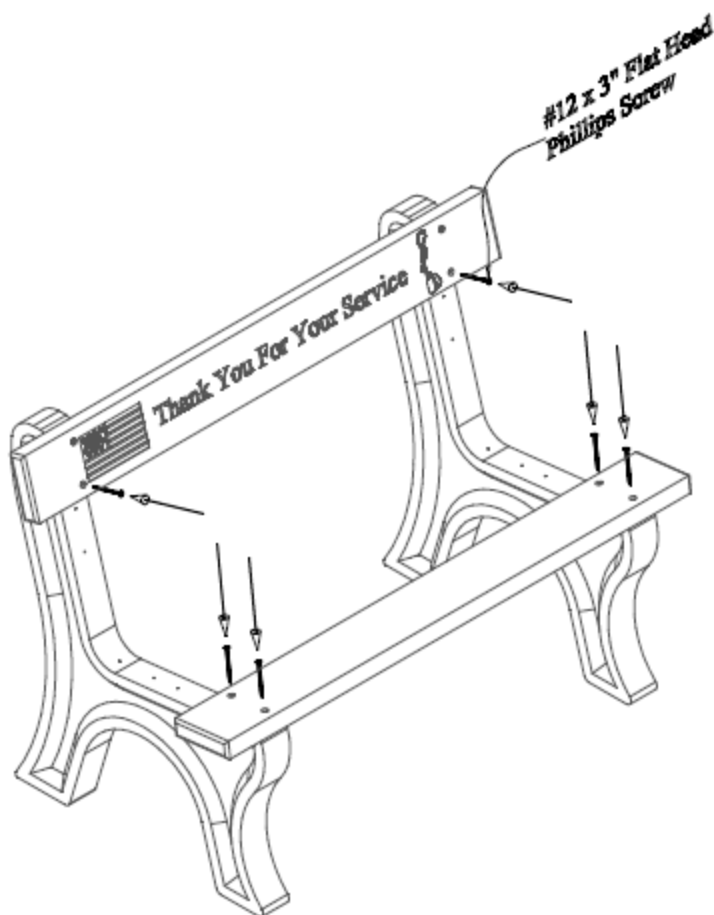
Stand the other bench end upright, and place the bench board already attached to the first bench end, on position 1 being sure to align the pre-drilled holes to the pilot holes in the bench end. After the holes are properly aligned, fasten with (1) One #12 x 3" Flat Head Phillips Screw in the top pre-drilled hole.

**Note:** Do not tighten screws completely. This will be done in a later step.

**Step #3:**

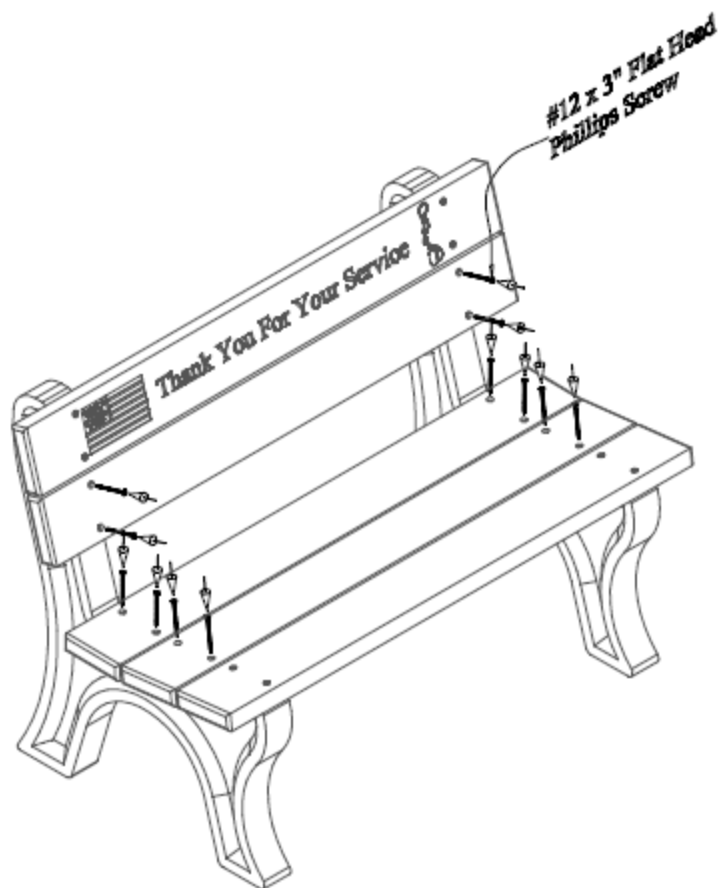
Align bottom pre-drilled holes to the pilot holes in the bench end. After the holes are properly aligned, fasten with (1) One #12 x 3" Flat Head Phillips Screw per hole.

**Note:** Be sure to tighten screws completely after this step.



**Step #4:**

Place a second bench board on position 5. Repeat Steps 1 - 3 to attach. Use (1) One #12 x 3" Flat Head Phillips Screw per hole to fasten.



**Step #5:**

Repeat Steps 1 - 3 to attach bench boards on positions 2, 3 & 4. Use (1) One #12 x 3" Flat Head Phillips Screw per hole to fasten.