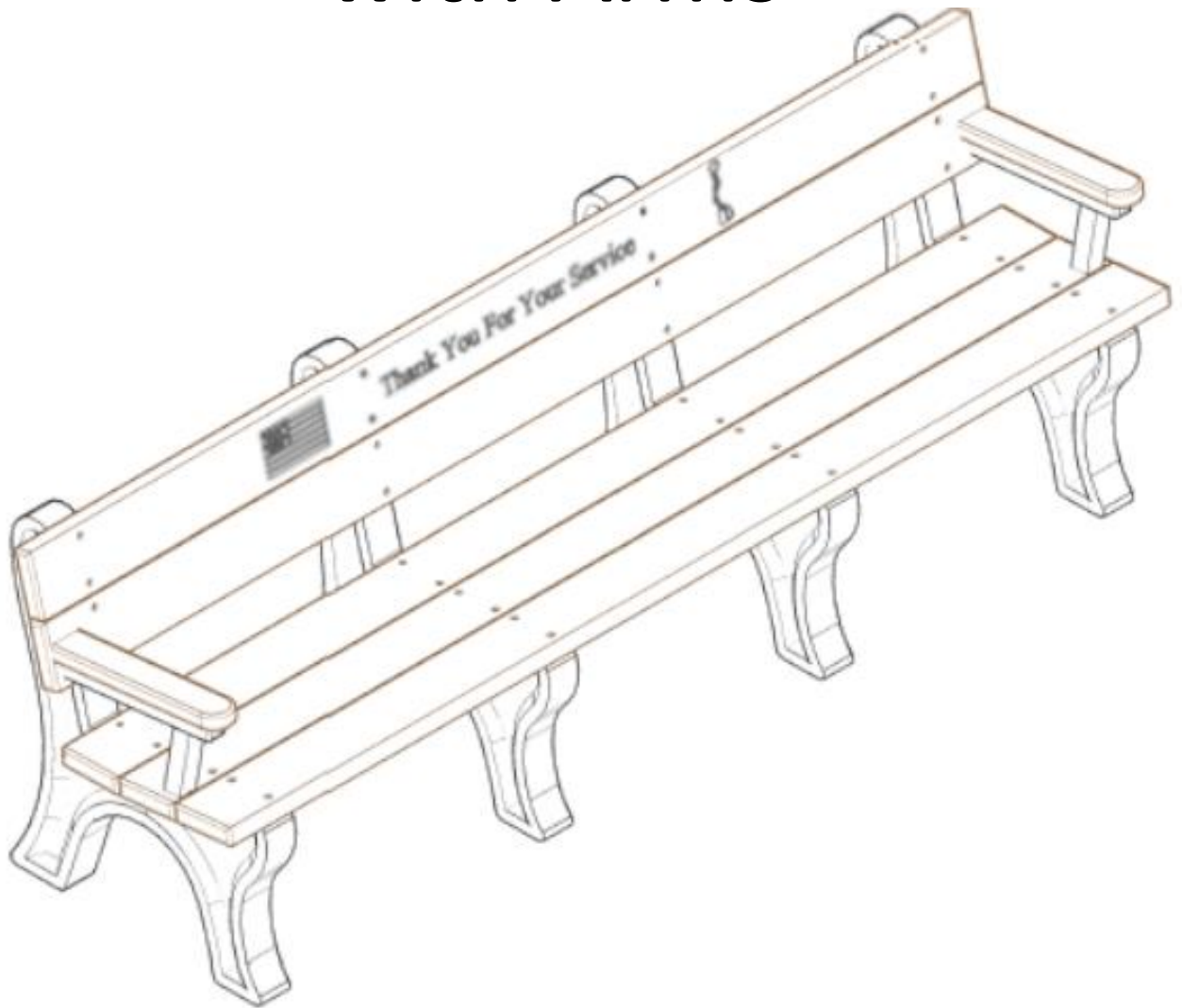


8 Foot Veteran Bench with Arms



Congratulations !!
You have just purchased the finest recycled plastic
park bench available. Enjoy !!!

Before assembly, please make sure all components are included.



(1) - One Fastener Pack
FP-TB88BA-CU-03

FP - Fastener Pack



D - Bench Arm



D - Bench Arm

(2) - Two Bench Arms
BSA-TBA-A-00

B - Bench End

B - Bench End

B - Bench End

B - Bench End



(4) - Four Bench Ends
PS-SBBE-T-03

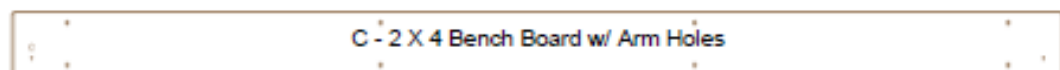


A - 2 X 4 Bench Board

A - 2 X 4 Bench Board

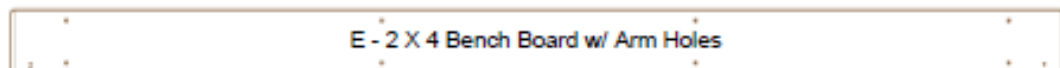
A - 2 X 4V Bench Board

(3) - Three Bench Boards
BP-TB88B-A-02



C - 2 X 4 Bench Board w/ Arm Holes

(1) - One Bench Board
BP-TB88BA-A-03



E - 2 X 4 Bench Board w/ Arm Holes

(1) - One Bench Board
BP-TB88BA-B-00

FS-TB88BA-CU-03

Before assembly, please make sure all fasteners are included.

44 - #12 x 3" Flat Head Phillips Screw



Also needed for this assembly will be the following materials:

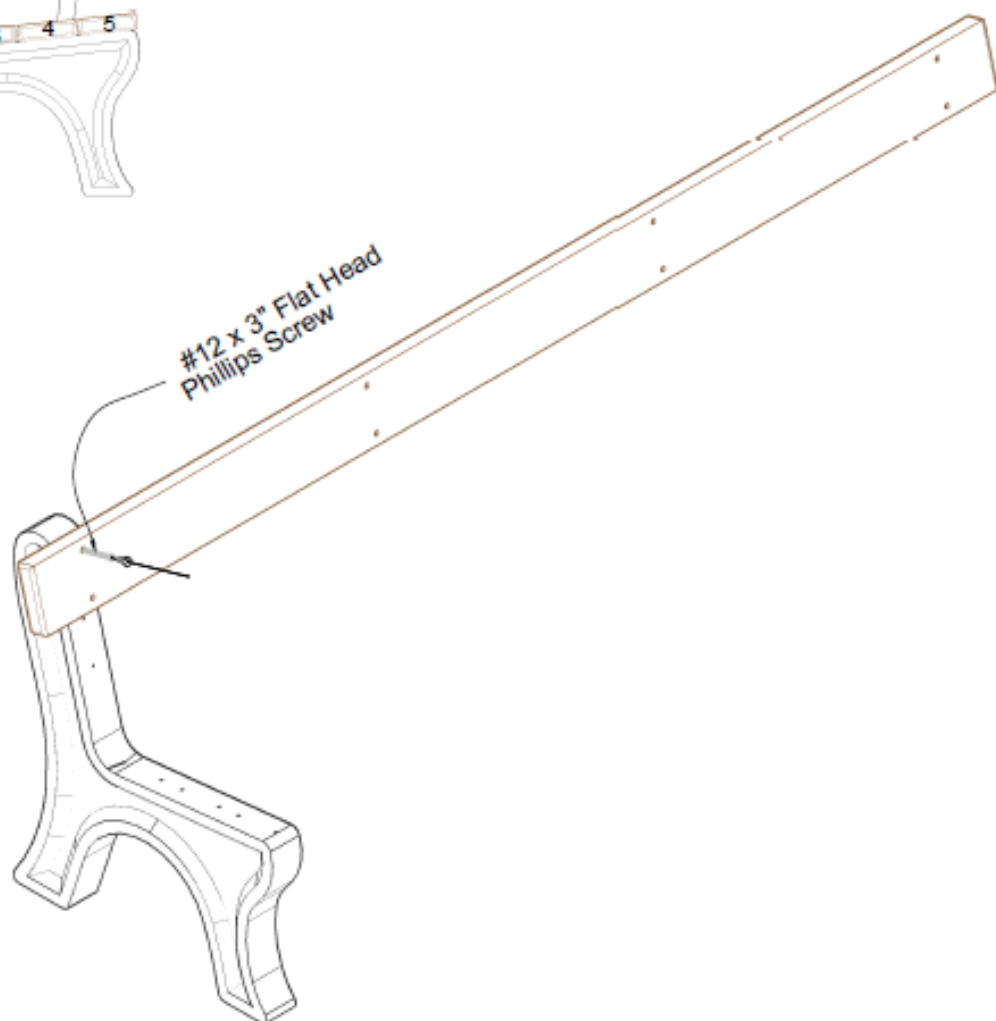
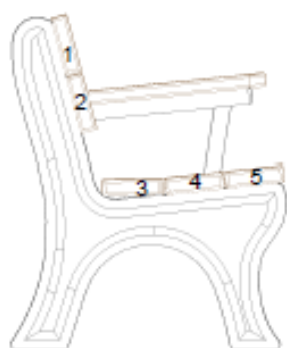
1 - #3 Phillips Drive Bit

***IMPORTANT NOTICE*:**

- DO NOT OVER-TIGHTEN SCREWS.
- USE A DRILL WITH ADJUSTABLE TORQUE FOR BEST RESULTS.
- OVER-TIGHTENING WILL RESULT IN STRIPPING OUT THE PILOT HOLE, AND SCREW WILL "SINK" INTO THE PLASTIC WHICH MAY CAUSE A STRESS FRACTURE.

Fig #1:

In order to make the assembly of this Traditional Bench easier while going through the assembly process the board positions are numbered and will be referenced in later steps.

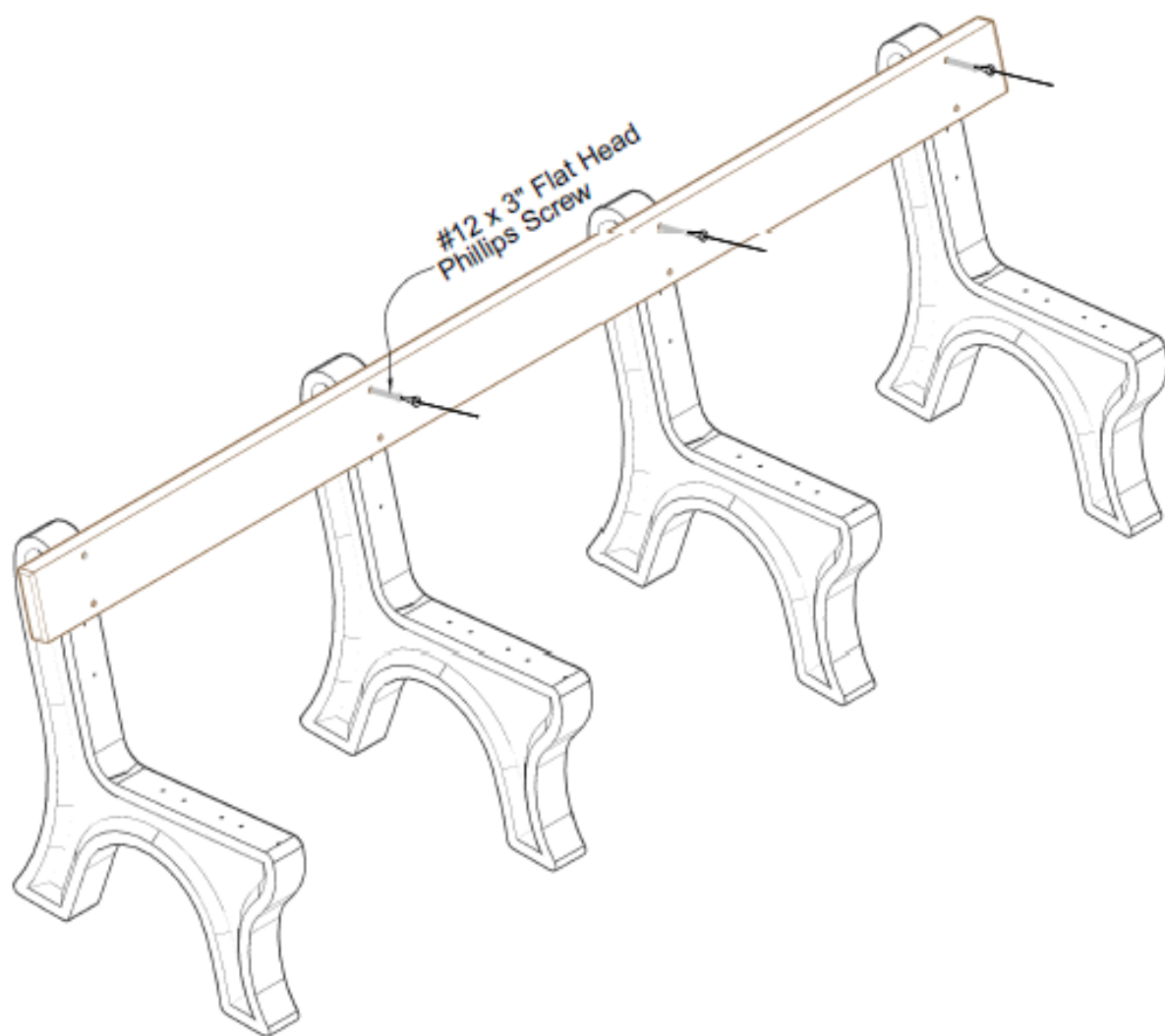


Step #1:

Stand (1) One bench end (Part B) upright and place (1) One bench board (Part A) on position 1 being sure to align the pre-drilled holes to the pilot holes in the bench end. After the holes are properly aligned, fasten with (1) One #12 x 3" Flat Head Phillips Screw in the top pre-drilled hole.

Notes:

Do not tighten screw completely. This will be done in a later step.



Step #2:

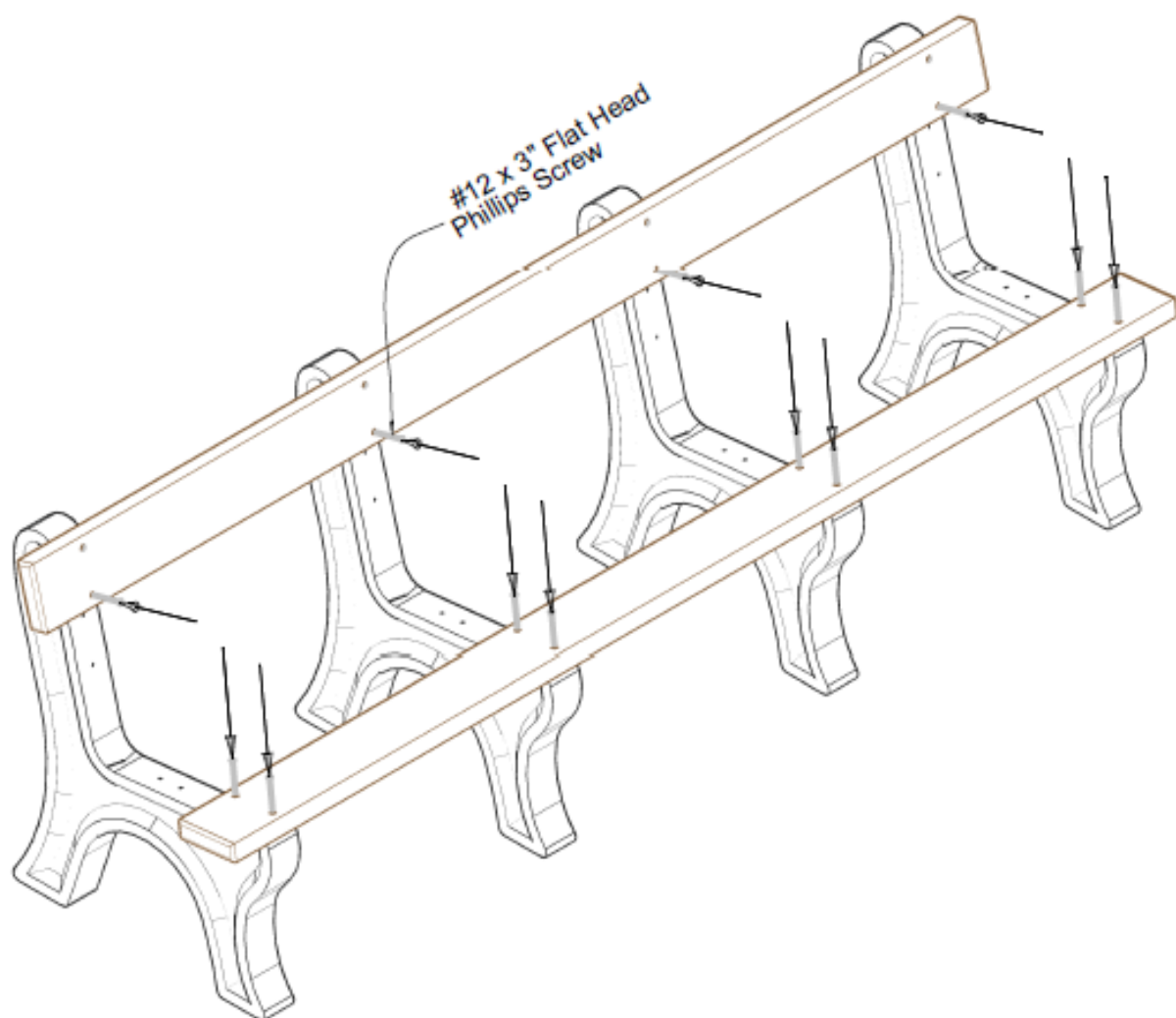
Stand the other (3) Three bench ends (Part B) upright and place the bench board already attached to the first bench end, on position 1 being sure to align the pre-drilled holes to the pilot holes in the bench end. After the holes are properly aligned, fasten with (1) One #12 x 3" Flat Head Phillips Screw in the top pre-drilled hole.

Note: Do not tighten screws completely. This will be done in a later step.

Step #3:

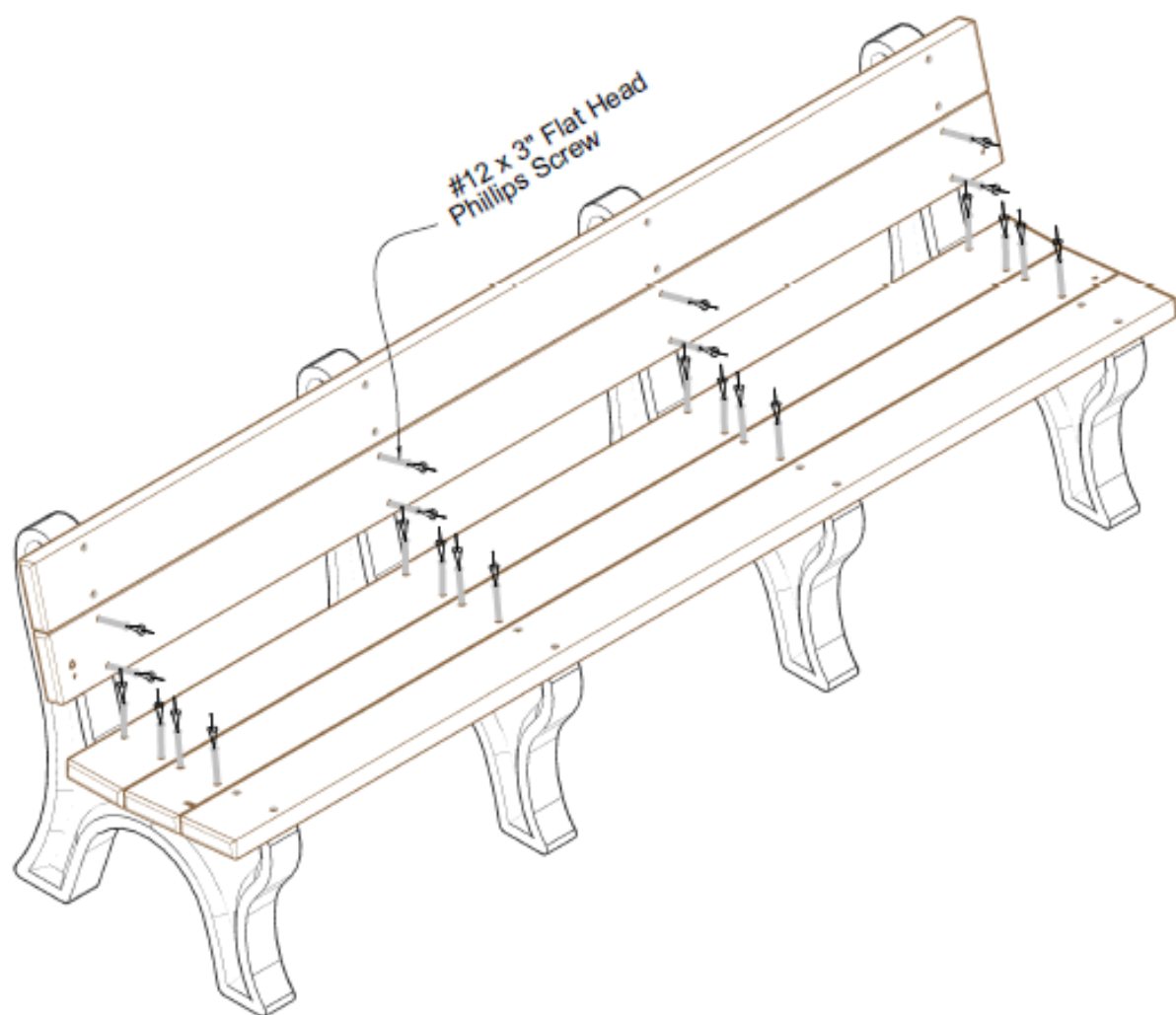
Align bottom pre-drilled holes to the pilot holes in the bench end. After the holes are properly aligned, fasten with (1) One #12 x 3" Flat Head Phillips Screw per hole.

Note: Be sure to tighten screws completely after this step.



Step #4:

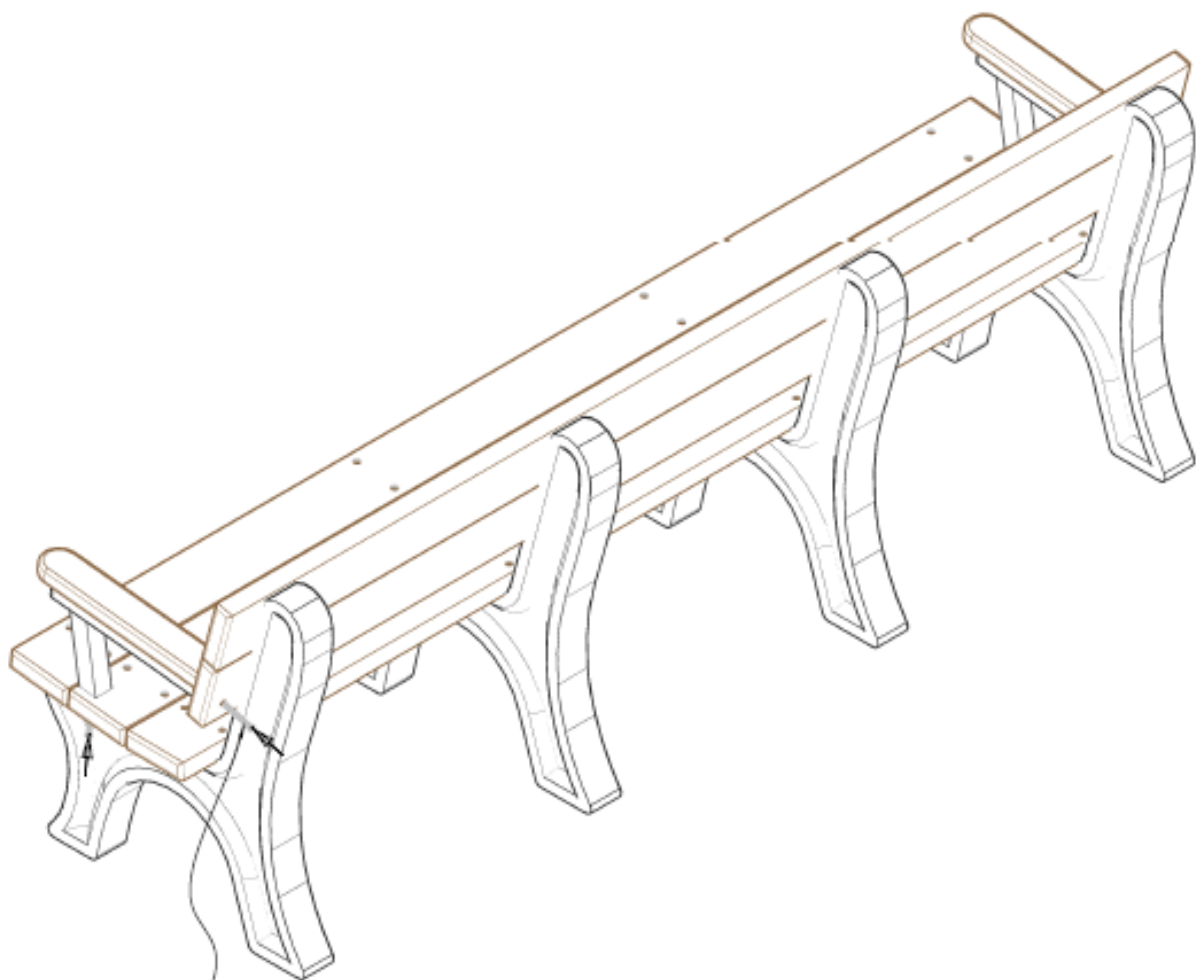
Place a bench board (Part A) on position 5. Repeat Steps 1 - 3 to attach. Use (1) One #12 x 3" Flat Head Phillips Screw per hole to fasten.



Step #5:

Repeat Steps 1 - 3 to attach bench boards (Part A) on position 3. Attach bench board w/ arm hole (Part C) on position 2 and bench board w/ arm hole (Part E) on position 4. Use (1) One #12 x 3" Flat Head Phillips Screw per hole to fasten.

*** When attaching bench board (Part C) in position 2 letter "C" engraved on board will be at left side of the bench. When attaching bench board (Part E) in position 4 letter "E" engraved on board will be on the left side of the bench.



#12 x 3" Flat Head
Phillips Screw

Step #6:

Position the bench arms (Part D) as shown above. Align the pilot holes to the pre-drilled holes in the bench board w/ arm holes. After the holes are properly aligned, fasten with (1) One #12 x 3" Flat Head Phillips Screw per hole.