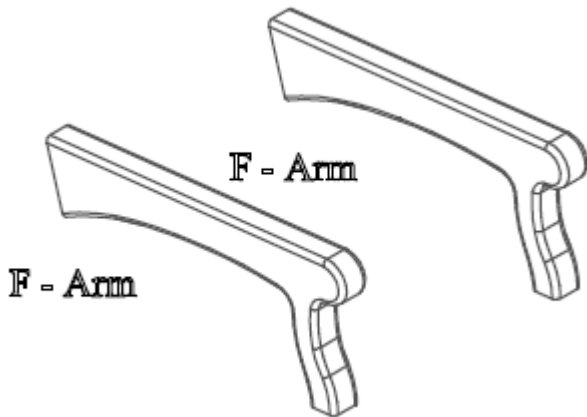
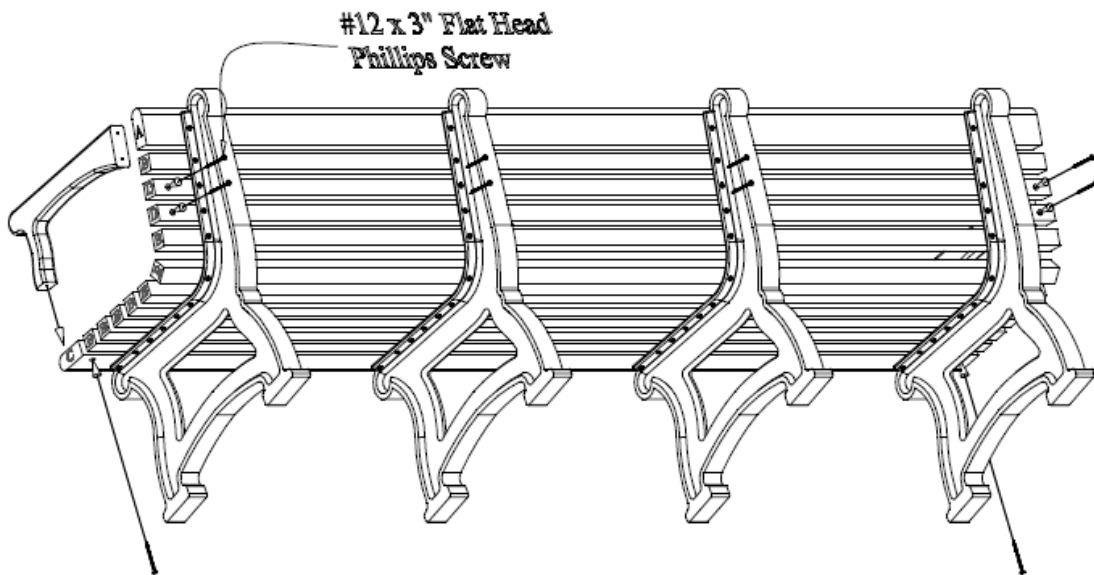


Optional Bench Arm Assembly Instructions



(2) - Two Arms
BP-BA-W-00



Align the pilot holes on the Arms to the pre-drilled holes on the bench boards w/ arm holes (C and D). After the holes are properly aligned, fasten with (1) One #12 x 3" Flat Head Phillips Screw per hole.