



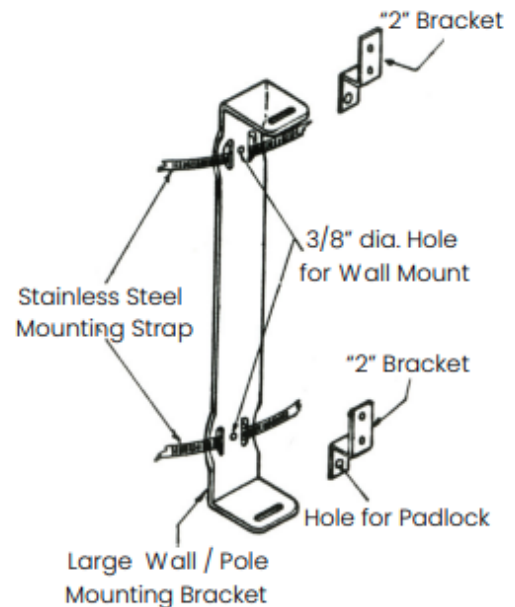
B-1022 BRACKET INSTALLATION

Bracket Kit Includes:

- (1) Large Pole/Wall Bracket
- (2) "2" Brackets
- (4) 1/4-20" x 1/2" Hex Head Bolts
- (4) 1/4-20" Nylock Nuts
- (2) Stainless Steel Straps

Mounting

1) Decide proper height for basket and mount large bracket to pole or wall. Bottom of bracket should be positioned 3/4" higher than final height to bottom of basket.



For Pole Mount

2) Insert straps as show through the top and bottom of large bracket and tighten onto pole. Cut off any unused portion of the strap. (Approximately 2" beyond the clip.)

For Wall Mount

2) Screw or bolt the large bracket, using the recommended hardware for your particular substrate, through the two large holes (3/8" dia.) located between the strap mounting slots on the large bracket.

To Mount "2" Brackets

3) Mount both "2" brackets on the baskets, with the pad lock hole flange pointing down, using (2) 1/4-10 x 1/2" hex head bolts and (2) nylock nuts per bracket.

