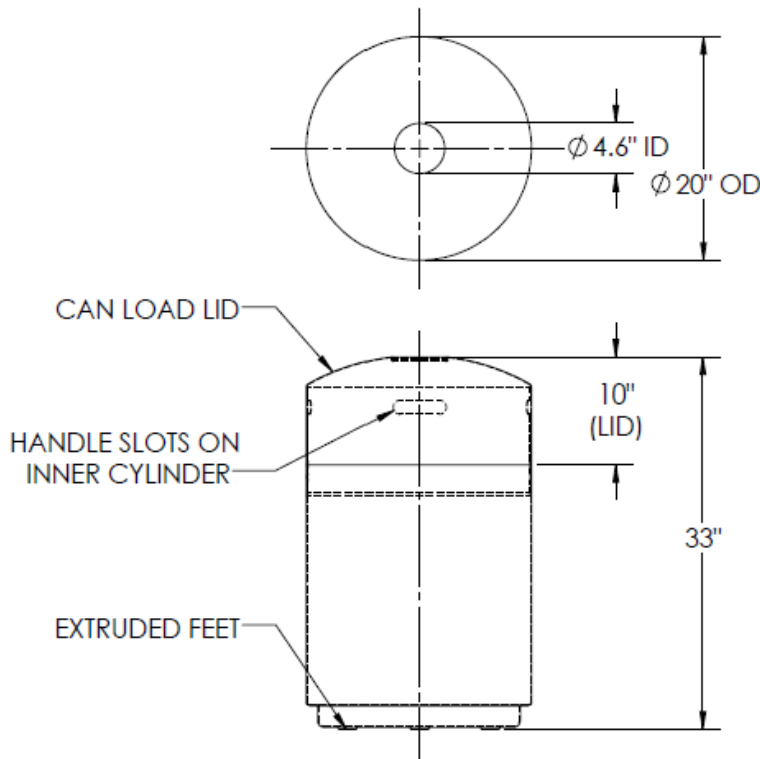




PART NO: **CLEANLINE.39.ES**

39 GALLON RECYCLABLE WASTE RECEPTACLE



## COMPONENTS:

**Inner Cylinder**.....18 Ga. (.05") Stainless Steel type 304. Rolled sheet welded to the interior of the receptacle equipped with four handle slots for bag stabilization in addition to ribbed features for a snug fit for the Top Load Lid.

**Outer Cylinder**.....18 Ga. (.05") Stainless Steel type 304 with a beautiful brush finish. The visually seamless rolled sheet fits flush with the Top Load Lid.

**Top Load Lid**.....18 Ga. (.05") Stainless Steel type 304. Concave Top Load Lid accommodates a sanitary "touchless" method of waste disposal.

**Base**.....14 Ga. (.07") Stainless Steel type 304. The recessed base is welded to the outer cylinder and furnished with hidden extruded feet to elevate the receptacle.

»Long-Lasting    »Corrosion and Rust Resistant    »Scratch-Resistant    »Durable    »Indoor and Outdoor use