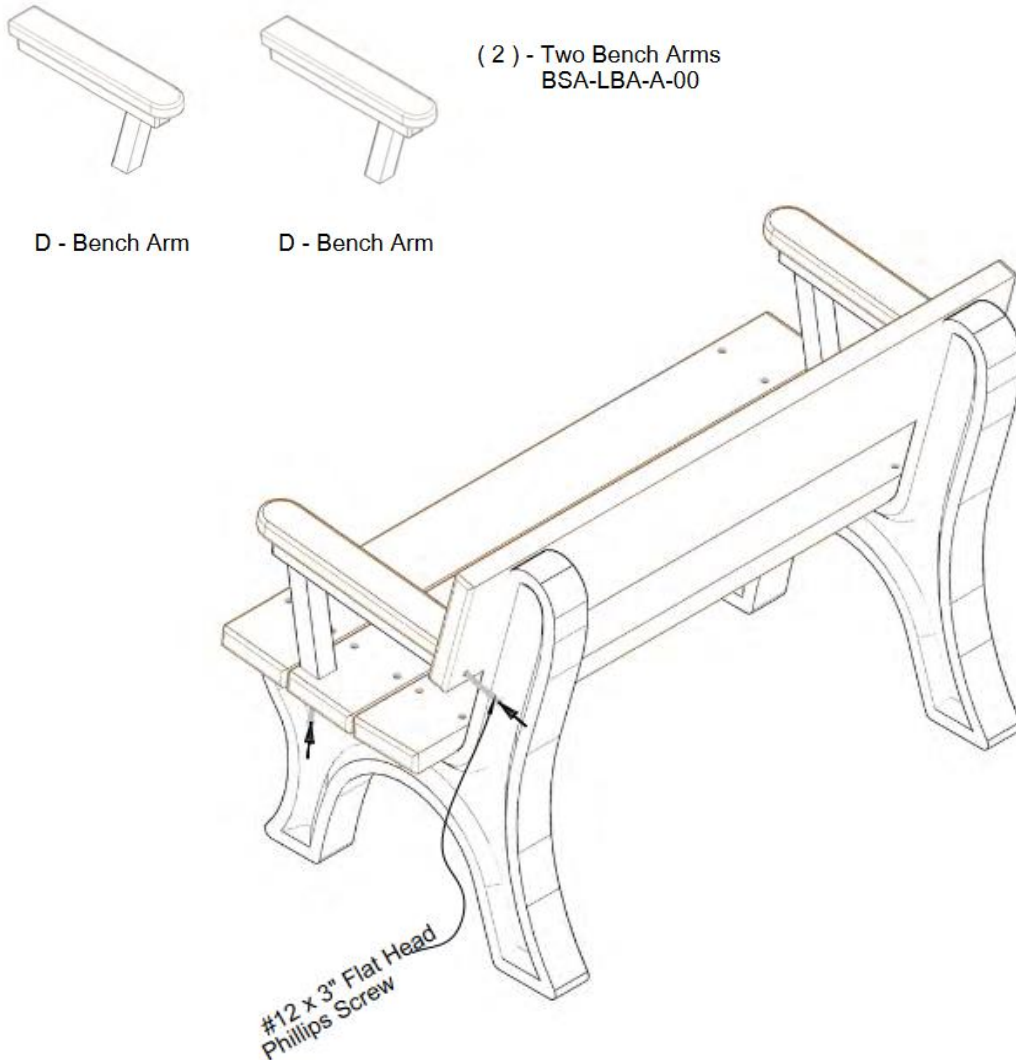


Optional Bench Arm Assembly Instructions



Position the bench arms (Part D) as shown above. Align the pilot holes in the arms to the pre-drilled holes in the bench boards w/ arm holes. After the holes are properly aligned, fasten with (1) One #12 x 3" Flat Head Phillips Screw per hole.