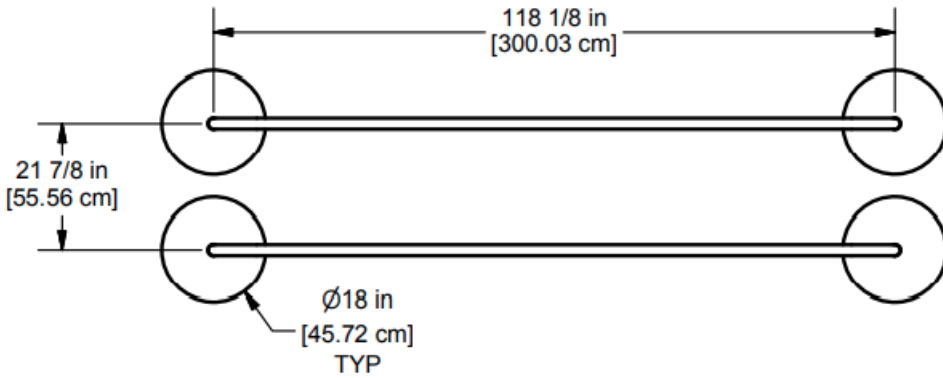


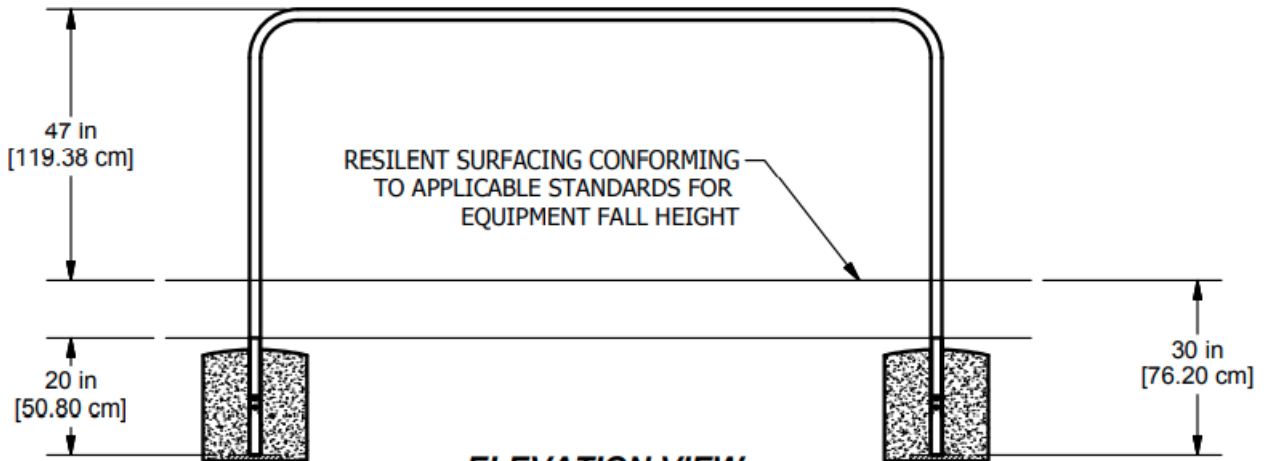
# UP263 PARALLEL BAR STATION



## PLAN VIEW

### **CONCRETE REQUIRED:**

0.44 CUBIC YARDS  
[0.33 CUBIC METERS]



## ELEVATION VIEW

## **INSTALLATION INSTRUCTIONS:**

**NOTE:** Read installation instructions thoroughly before starting assembly. Pour concrete only after final assembly is completed. Bracing material is required during assembly.

**NOTE:** Assembly and leveling times will be greatly reduced if a transit is used to set location and depth of ground holes.

1. Dig holes for Parallel Bar according to Plan View and Elevation View.

**NOTE:** Due to extremes in weather and soil conditions, hole size may have to be increased to meet local conditions.

2. Attach the Extensions (if required) to the Parallel Bars using 3/8" Tee-Nut, 3/8" Lockwasher, and 3/8" x 2" B.H.C.S. as shown in Detail 'A'. Place Parallel Bars and Sign Post into holes making sure they rest on the brick.

3. Level Parallel Bars using sway bracing.

**NOTE:** It is recommended that 2" x 4" braces be cut the same lengths as the distance between each set of Parallel Bars noted on Assembly Drawing. Use the braces between bars to hold distance until concrete is poured and cured.

4. Pour concrete according to the Plan View and Elevation View.

Parts List		
DESCRIPTION	QTY	PART NUMBER
PARALLEL EXTENSION	4	158535
PARALLEL BAR	2	158530
<b>HARDWARE COMPLETE</b>	1	403964
3/8" T-NUT	8	804556*
3/8" x 2" B.H.C.S.	8	811055*
3/8" LOCKWASHER	8	817334*
USAGE/WARNING LABEL	1	403856*

*Unless Otherwise Specified, All Units of Measure are Each*

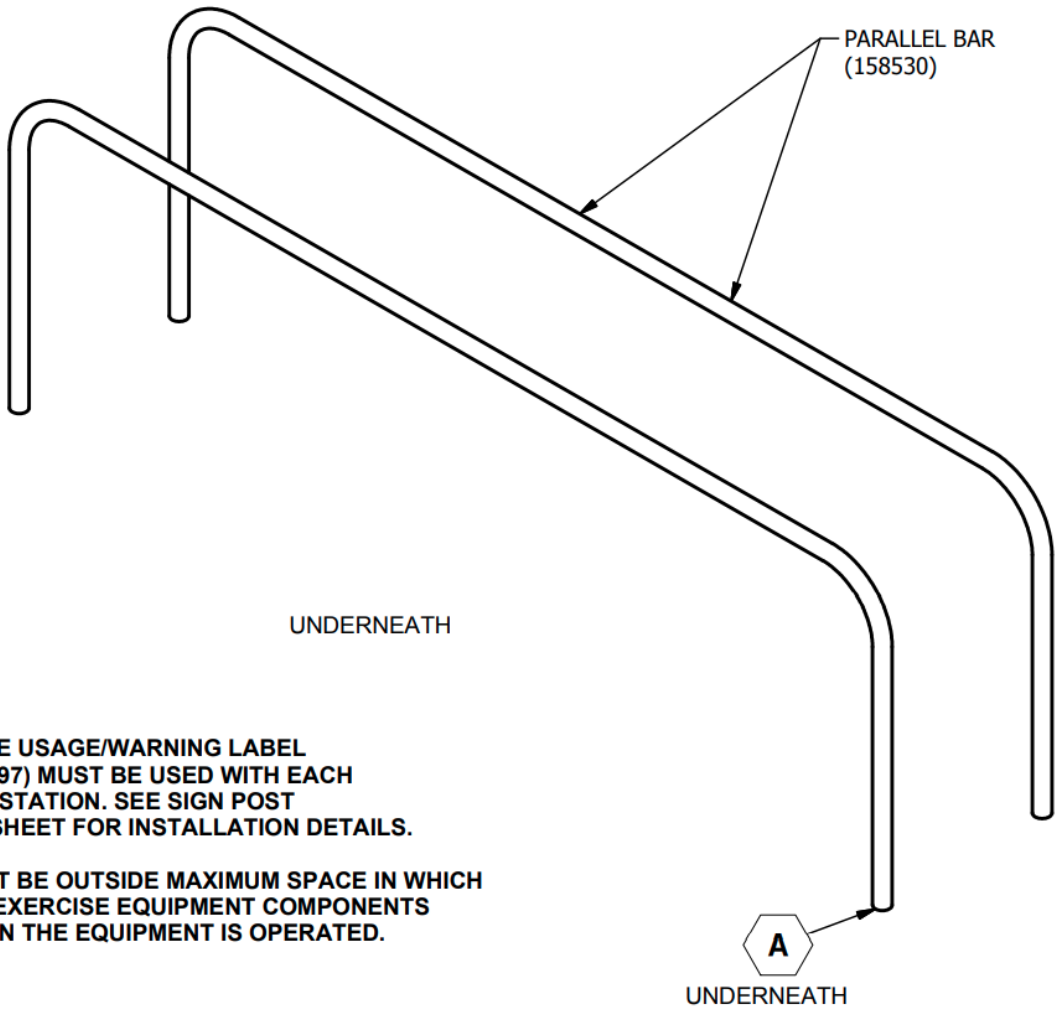
*\*Items listed below Hardware Complete line are included with Hardware Complete Number*

**Warning: During Installation, Hardware And Small Parts Are Choking Hazards For Young Children. Store Unused Parts Appropriately Until Assembly Is Completed. Once Assembly Is Completed, Remove Any Unused Parts From The Play Environment And Dispose/Save Them In A Secure Location. Any bolt end protruding more than two full threads beyond the face of the nut causes risk of clothing entanglement.**

**Promptly cut-off flush, file smooth, and treat to prevent corrosion.**

**Note: Peen Tee-Nuts and Flatwashers to match radius of pipe after assembly is complete.**

**Note: Loctite (supplied by others) should be used on any non-patch hardware.**

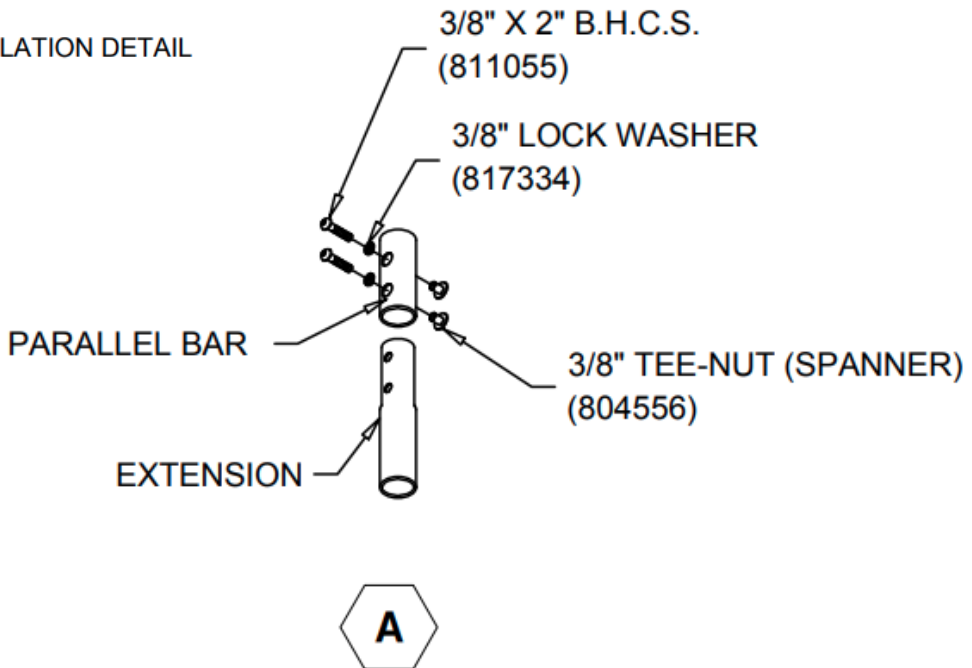


**NOTE:**  
 MINIMUM OF ONE USAGE/WARNING LABEL  
 SIGN POST (UP197) MUST BE USED WITH EACH  
 PARALLEL BAR STATION. SEE SIGN POST  
 INSTALLATION SHEET FOR INSTALLATION DETAILS.

SIGN POST MUST BE OUTSIDE MAXIMUM SPACE IN WHICH  
 THE USER AND EXERCISE EQUIPMENT COMPONENTS  
 TRAVERSE WHEN THE EQUIPMENT IS OPERATED.

**FINISHED ASSEMBLY**

⬡ = INSTALLATION DETAIL



# UP263 PARALLEL BAR STATION

## **MAINTENANCE PROCEDURE:**

Periodically check hardware for tightness, and tighten as necessary, also check if the entrapments and protrusions still satisfactory. Always check all metal parts for paint peeling, corrosion and touch up if necessary. Check all parts for cracks, breakage or wear, and immediately put equipment out of service until any faulty parts found are repaired or replaced. Check periodically resilient surfacing for appropriate depth and remove extraneous materials that could cause injury, infection, or disease. Maintain detailed installation, inspection, maintenance, and repair records for each public-use playground equipment.



(317) 223-8881

[occontact@occoutdoors.com](mailto:occontact@occoutdoors.com)