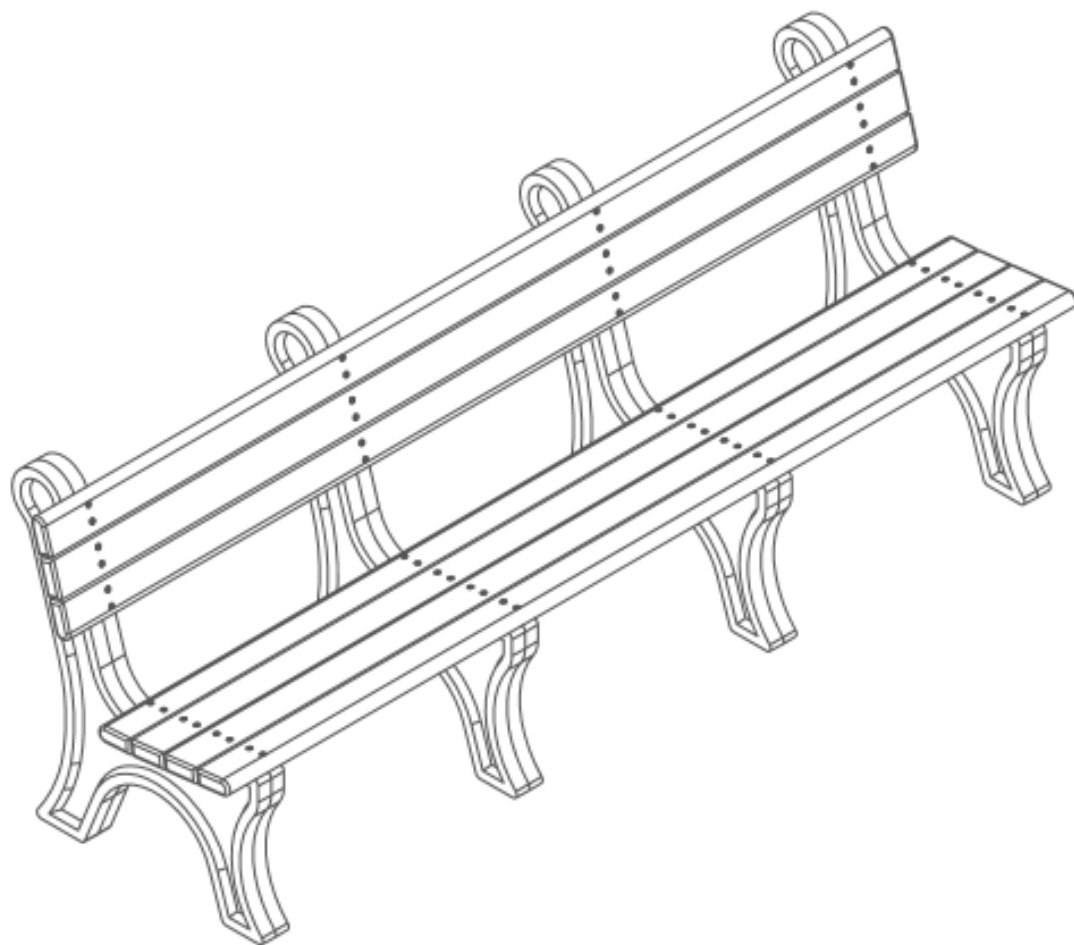


# 8 Foot Park Classic Bench

For Fastener Pack  
(FP-PC8B-CU-01)



Congratulations !!

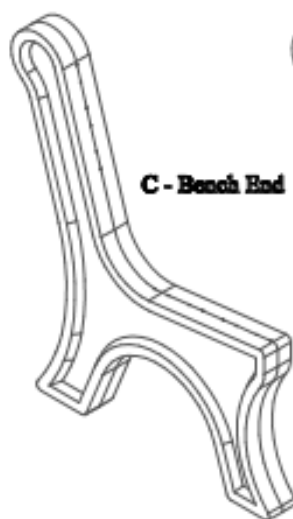
You have just purchased the finest recycled plastic  
park bench available. Enjoy !!!

Before assembly, please make sure all components are included.

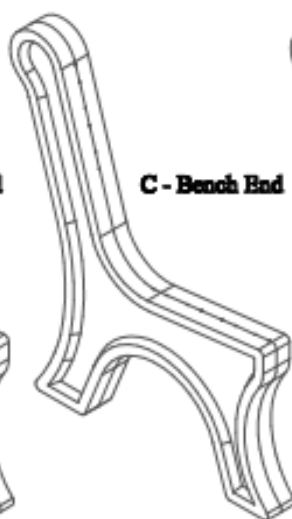


(1) - One Fastener Pack  
FP-PC8B-CU-01

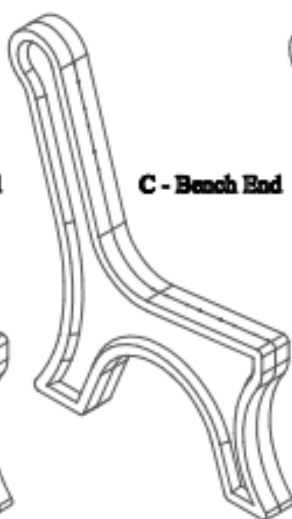
FP - Fastener Pack



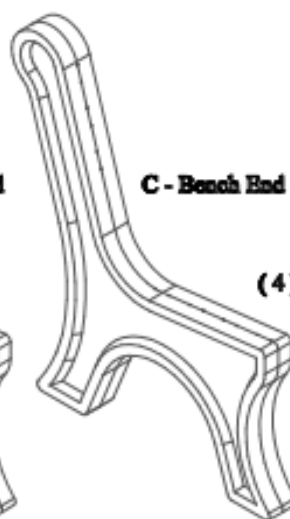
C - Bench End



C - Bench End



C - Bench End



C - Bench End

(4) - Four Bench Ends  
PS-BTBE-P-01



(4) - Four Bull Nose Bench Boards  
BP-PC8B-A-01



(3) - Three Bench Boards  
BP-DB8B-A-02

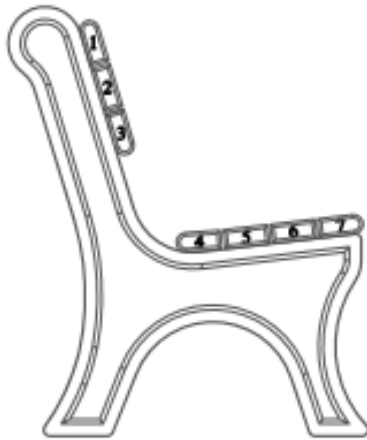
**Before assembly, please make sure all fasteners are included.**

**56 - #12 x 3" Flat Head Phillips Screw**



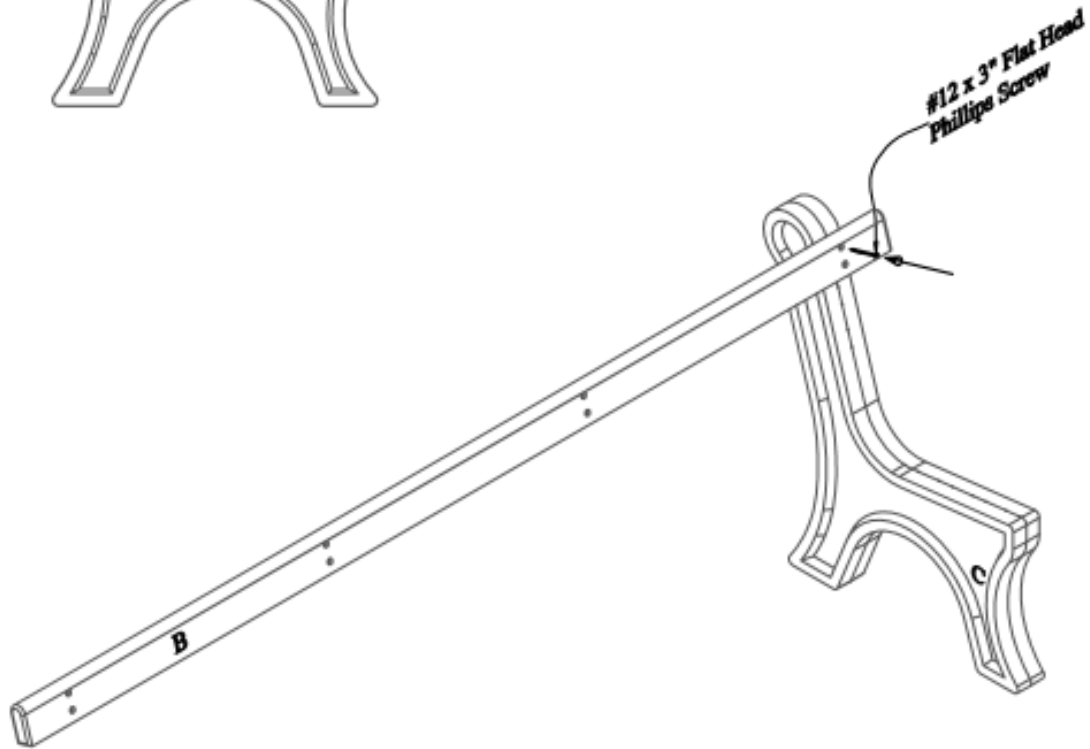
**Also needed for this assembly will be the following materials:**

**1 - #3 Phillips Drive Bit**



**Fig #1:**

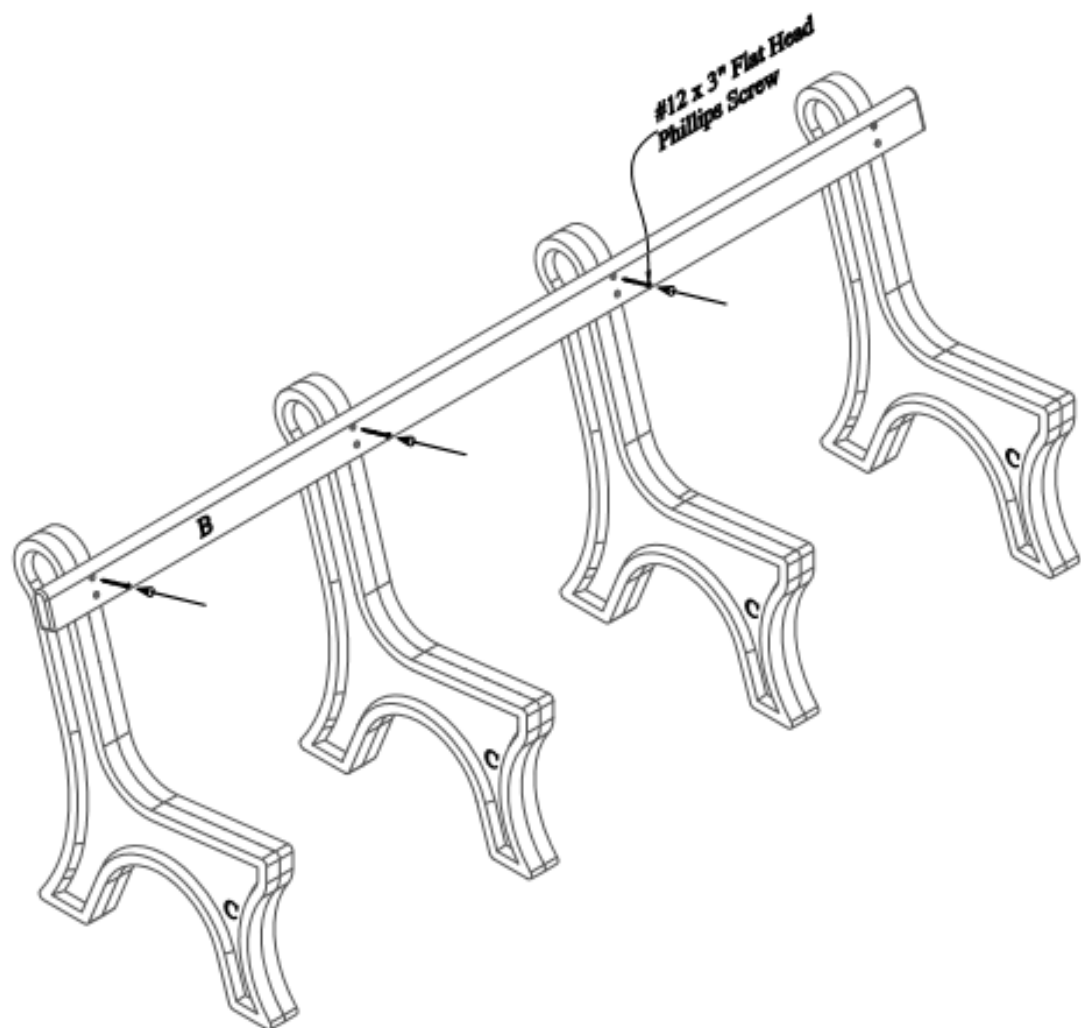
In order to make the assembly of this Park Classic Bench easier while going through the assembly process the board positions are numbered and will be referenced in later steps.



**Step #1:**

**Stand (1)** One bench end upright and place (1) One Bull Nose bench board on position 1 being sure to align the pre-drilled holes to the pilot holes in the bench end. After the holes are properly aligned, fasten with (1) One #12 x 3" Flat Head Phillips Screw in the top pre-drilled hole.

**Note:** Do not tighten screw completely. This will be done in a later step.



**Step #2:**

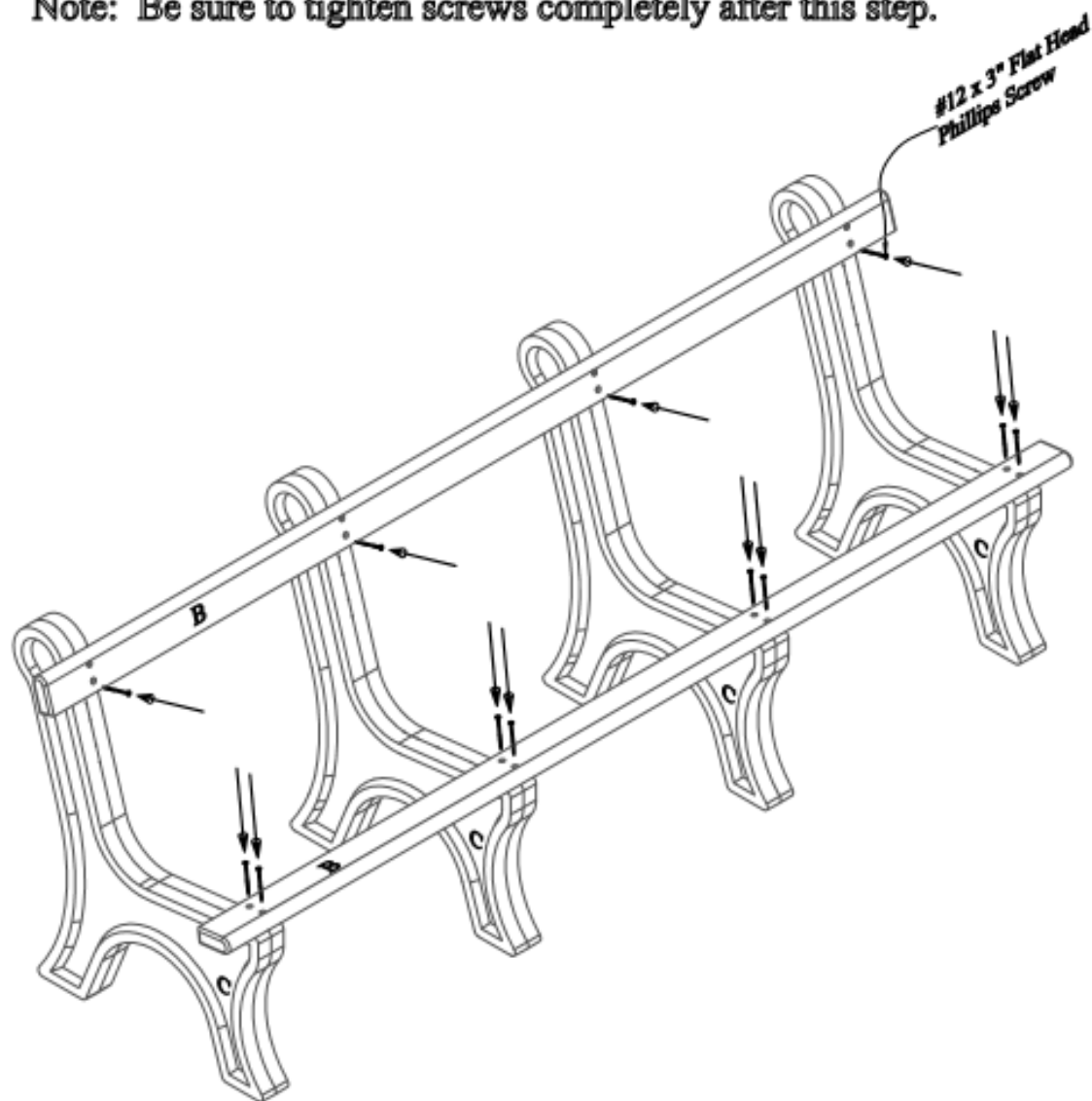
Stand the other (3) Three bench ends upright, one at a time, and place the bench board already attached to the first bench end, on position 1 being sure to align the pre-drilled holes to the pilot holes in the bench end. After the holes are properly aligned, fasten with (1) One #12 x 3" Flat Head Phillips Screw in the top pre-drilled hole.

**Note:** Do not tighten screws completely. This will be done in a later step.

**Step #3:**

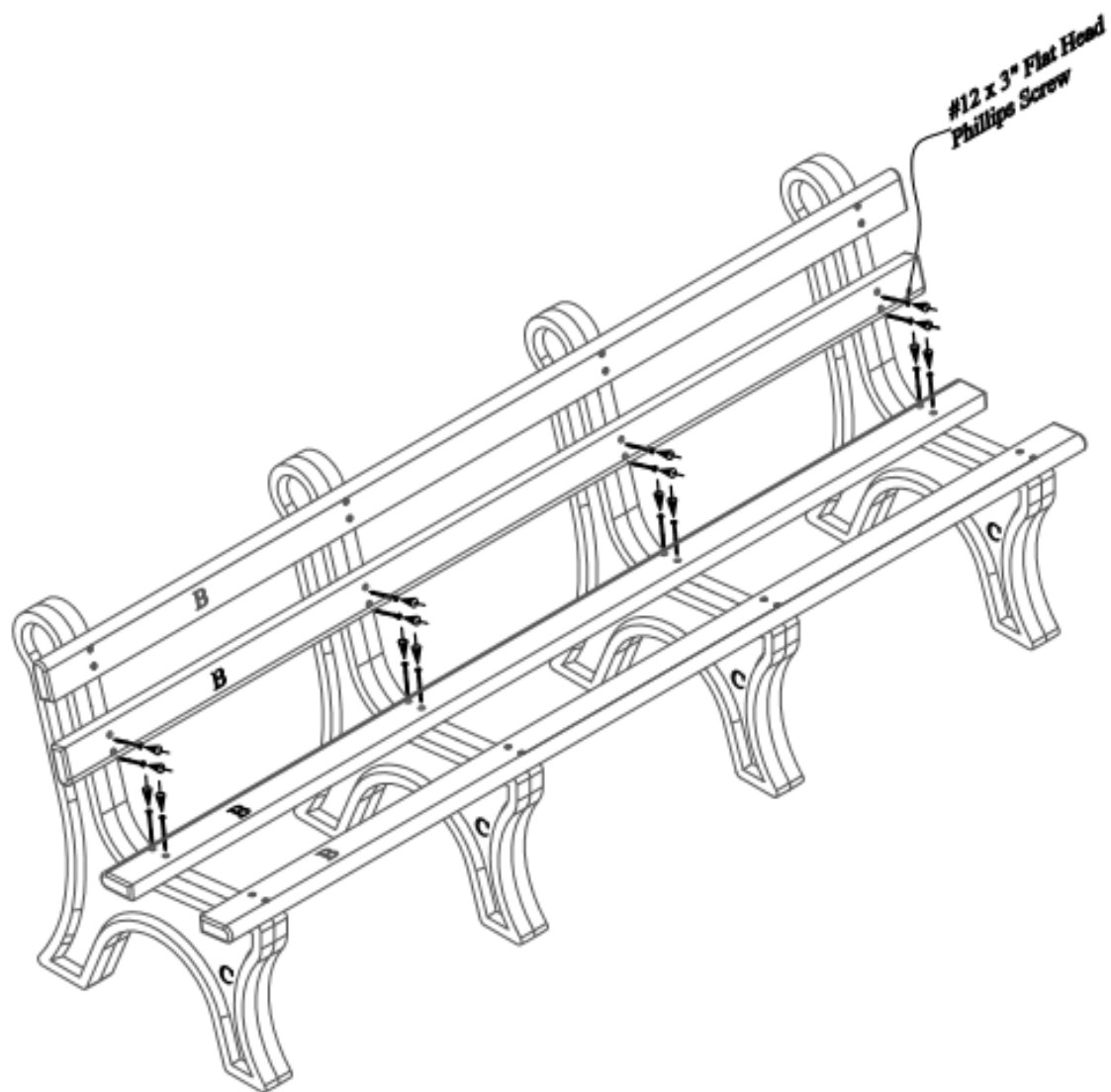
Align the bottom pre-drilled holes to the pilot holes in the bench end. After the holes are properly aligned, fasten with (1) One #12 x 3" Flat Head Phillips Screw per hole.

**Note:** Be sure to tighten screws completely after this step.



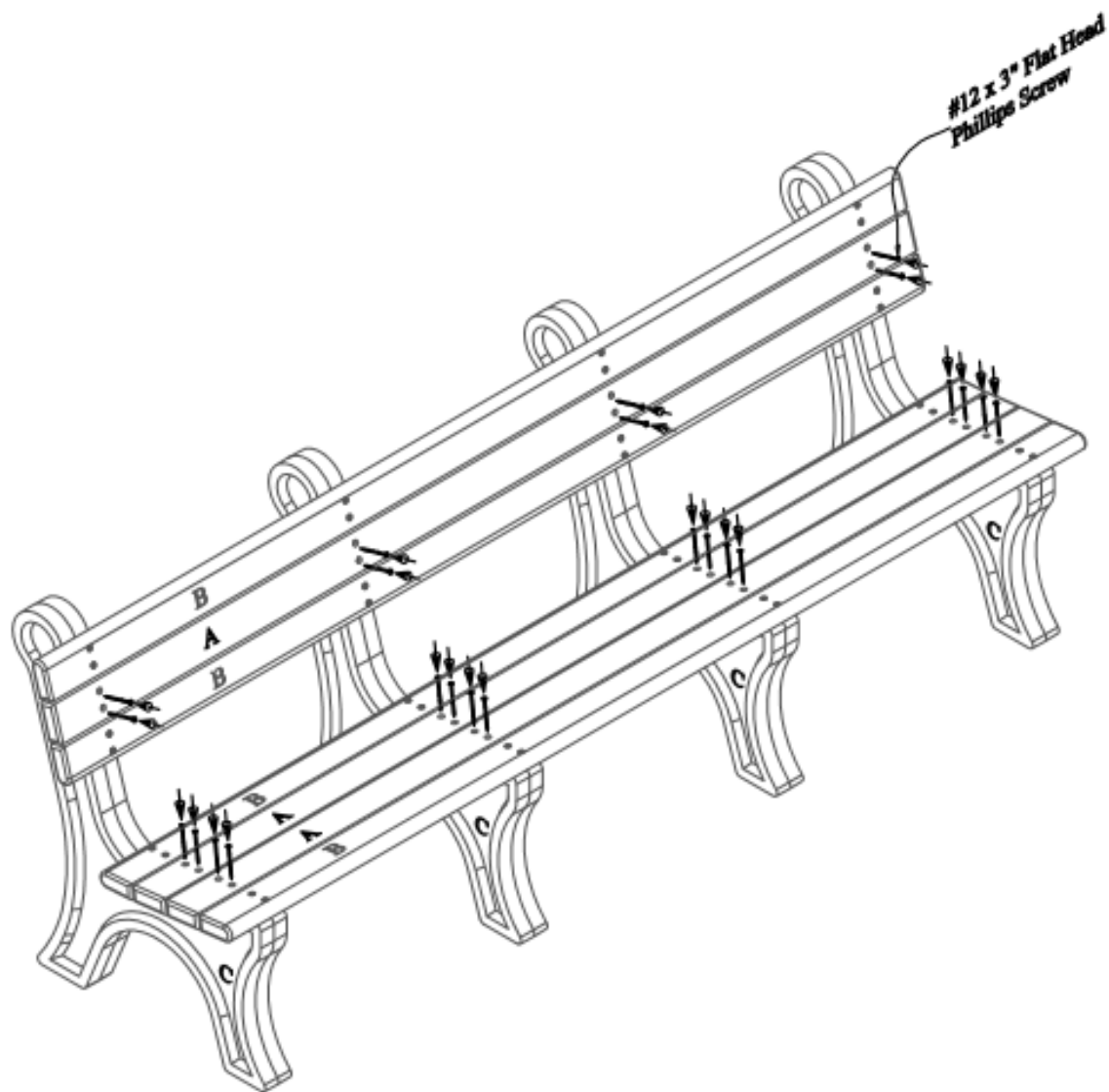
**Step #4:**

Place a second Bull Nose bench board on position 7. Repeat Steps 1 - 3 to attach. Use (1) One #12 x 3" Flat Head Phillips Screw per hole to fasten.



**Step #5:**

Repeat Steps 1 - 3 to attach Bull nose bench boards on positions 3 & 4.  
Use (1) One #12 x 3" Flat Head Phillips Screw per hole to fasten.



**Step #6:**

Repeat Steps 1 - 3 to attach bench boards on positions 2, 5 & 6. Use (1) One #12 x 3" Flat Head Phillips Screw per hole to fasten.