

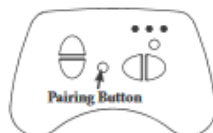
**Before first use, you MUST complete the steps below!**

## 1. Assemble Wheels

See Owner's Manual and assembly videos on [www.c3customcoolers.com/p/ownersmanual](http://www.c3customcoolers.com/p/ownersmanual)

## 2. Pair Remote to Cooler

- Install batteries in remote
- Switch cooler power to OFF position
- Hold down **Pairing Button** until LEDs flicker, continue holding
- Turn cooler ON (the motor will buzz when paired)
- Release **Pairing Button**



## 3. Charge Battery 10-12 hrs

**If you experience any issues, please complete the steps below prior to contacting customer service**

### 1. Complete quick start steps

See inside of this Quick Start Guide

### 2. Check connections

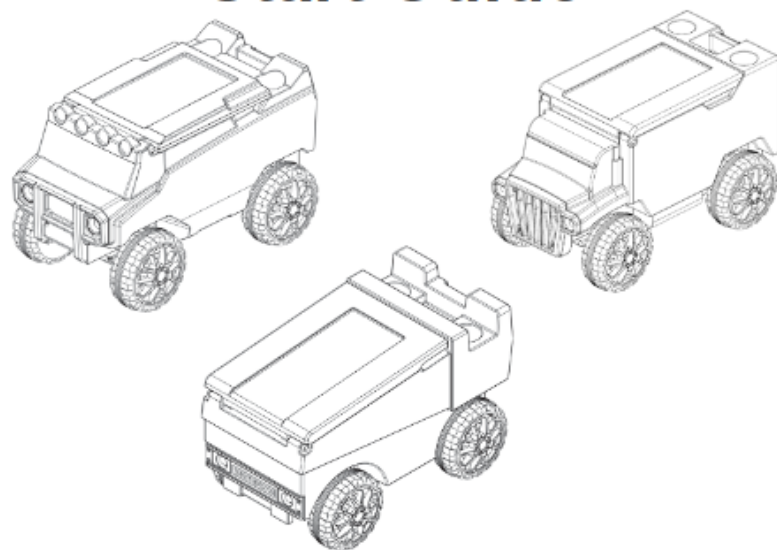
*Rough shipping & handling may loosen electronics connections*

- Switch cooler power to OFF position
- Remove four screws attaching large, plastic access panel
- Ensure all wire connectors are tightly connected
- Replace access panel

**C<sup>3</sup>**  
**COOLERS**

Remote Control Cooler

## Quick Start Guide



Applies to Models: ROVER, TRUCK, ZAMBONI

Styles and Colors May Vary










Designed, Molded and Assembled in the USA



**DO NOT SIT ON COOLER**  
**MAXIMUM LOAD CAPACITY 60 LBS**



## Parts

 (6) Washers	 (1) Lock nut	 (1) Front axle assembly	 (1) Front steering rod	 (4) Wheels	 (4) Hubcaps
 (1) Bolt	 (6) Cotter pins	 (1) Rear axle rod			

## Assembly

### Attaching Wheels

Tools required: Phillips head screwdriver, wrench or needle nose pliers

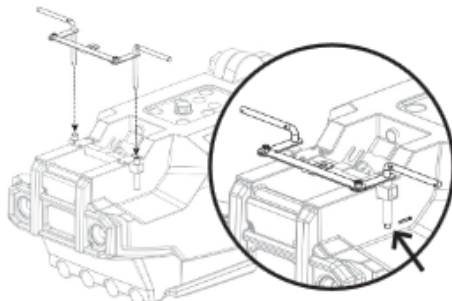
Assembly time: 10 minutes

#### Step 1

Insert front axle assembly as shown

Insert (1) cotter pin in both bottom ends of front axle assembly.

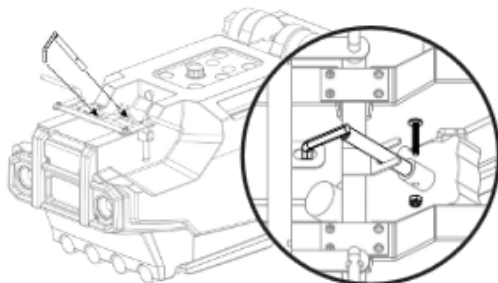
Using needle nose pliers, bend back longer end of cotter pin to secure.



#### Step 2

Insert steering rod into gear box.

Using a Phillips head screwdriver and wrench, secure steering rod in place with bolt and lock nut.



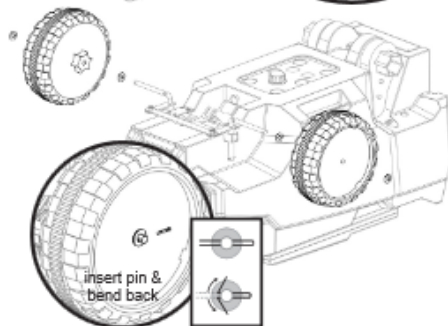
#### Step 3

Place a washer on left front axle, then wheel, then another washer.

Make sure the flat side of wheel faces out as shown. Insert (1) cotter pin through axle to secure wheels.

Using needle nose pliers, bend back longer end of cotter pin to secure.

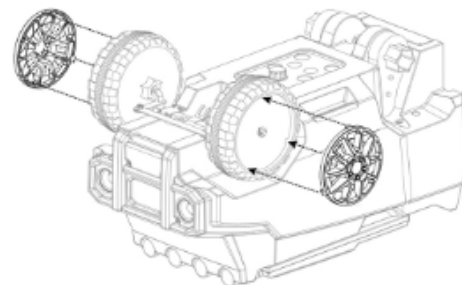
Repeat for right front axle.



#### Step 4

Line up notches on hubcaps with notches on wheels.

Gently press hubcaps to snap into place.

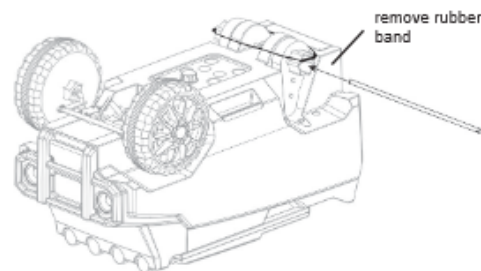


#### Step 5

Place cooler body upside down on a non-abrasive, clean surface.

Holding gear boxes firmly in place, slide rear axle through gear boxes.

Remove rubber band from rear gear box assembly.



#### Step 6

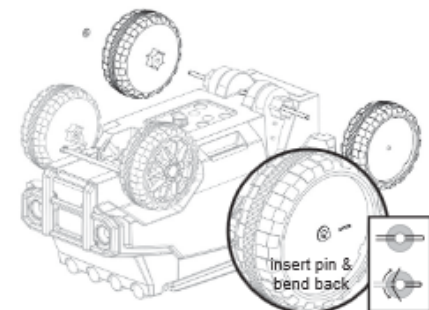
Place a wheel on left rear axle, then a washer.

Make sure the flat side of the wheel faces out as shown and inner wheel fits into gear box.

Insert (1) cotter pin through the axle to secure wheels.

Using needle nose pliers, bend back longer end of cotter pin to secure.

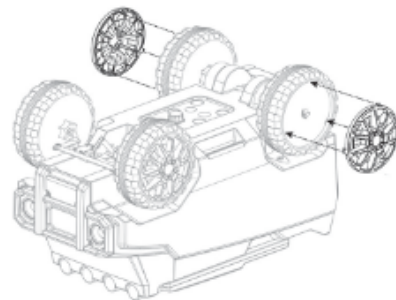
Repeat for right rear axle.



#### Step 7

Line up notches on hubcaps with notches on wheels.

Gently press hubcaps to snap into place.



#### Step 8

Pair cooler remote.  
Refer to back page.

#### Step 9

Charge battery for 12 hours.