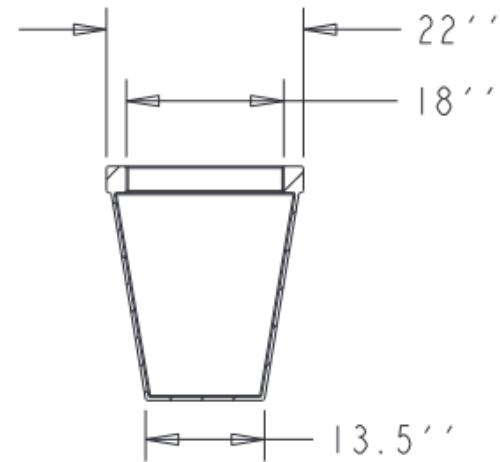
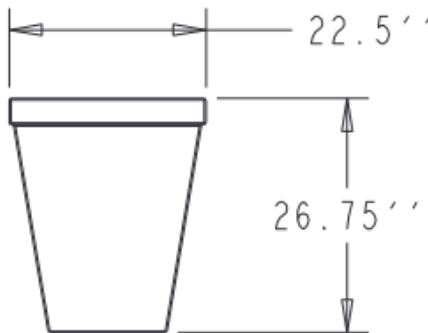


Specs at A Glance:

Top OD: 22.5''  
 Top ID: 18''  
 Base OD: 13.5''  
 Base ID: 9.9''  
 Volume: 4.35 Ft<sup>3</sup>  
 Gallons: 32.75 gallons  
 Height: 26.75''



DO NOT SCALE DRAWING.  
 All measurements are rounded to the closest quarter inch and may not be exact due to manufacturing variances.

|                     |             |                 |        |
|---------------------|-------------|-----------------|--------|
| <b>OCC Outdoors</b> |             |                 |        |
| MATERIAL:           | LLDPE RESIN | SCALE           | 0.050  |
| DRAWN BY            |             |                 |        |
| TITLE               |             |                 | I OF I |
| TBR-22              |             |                 |        |
| DATE                | PART #:     | BRICKELL-TBR-22 | REV    |
| May-08-15           | (A SIZE)    |                 | X I    |