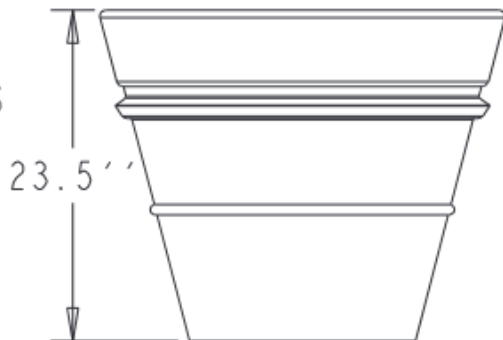


Ø 28.5''

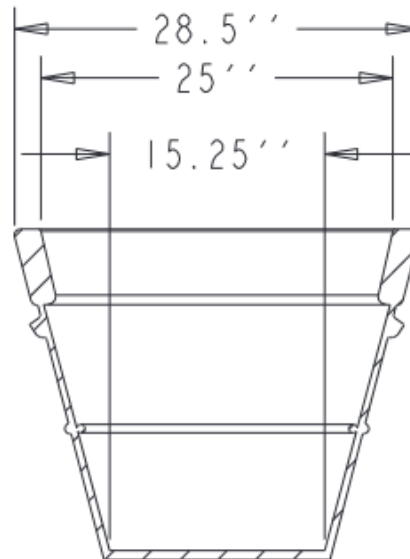


SPECS AT A GLANCE

Top ID: 25''
 Top OD: 28.5''
 BASE ID: 15.25''
 HEIGHT: 23.5''
 VOLUME: 32 GALLONS
 4.25 FT³



23.5''



28.5''

25''

15.25''

WEIGHT: 23 LBS

DO NOT SCALE DRAWING.
 All measurements are rounded to the closest quarter inch and may not be exact due to manufacturing variances.

OCC Outdoors			
MATERIAL:	LLDPE RESIN	SCALE	0.080
TITLE		TC2-26	1 OF 1
DATE	PART #:	TC2-26	REV
Nov-25-15	(A SIZE)		X1