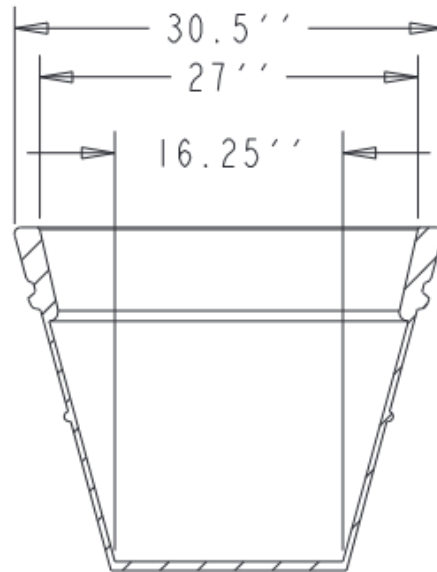
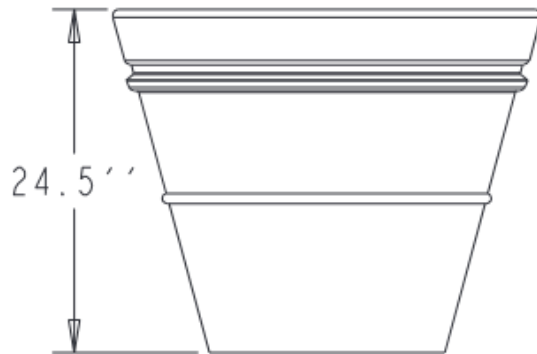


SPECS AT A GLANCE

Top ID: 27''  
 Top OD: 30.5''  
 BASE ID: 16.25''  
 HEIGHT: 24.5''  
 VOLUME: 39 GALLONS  
 5.2 FT^3

WEIGHT: 27 LBS



DO NOT SCALE DRAWING.  
 All measurements are rounded to the closest quarter inch and may not be exact due to manufacturing variances.

<b>OCC Outdoors</b>			
MATERIAL:	LLDPE RESIN	SCALE	0.080
		DRAWN BY	.....
TC2-28			1 OF 1
DATE	PART #:	TC2-28	REV
Nov-25-15	(A SIZE)		X 1