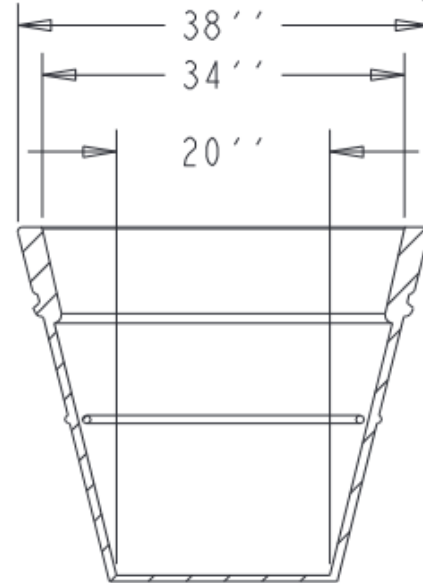
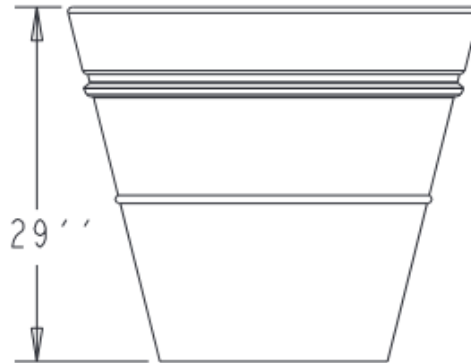


SPECS AT A GLANCE

Top ID: 34''
 Top OD: 38''
 BASE ID: 20''
 HEIGHT: 29''
 VOLUME: 72 GALLONS
 9.6 FT³

WEIGHT: 35.5 LBS



DO NOT SCALE DRAWING.
 All measurements are rounded to the closest quarter inch and may not be exact due to manufacturing variances.

OCC Outdoors			
MATERIAL: LLDPE RESIN		SCALE 0.060	DRAWN BY
TITL TC2-36			I OF I
DATE Nov-25-15	PART #: (A SIZE)		REV X1
TC2-36			