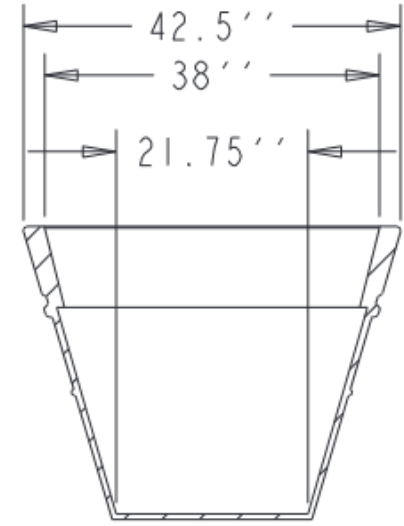
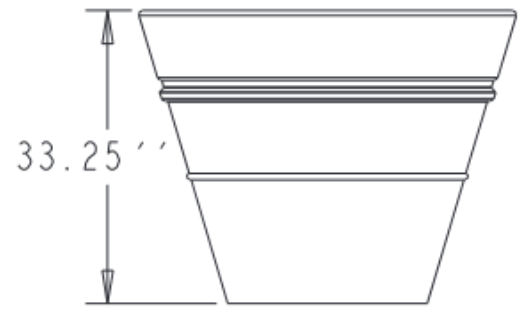
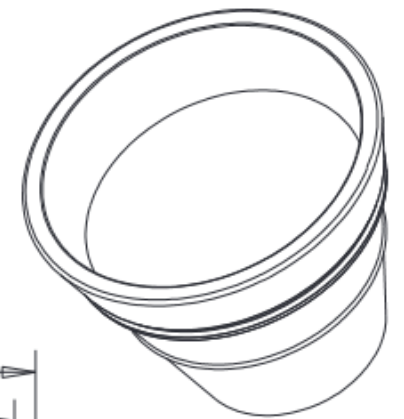
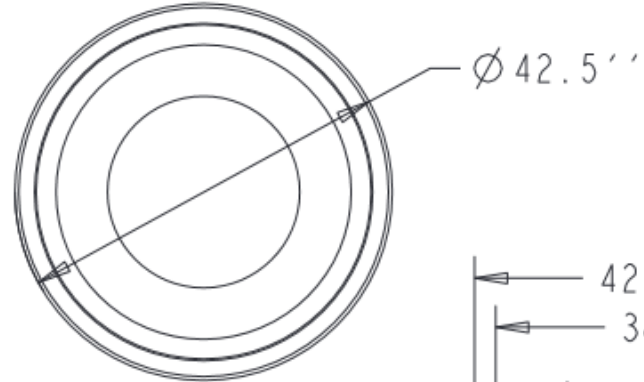




SPECS AT A GLANCE

Top ID: 38''  
 Top OD: 42.5''  
 BASE ID: 21.75''  
 HEIGHT: 33.25  
 VOLUME: 101 GALLONS  
 13.5 FT<sup>3</sup>

WEIGHT: 44 LBS



DO NOT SCALE DRAWING.  
 All measurements are rounded to the closest quarter inch and may not be exact due to manufacturing variances.

<b>OCC Outdoors</b>			
MATERIAL:	LLDPE RESIN	SCALE	0.050
		DRAWN BY	1
TITLE			I OF I
C2-40			
DATE	PART #:	TC2-40	REV
Nov-25-15	(A SIZE)		XI