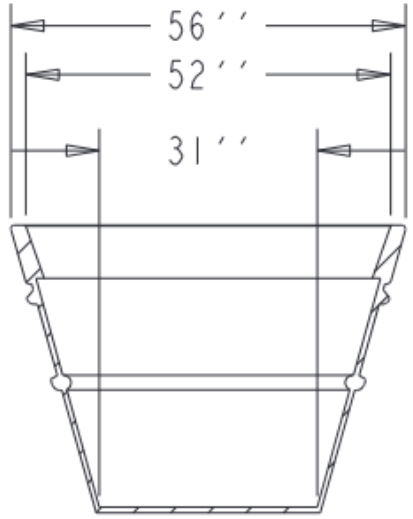
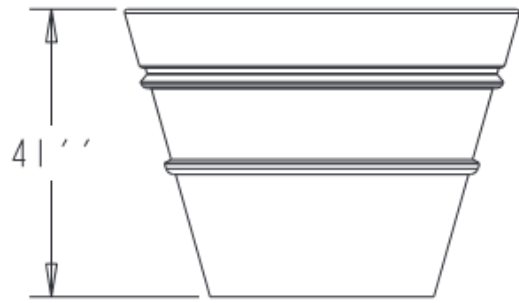


SPECS AT A GLANCE

Top ID: 52''  
 Top OD: 56''  
 BASE ID: 31''  
 HEIGHT: 41''  
 VOLUME: 196 GALLONS  
 26 FT<sup>3</sup>  
 WEIGHT: 70 LBS



DO NOT SCALE DRAWING.  
 All measurements are rounded to the closest quarter inch and may not be exact due to manufacturing variances.

<b>OCC Outdoors</b>			
MATERIAL:	LLDPE RESIN	SCALE	0.040
DRAWN BY			
TITLE			1 OF 1
TC2-56			
DATE	PART #:	TC2-56	REV
Nov-25-15	(A SIZE)		X1