

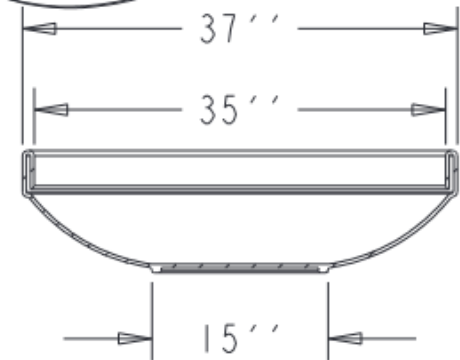
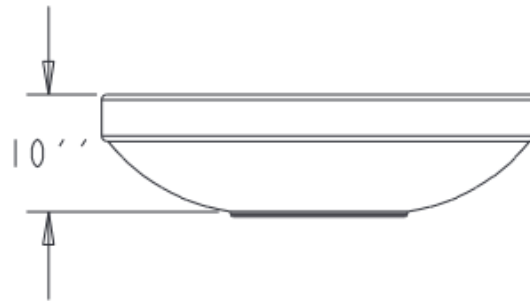
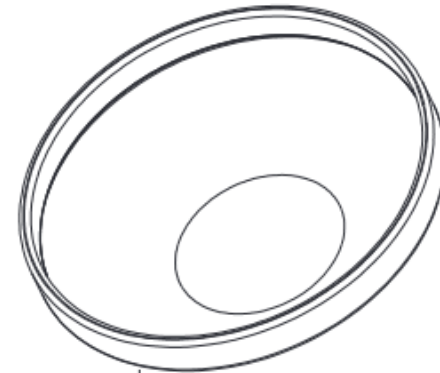
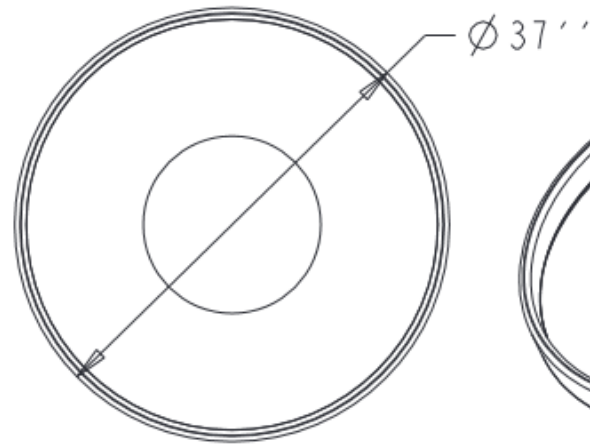


SPECS AT A GLANCE

BASE ID: 15''
 TOP ID: 35''
 TOP OD: 37''
 Height: 10''

VOLUME: 46 GALLONS
 6.2 FT³

WEIGHT: 18LBS



DO NOT SCALE DRAWING.
 All measurements are rounded to the closest quarter inch and may not be exact due to manufacturing variances.

OCC Outdoors			
MATERIAL:	SCALE	DRAWN BY	
LLDPE RESIN	0.067		
TCC-3			1 OF 1
DATE	PART #:	TCC-3	REV
Nov-25-15	(A SIZE)		X1