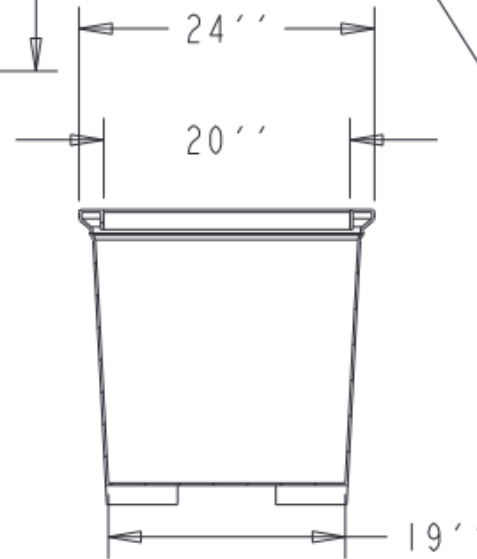
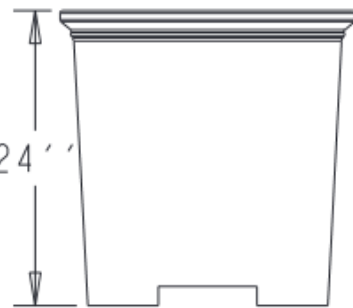


SPECS AT A GLANCE

TOP ID: 20''  
 TOP OD: 24''  
 BASE ID: 19''  
 HEIGHT: 24''  
 VOLUME: 40 GALLONS  
 5.25 FT<sup>3</sup>

WEIGHT: 23LBS



DO NOT SCALE DRAWING.  
 All measurements are rounded to the closest quarter inch and may not be exact due to manufacturing variances.

<b>OCC Outdoors</b>			
MATERIAL:	LLDPE RESIN	SCALE	0.070
TITLE		DRAWN BY	
tce-5			
DATE	PART #:	TCE-5	REV
Nov-25-15	(A SIZE)		X1