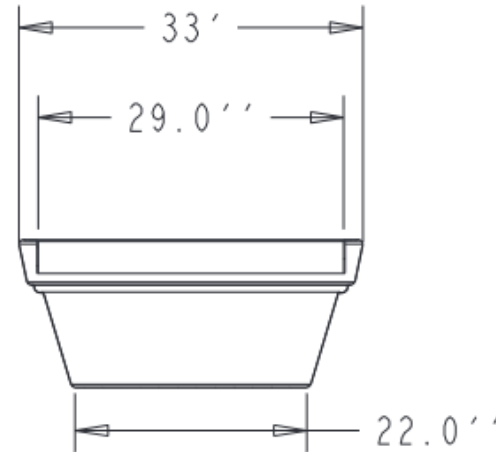


SPECS AT A GLANCE

TOP D: 29''  
 TOP OD: 33''  
 BASE ID: 22''  
 HEIGHT: 14''  
 VOLUME: 31 GALLONS  
 4.1 FT<sup>3</sup>

Weight: 18 LBS



DO NOT SCALE DRAWING.  
 All measurements are rounded to the closest quarter inch and may not be exact due to manufacturing variances.

<b>OCC Outdoors</b>			
MATERIAL:	LLDPE RESIN	SCALE	0.060
			DRAWN BY
TCF2M28			1 OF 1
DATE	PART #:	TCF2M28	
Apr-16-15	(A SIZE)		REV X1