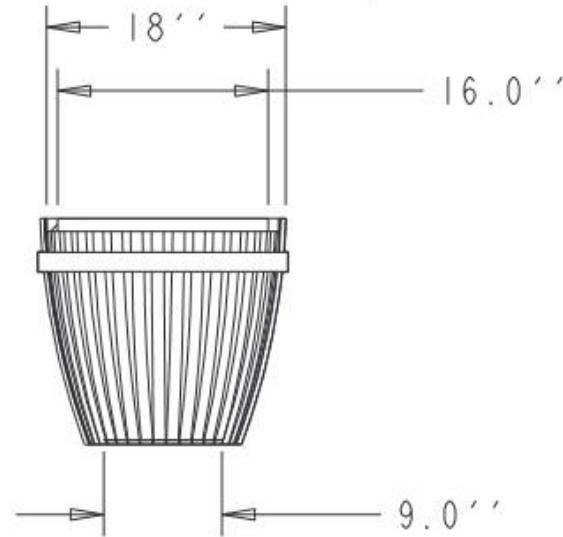
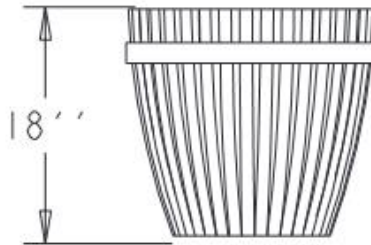
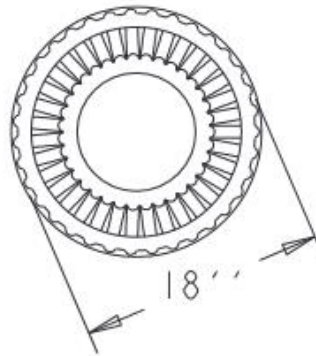




SPECS AT A GLANCE

TOP ID: 16''
 TOP OD: 18''
 BASE ID: 9''
 HEIGHT: 18''
 VOLUME: 12 GALLONS
 1.6 FT³
 WEIGHT: 8lbs



DO NOT SCALE DRAWING.
 All measurements are rounded to the closest quarter inch and may not be exact due to manufacturing variances.

OCC Outdoors			
MATERIAL: LLDPE RESIN		SCALE 0.075	DRAWN BY
TITLE H-20 FLUTED			I OF 1
DATE Apr-16-15	PART #: (A SIZE)		REV X1
		TCH-20	