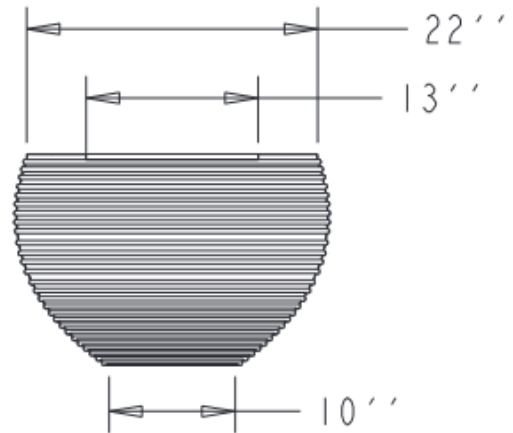
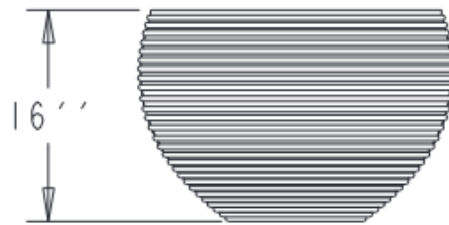


SPECS AT A GLANCE

TOP ID: 13''
 TOP OD: 22''
 BASE ID: 10''
 HEIGHT: 16''

VOLUME: 11.5 GALLONS
 1.5 FT³

WEIGHT: 9 lbs



DO NOT SCALE DRAWING.
 All measurements are rounded to the closest quarter inch and may not be exact due to manufacturing variances.

OCC Outdoors			
MATERIAL:	SCALE	DRAWN BY	
LLDPE RESIN	0.075		
TITLE			I OF I
L-3 GROOVED			
DATE	PART #:	REV	
Apr-16-15	(A SIZE)	TCL-3	X1