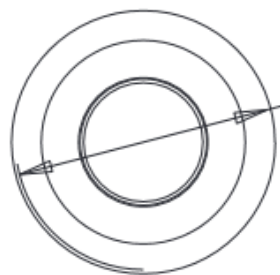
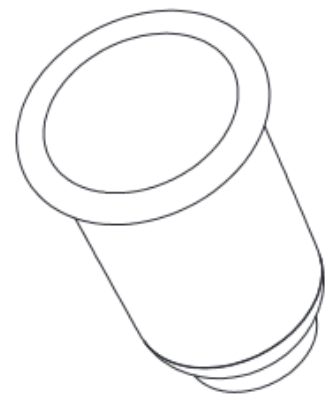


8 7 6 5 4 3 2 1

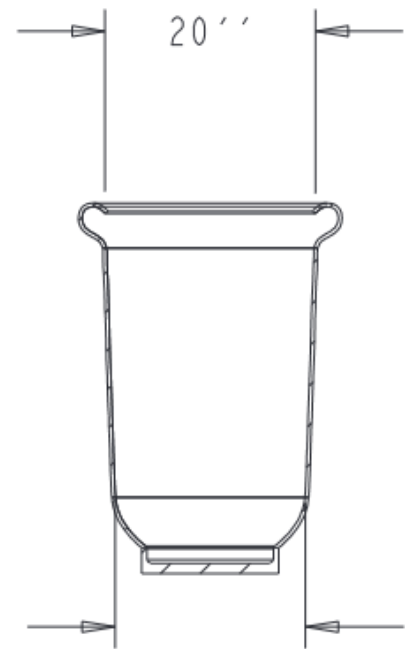
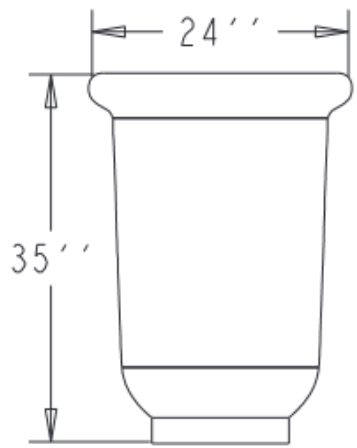


Ø 24



SPECS AT A GLANCE

TOP ID: 20''
TOP OD: 24''
BASE ID: 18''
HEIGHT: 35''
VOLUME: 47 GALLONS
6.3FT^3



WEIGHT: 27LBS

TCN-20L- Liner for trash recepticle
TCN-20A- Alumum spinning for ash tray

DO NOT SCALE DRAWING.
All measurements are rounded to the closest quarter inch and may not be exact due to manufacturing variances.

OCC Outdoors			
MATERIAL:	LLDPE RESIN	SCALE	0.060
TITLE		TCN-20	I OF I
DATE	MAY-12-15	PART #: (A SIZE)	TCN-20
			REV X I

8 7 6 5 4 3 2 1