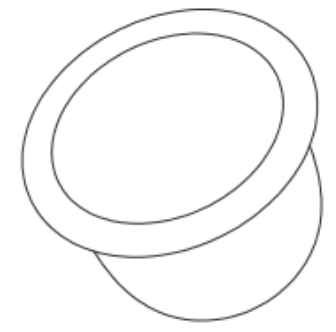
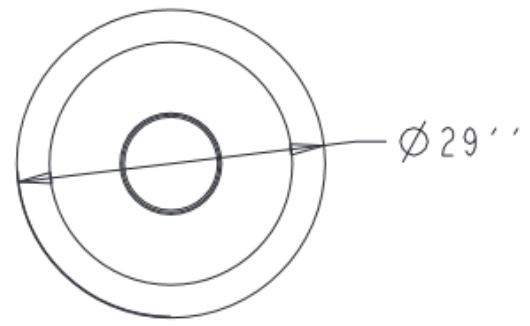
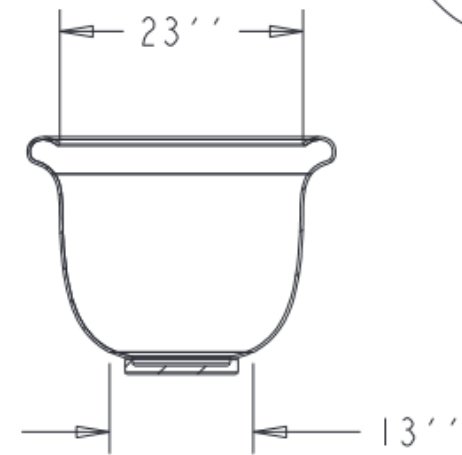
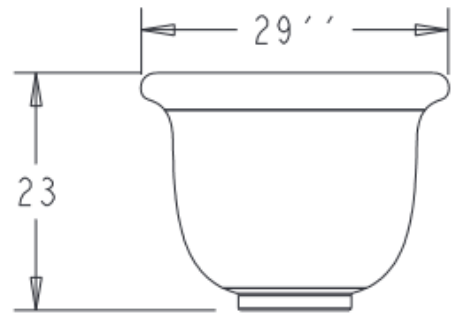


8 7 6 5 4 3 2 1



SPECS AT A GLANCE

TOP ID: 23''
TOP OD: 29''
BASE ID: 13''
HEIGHT: 23''
VOLUME: 32 GALLONS
4.3 FT^3



D
C
B
A

D
C
B
A

DO NOT SCALE DRAWING.
All measurements are rounded to the closest quarter inch and may not be exact due to manufacturing variances.

OCC Outdoors			
MATERIAL:	LLDPE RESIN	SCALE	0.060
TITLE		TCN-30	1 OF 1
DATE	MAY-12-15	PART #:	TCN-30
		(A SIZE)	REV X1

8 7 6 5 4 3 2 1