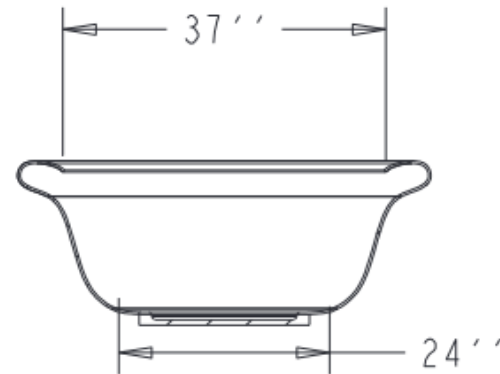
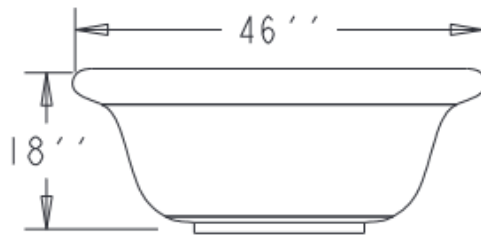
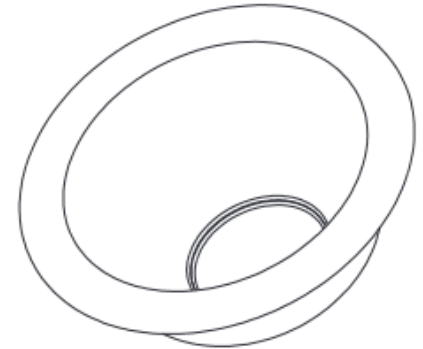
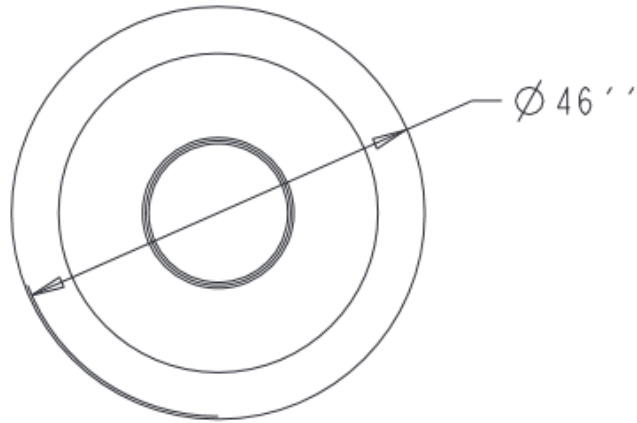




SPECS AT A GLANCE

TOP ID: 37''
 TOP OD: 46''
 BASE ID: 24''
 HEIGHT: 18''
 VOLUME: 84 GALLONS
 11 FT^3

WEIGHT: 40LBS



DO NOT SCALE DRAWING.
 All measurements are rounded to the closest quarter inch and may not be exact due to manufacturing variances.

OCC Outdoors			
MATERIAL:	LLDPE RESIN	SCALE	0.050
TITLE		TCN-49	
DATE	PART #:	TCN-49	REV
May-12-15	(A SIZE)		X1