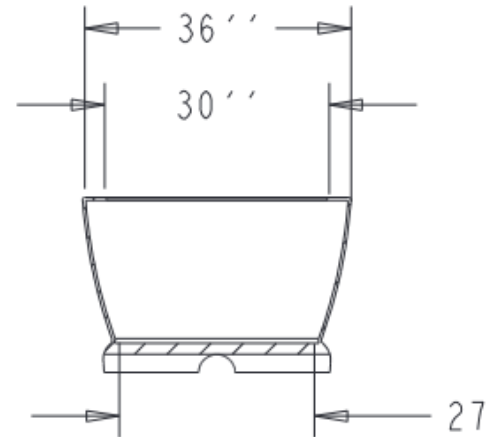


SPECS AT A GLANCE

TOP ID: 30''  
 TOP OD: 36''  
 BASE ID: 27''  
 HEIGHT: 24''  
 VOLUME: 73 GALLONS  
 9.8 FT<sup>3</sup>

WEIGHT: 35 LBS



DO NOT SCALE DRAWING.  
 All measurements are rounded to the closest quarter inch and may not be exact due to manufacturing variances.

<b>OCC Outdoors</b>			
MATERIAL:	LLDPE RESIN	SCALE	0.042
TITLE		DRAWN BY	
TCP-36			
DATE	PART #:	TCP-36	REV
Oct-29-14	(A SIZE)		X 1