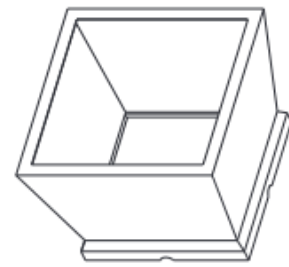
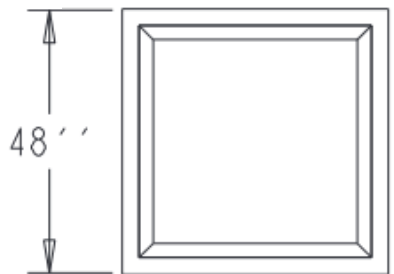
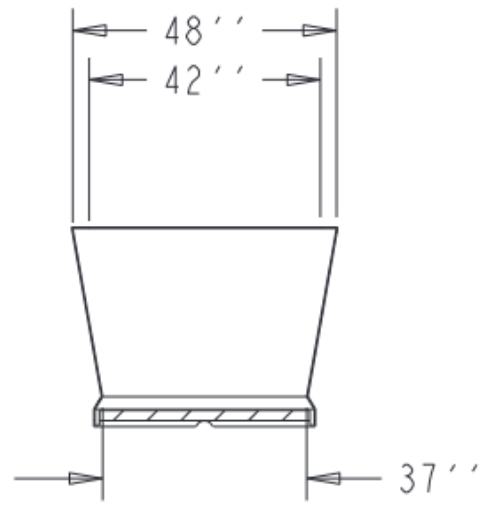
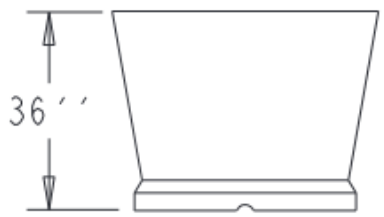


8 7 6 5 4 3 2 1



SPECS AT A GLANCE

TOP ID: 42''  
TOP OD: 48''  
BASE ID: 37''  
HEIGHT: 36''  
VOLUME: 206 GALLONS  
27.5 FT^3  
  
WEIGHT: 120 LBS



D  
C  
B  
A

D  
C  
B  
A

DO NOT SCALE DRAWING.  
All measurements are rounded to the closest quarter inch and may not be exact due to manufacturing variances.

<b>OCC Outdoors</b>			
MATERIAL:	LLDPE RESIN	SCALE	0.031
TITLE		TCP-48	
DATE	PART #:	TCP-48	REV
Oct-30-14	(A SIZE)		X 1

8 7 6 5 4 3 2 1