

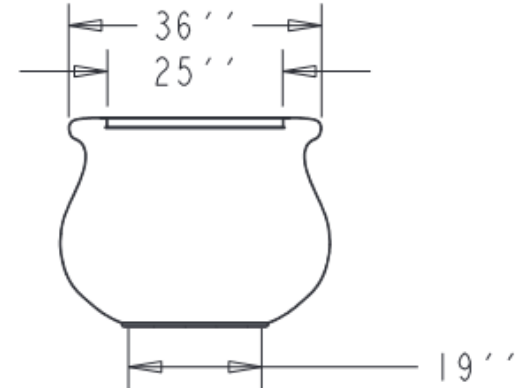
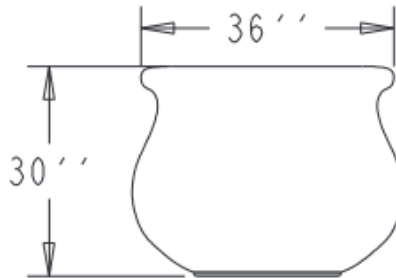
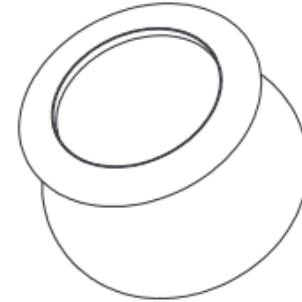
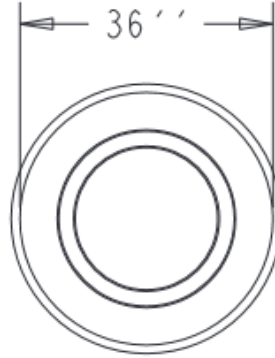


SPECS AT A GLANCE

TOP ID: 25''
 TOP OD: 36''
 BASE ID: 19''
 HEIGHT: 30''

VOLUME: 92 GALLONS
 12.25 FT³

WEIGHT: 35LBS



DO NOT SCALE DRAWING.
 All measurements are rounded to the closest quarter inch and may not be exact due to manufacturing variances.

OCC Outdoors			
MATERIAL:	LLDPE RESIN	SCALE	0.040
DRAWN BY			
TITLE			1 OF 1
TCSB-1			
DATE	PART #:	TCSB-1	REV
Nov-25-15	(A SIZE)		XI