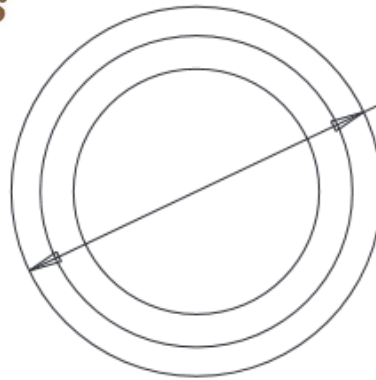




SPECS AT A GLANCE

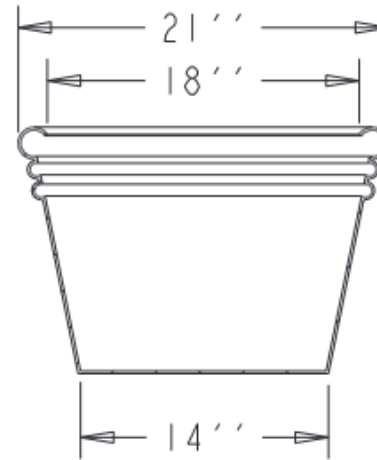
TOP ID: 15''  
 TOP OD: 21''  
 BASE ID: 18''  
 HEIGHT: 14''  
 VOLUME: 12 Gallons  
 WEIGHT: 10 lbs



Ø21''



14''



<b>OCC Outdoors</b>			
MATERIAL: LLDPE RESIN	SCALE 0.100	DRAWN BY .....	
TDC-3			1 OF 1
DATE Jul-01-16	PART #: (A SIZE)	TDC-3	REV X1

DO NOT SCALE DRAWING.  
 All measurements are rounded to the closest quarter inch and may not be exact due to manufacturing variances.