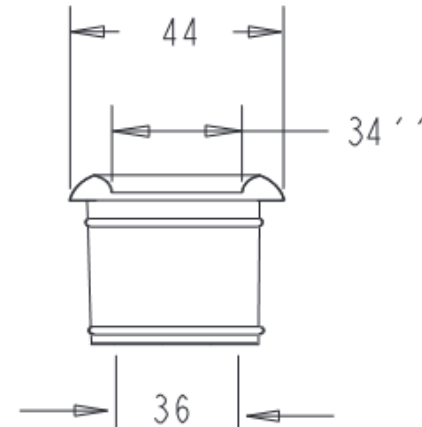
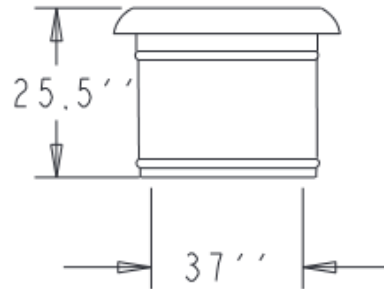


SPECS AT A GLANCE

TOP ID: 34'' x 34''
 TOP OD 44'' x 44''
 BASE ID: 36'' x 36''
 HEIGHT: 25.5''
 VOLUME: Gallons
 WEIGHT: 48.5



DO NOT SCALE DRAWING.
 All measurements are rounded to the closest quarter inch and may not be exact due to manufacturing variances.

OCC Outdoors			
MATERIAL:	LLDPE RESIN	SCALE	0.032
DRAWN BY			
TITLE			1 OF 1
THP - 44			
DATE	PART #:	THP - 44	REV
Jul-01-16	(A SIZE)		XI