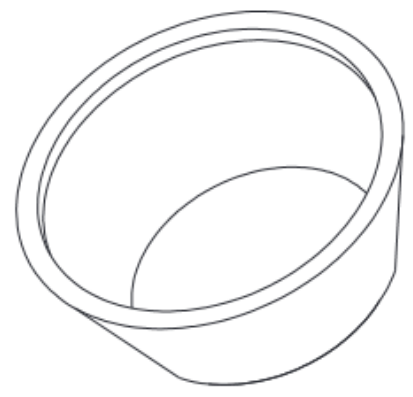
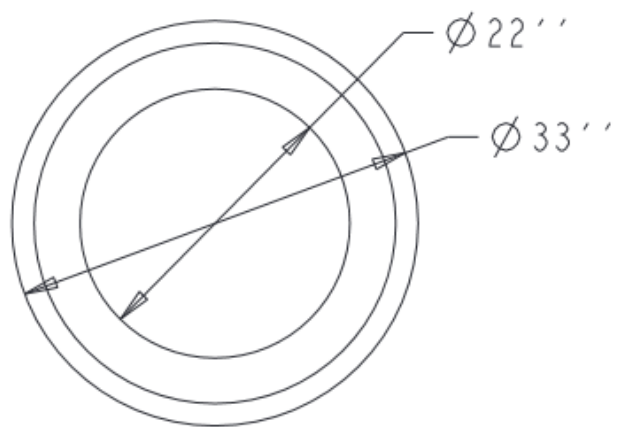


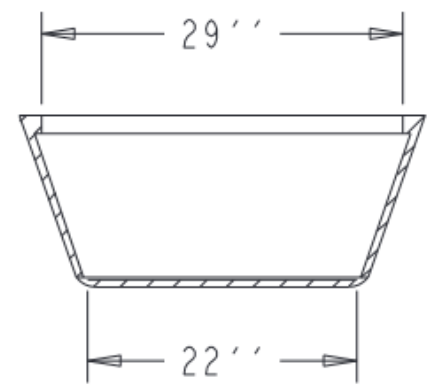
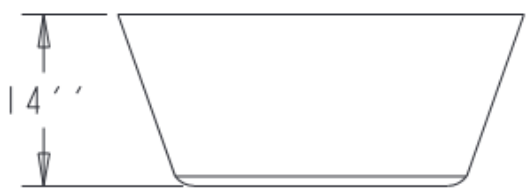
8 7 6 5 4 3 2 1



SPECS AT A GLANCE

TOP ID: 29''
TOP OD: 33''
BASE ID: 22''
HEIGHT: 14''
VOLUME: 33.5 Gallons

WEIGHT: 18Lbs



D
C
B
A

D
C
B
A

DO NOT SCALE DRAWING.
All measurements are rounded to the closest quarter inch and may not be exact due to manufacturing variances.

OCC Outdoors			
MATERIAL:	LLDPE RESIN	SCALE	0.070
DRAWN BY			
TITLE			I OF 1
TJP - 30			
DATE	PART #:	TJP - 30	REV
02-10-17	(A SIZE)		X 1

8 7 6 5 4 3 2 1