



D

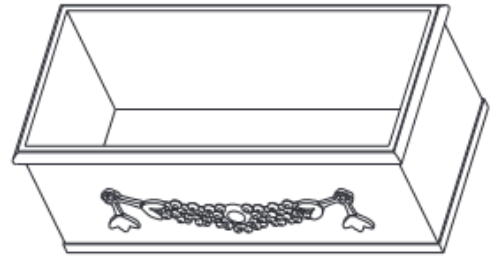
c

B

A

36''

17''

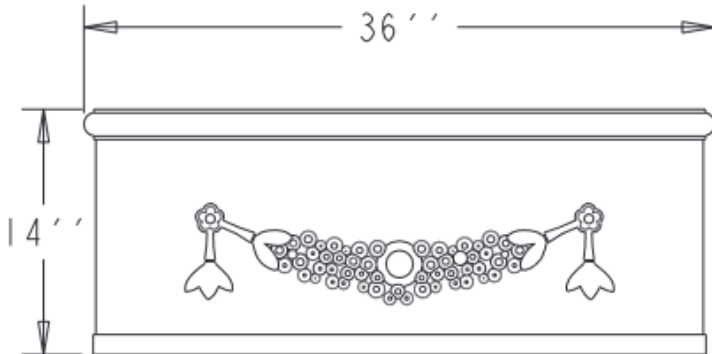


SPECS AT A GLANCE

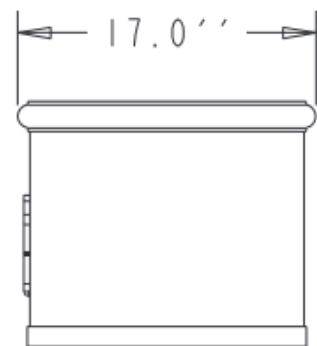
Length 36''  
 Width 17''  
 Height 14''

VOLUME: 28 GALLONS  
 3.75 FT<sup>3</sup>

WEIGHT: 23 LBS



14''



17.0''

DO NOT SCALE DRAWING.  
 All measurements are rounded to the closest quarter inch and may not be exact due to manufacturing variances.

<b>OCC Outdoors</b>			
MATERIAL:	SCALE	DRAWN BY	
LLDPE RESIN	0.067		
TITLE			I OF I
TGR-5			
DATE	PART #:	TGR-5	REV
Nov-25-15	(A SIZE)		XI

D

c

B

A

8

7

6

5

4

3

2

1

8

7

6

5

4

3

2

1