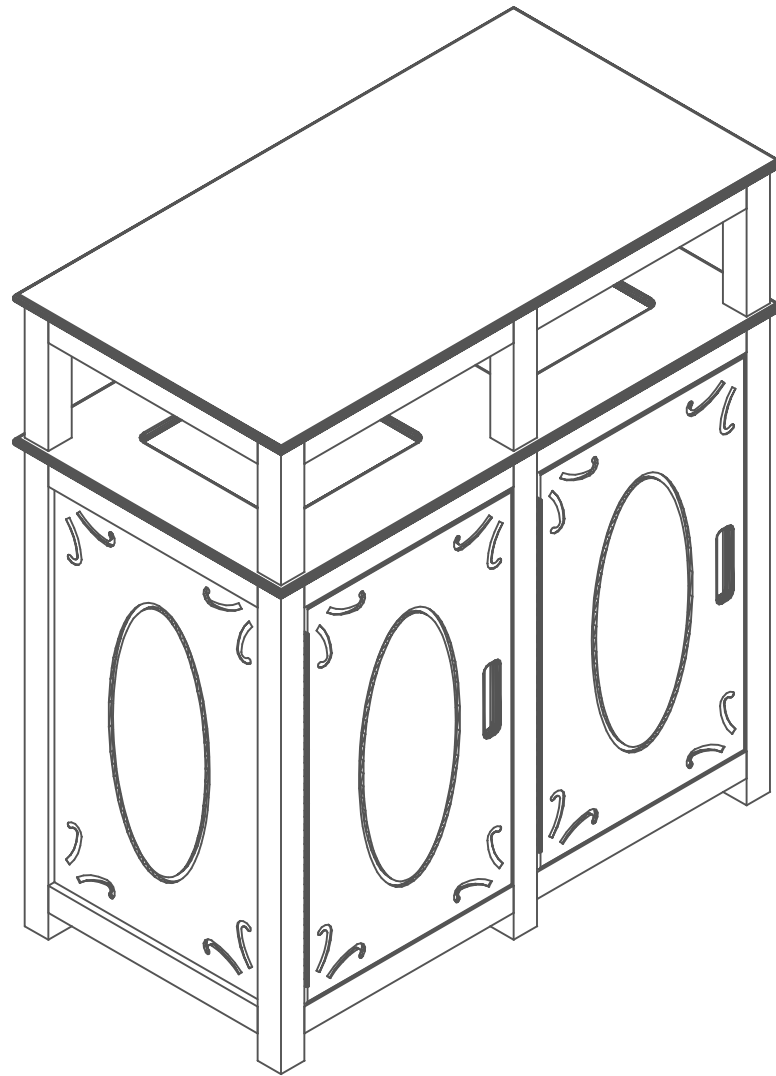


# 2T32 Trash Can

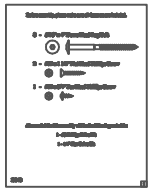
For Fastener Pack  
(FP-2T32-CAP-01)



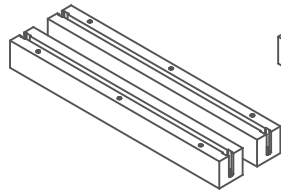
Congratulations !!

You have just purchased the finest recycled plastic  
Receptacles available. Enjoy !!!

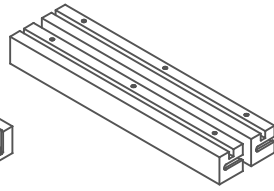
Before assembly, please make sure all components are included.



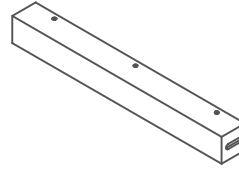
(1) - One Fastener Pack  
FP-2T32-CU-01



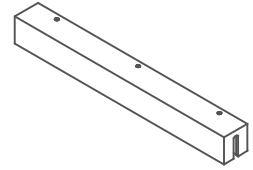
(2) - RP-T32-A-01



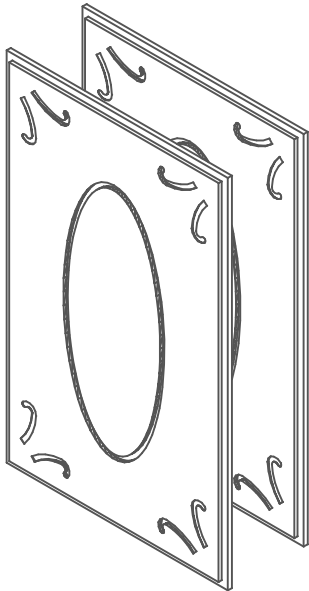
(2) - RP-T32-B-01



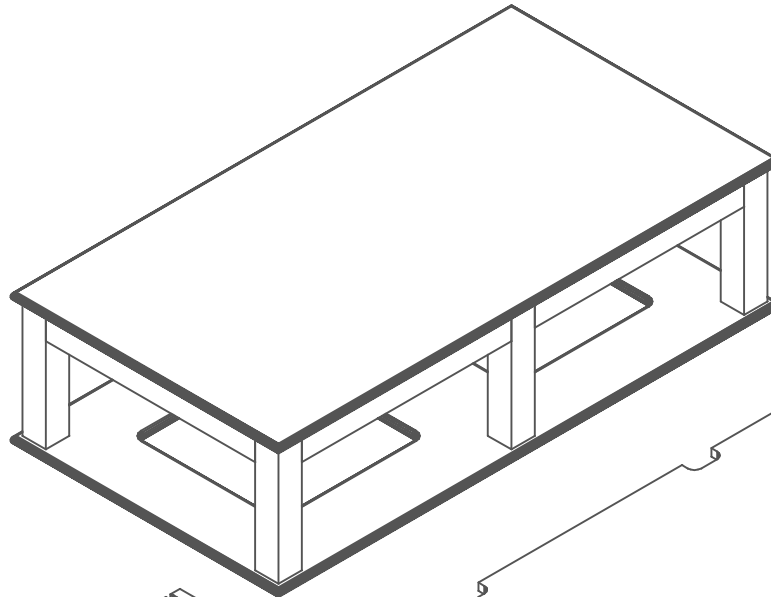
(1) - RP-T32-E-01



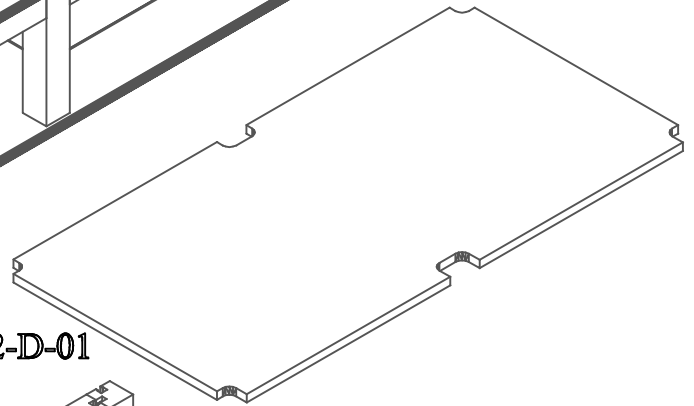
(1) - RP-T32-F-01



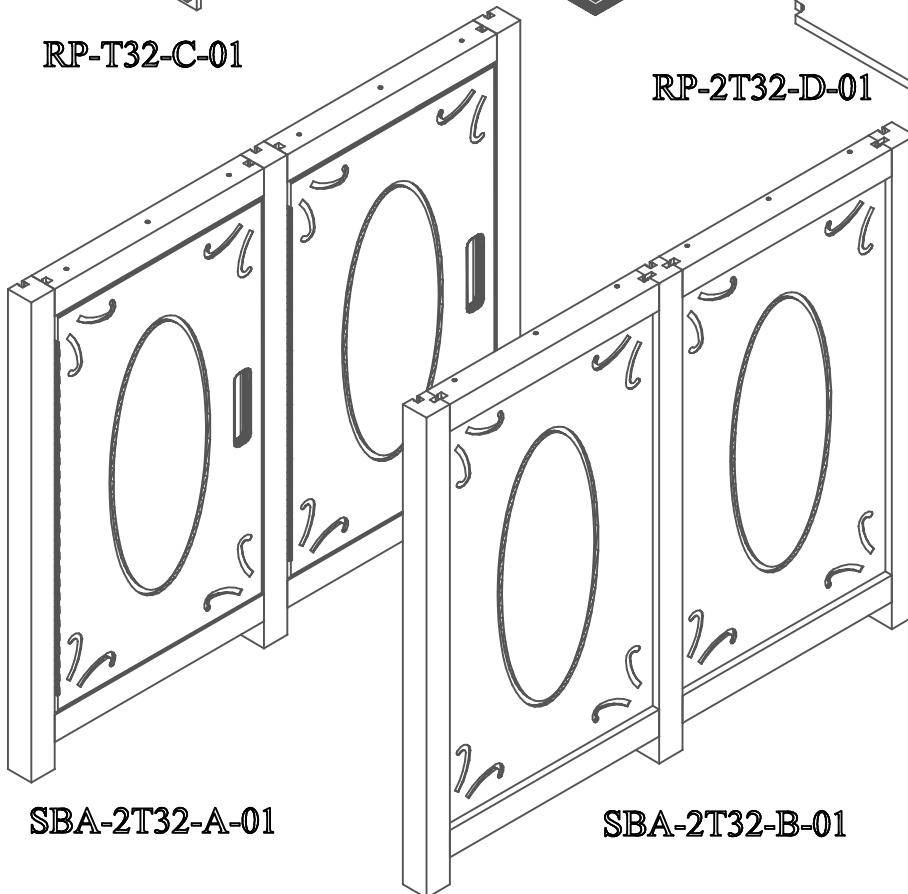
RP-T32-C-01



SBA-2T32-C-01

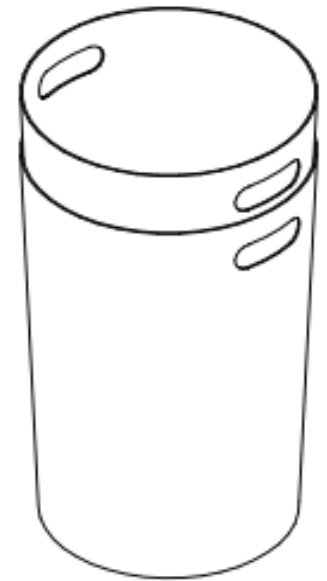


RP-2T32-D-01



SBA-2T32-A-01

SBA-2T32-B-01

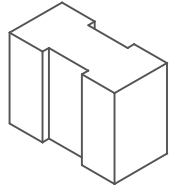


(2) - Two Trash can Liner  
S7852-00-159

FS-2T32-CAP-01

Before assembly, please make sure all fasteners are included.

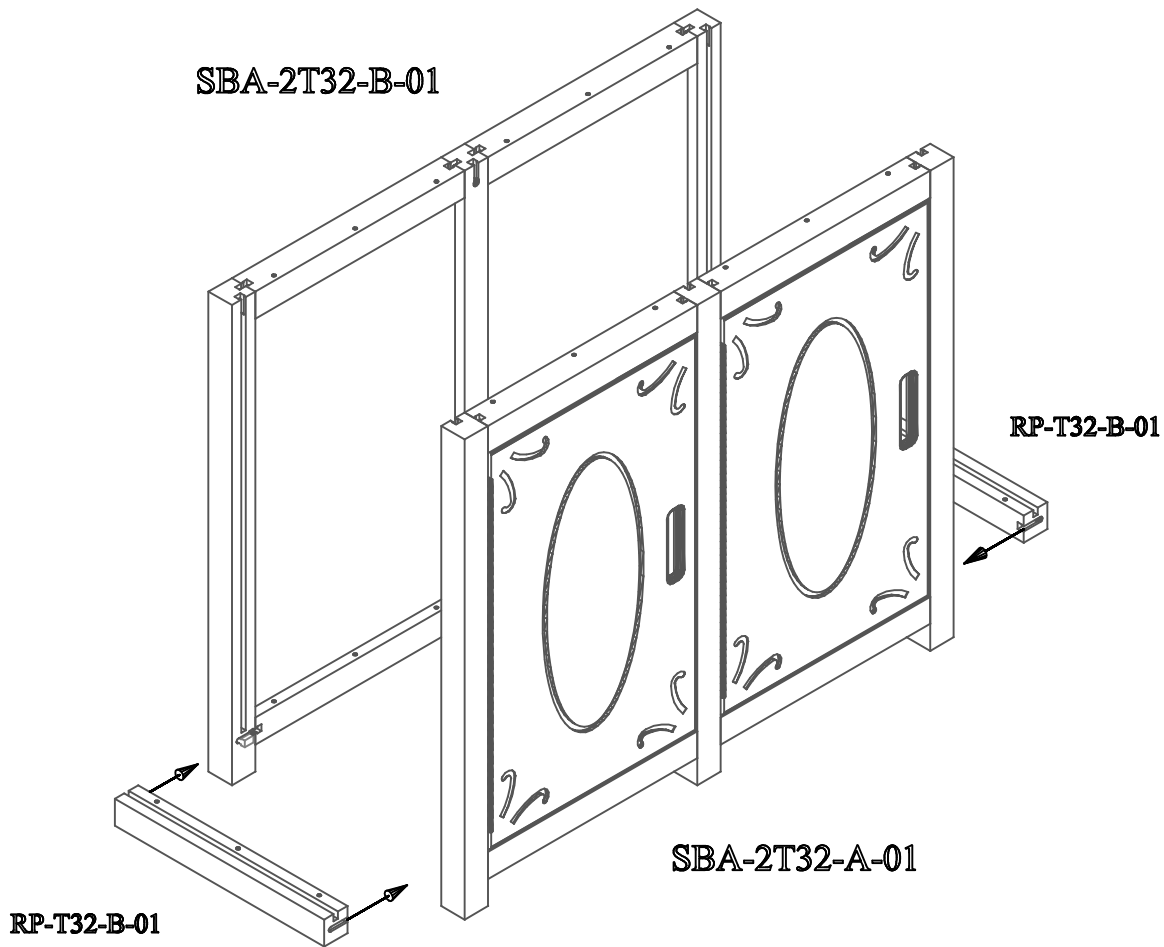
6 - Dog Bone Fastener



42 - #12 x 2 1/2" Pan Head Phillips Screw



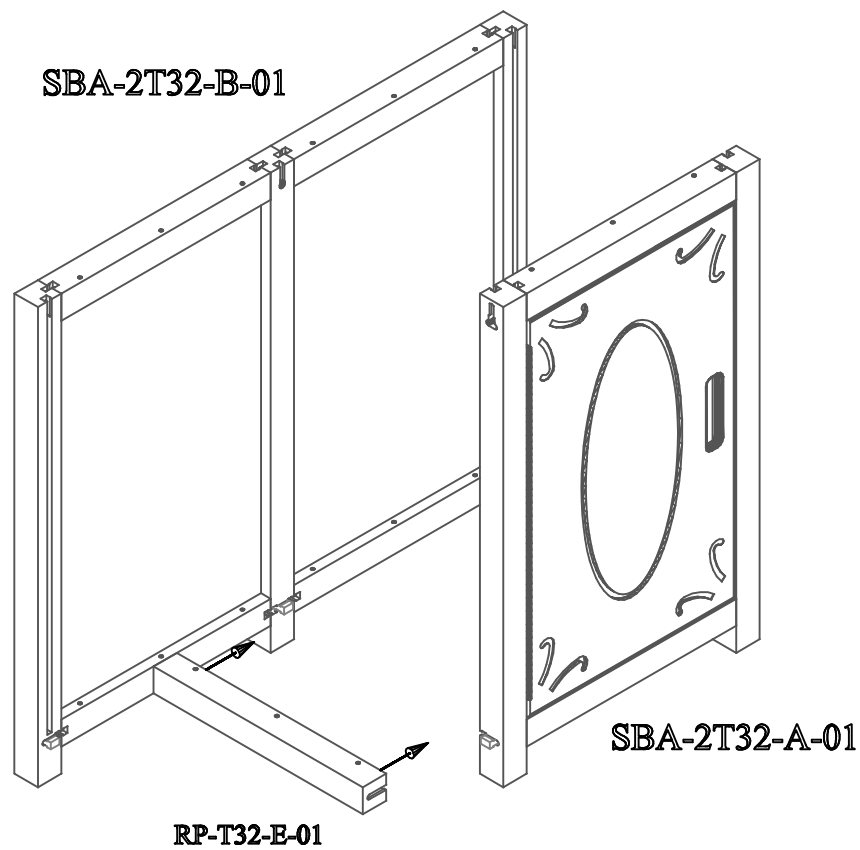
\*If the fastener is a little tight or you are having a hard time getting them to slide together, use a hammer and screw driver to lightly tap the fastener in to place



**Step #1:**

Take "*SBA-2T32-B-01*" and "*SBA-2T32-A-01*" and stand them up with design on the panels facing away from each other. Take 1 "*RP-T32-B-01*" and slide it on to the fastener of "*SBA-2T32-B-01*", and then on to "*SBA-2T32-A-01*". Repeat on the other side with the second "*RP-T32-B-01*".

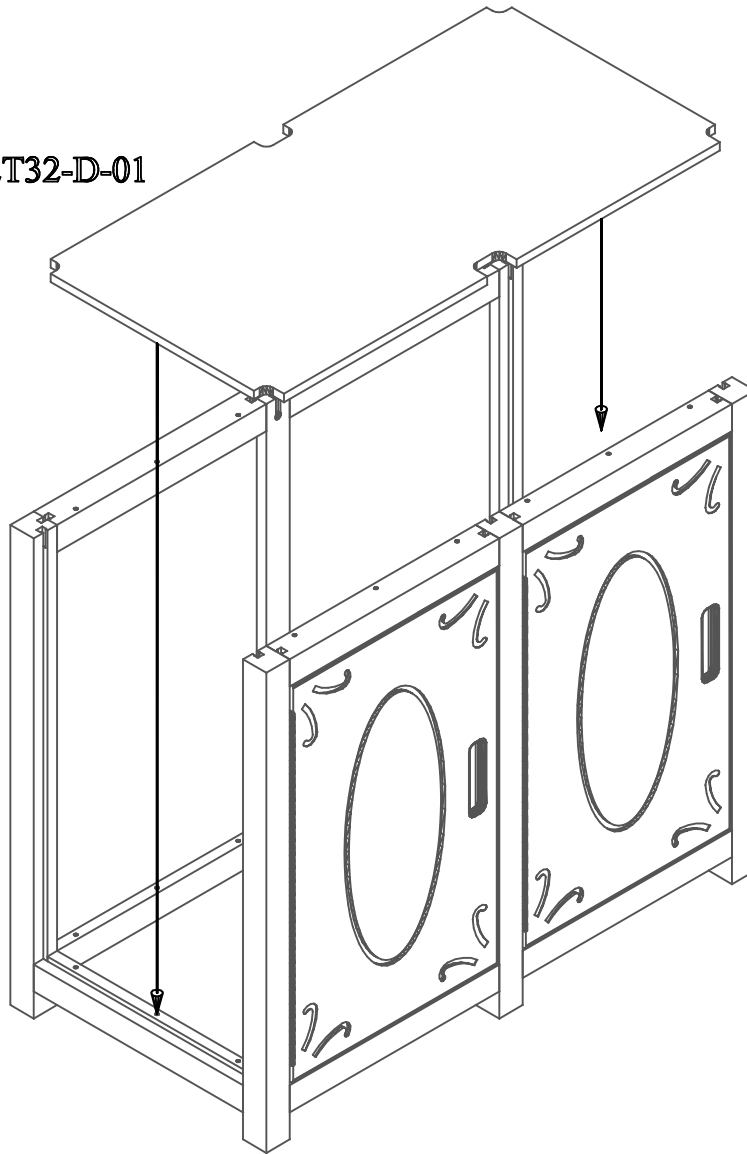
\*View has been altered for your convenience



**Step #2:**

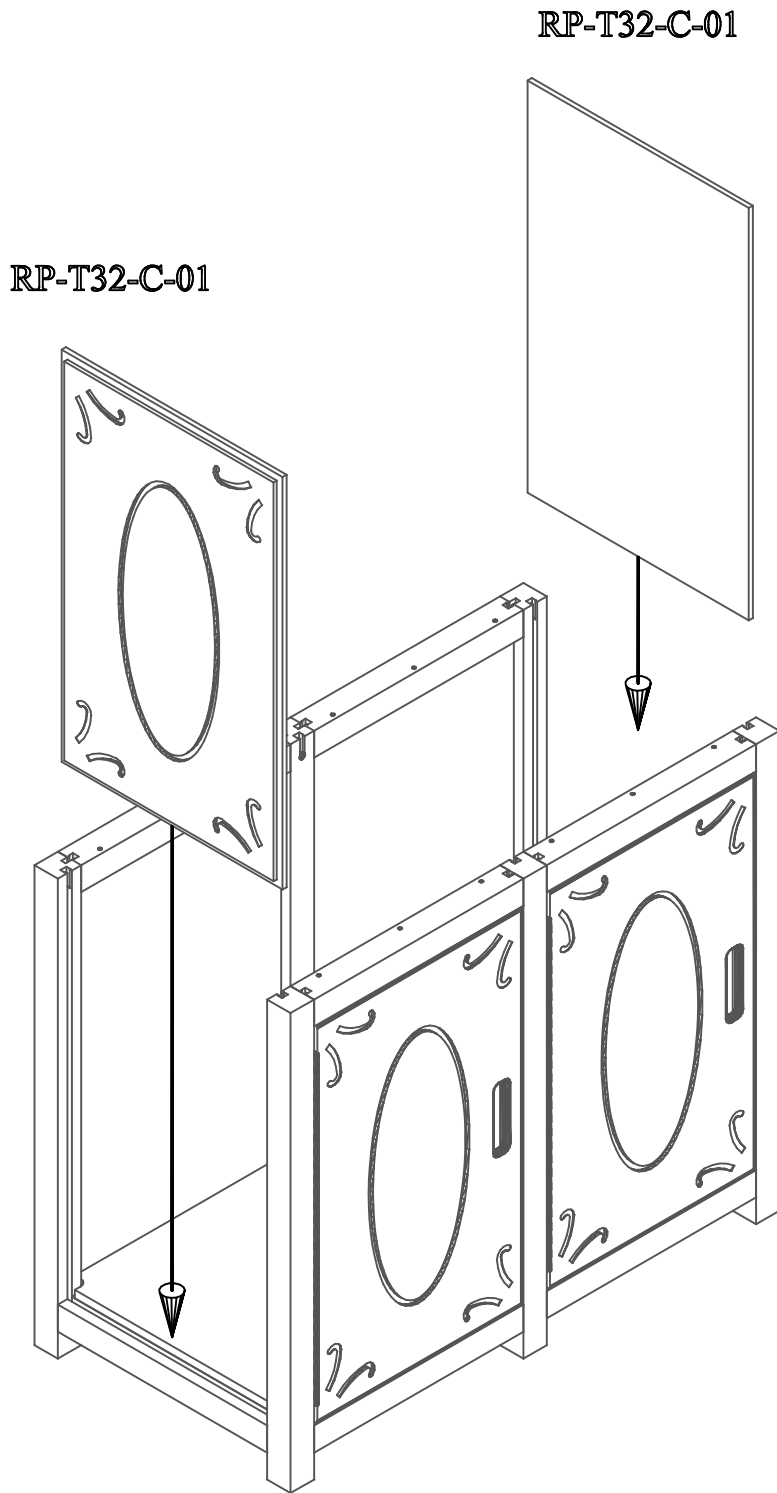
Take "*RP-T32-E-01*" and slide it on to the middle two fasteners of "*SBA-2T32-B-01*" and "*SBA-2T32-A-01*" at the bottom of the trash receptacle. Make sure the holes on "*RP-T32-E-01*" are toward the right side of the receptacle (see above).

RP-2T32-D-01



**Step #3:**

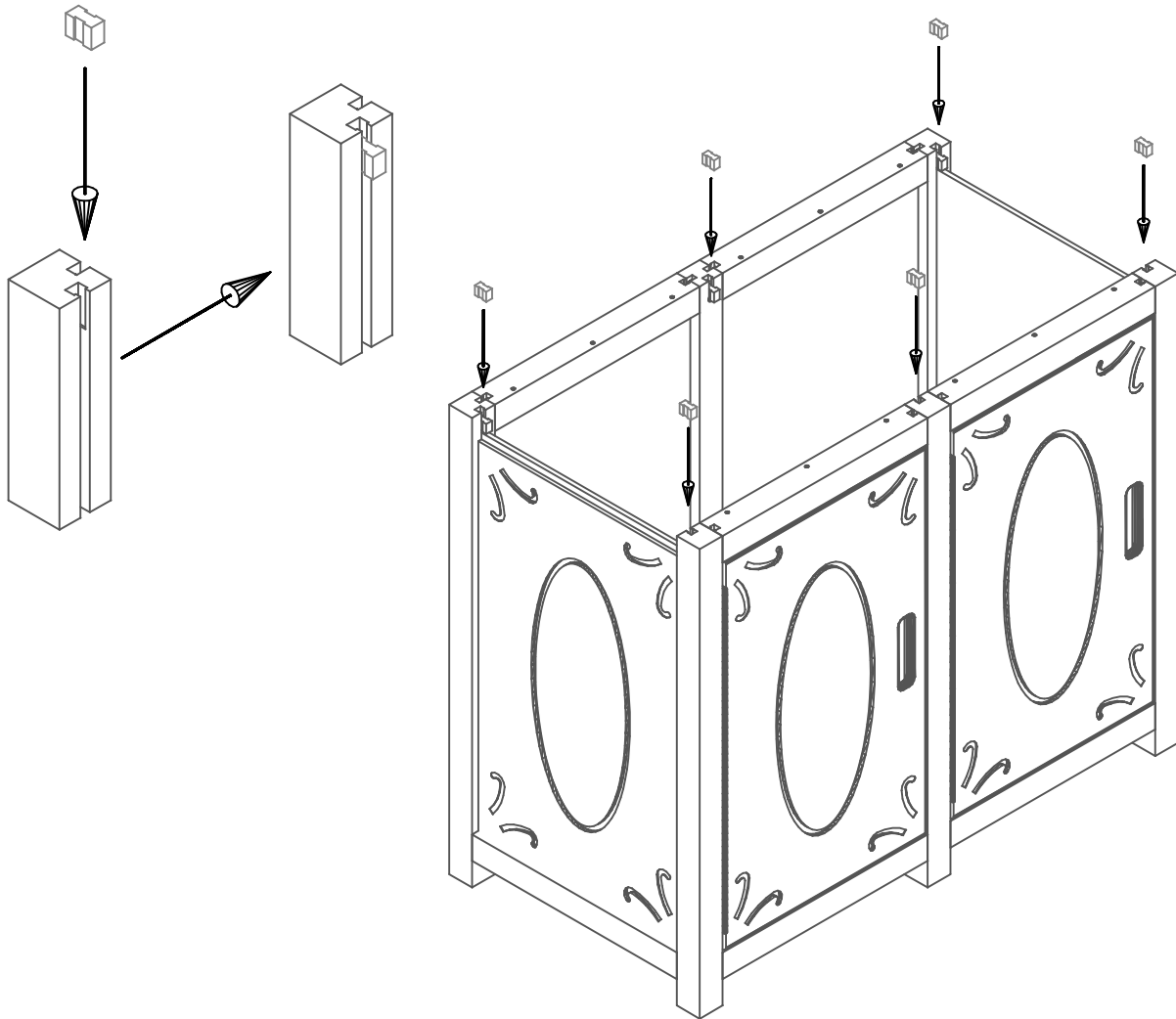
Take part "*RP-2T32-D-01*" and place on the inside of trash receptacle. It will be fastened in a later process. Making sure the pre-drilled holes offset to the right side, so that they will line up with "*RP-T32-E-01*".



**Step #4:**

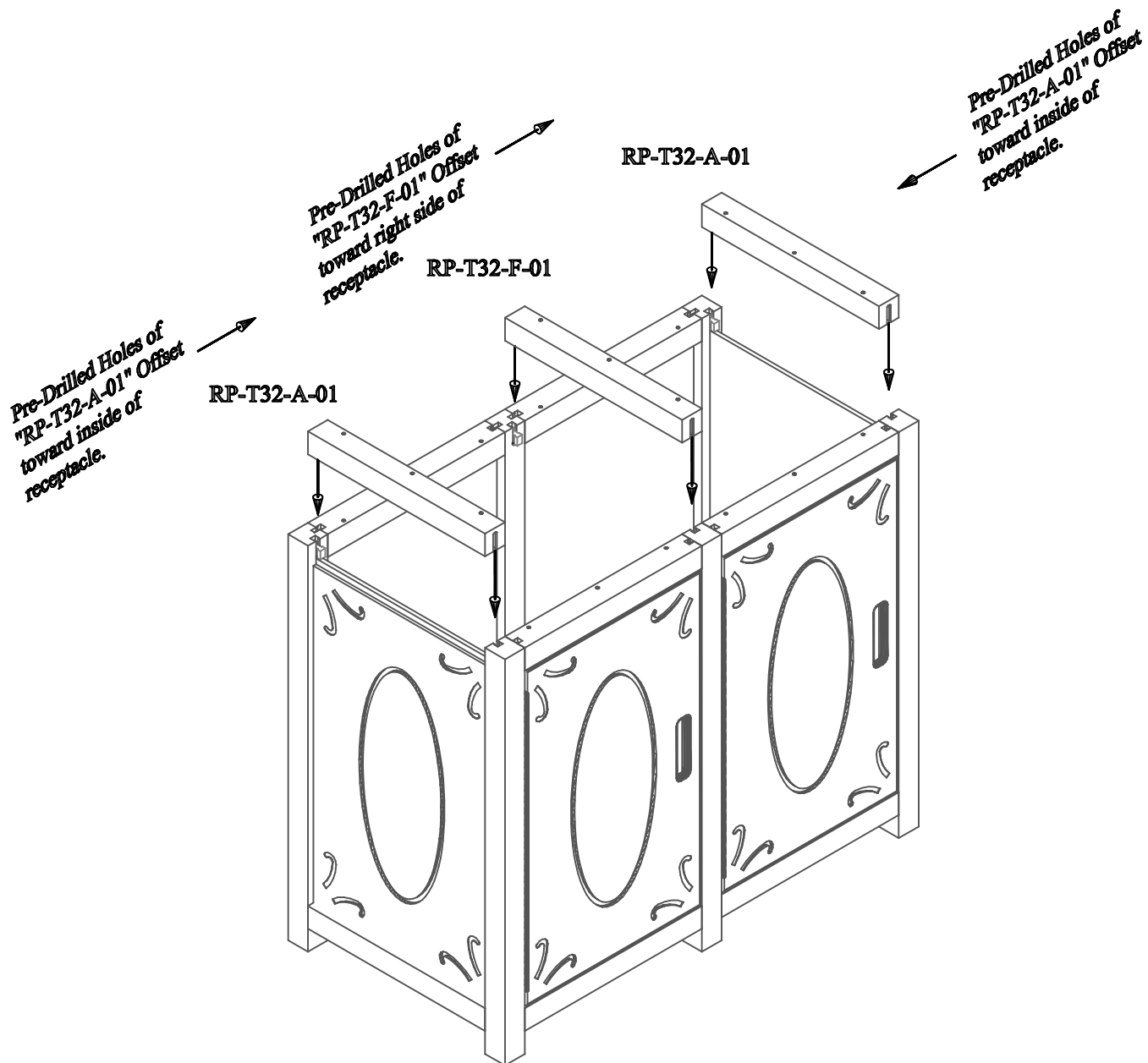
Take "*RP-T32-C-01*" Panel, and slide them in to the groves of the trash receptacle with the design on the panel facing outward, away from each other.

\*If the fastener is a little tight or you are having a hard time getting them to slide together, use a hammer to lightly tap the fastener in to place



Step #5:  
Place "Dog Bone" fastener in to the 6 slots as shown



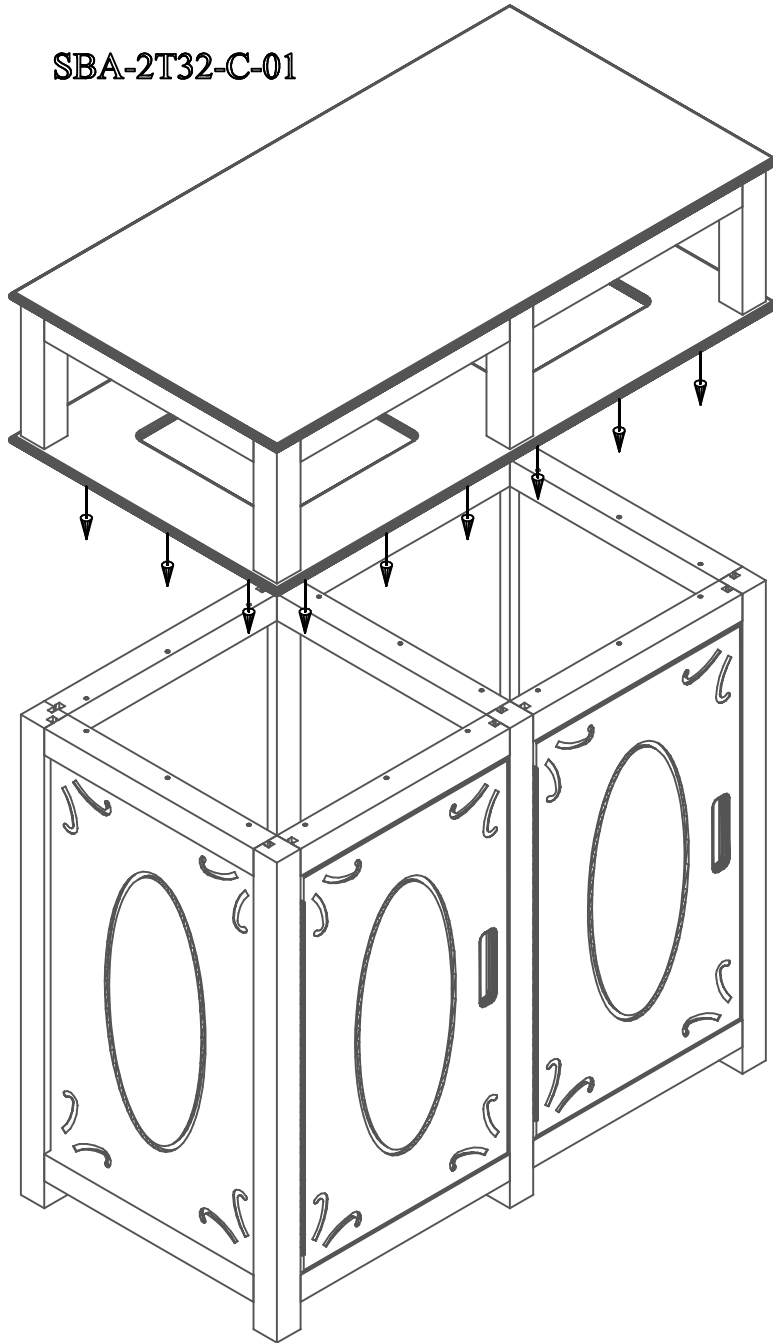


### Step #6:

Take 1 "RP-T32-A-01" and attach to the "Dog Bone" fasteners on each side of the receptacle, making sure that the pre-drilled holes offset is toward the inside of the receptacle, while the groove of the board slides over the panel. Repeat to the other side.

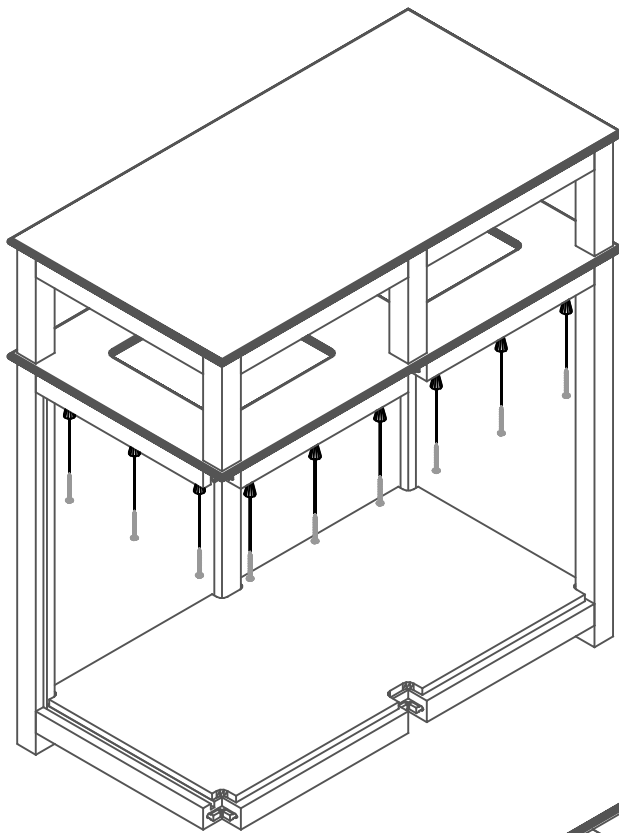
Then take 1 "RP-T32-F-01" attach to the fasteners in the middle top of the trash receptacle (see above). Make sure the holes of "RP-T32-F-01" offset is towards the right side of the receptacle.

SBA-2T32-C-01



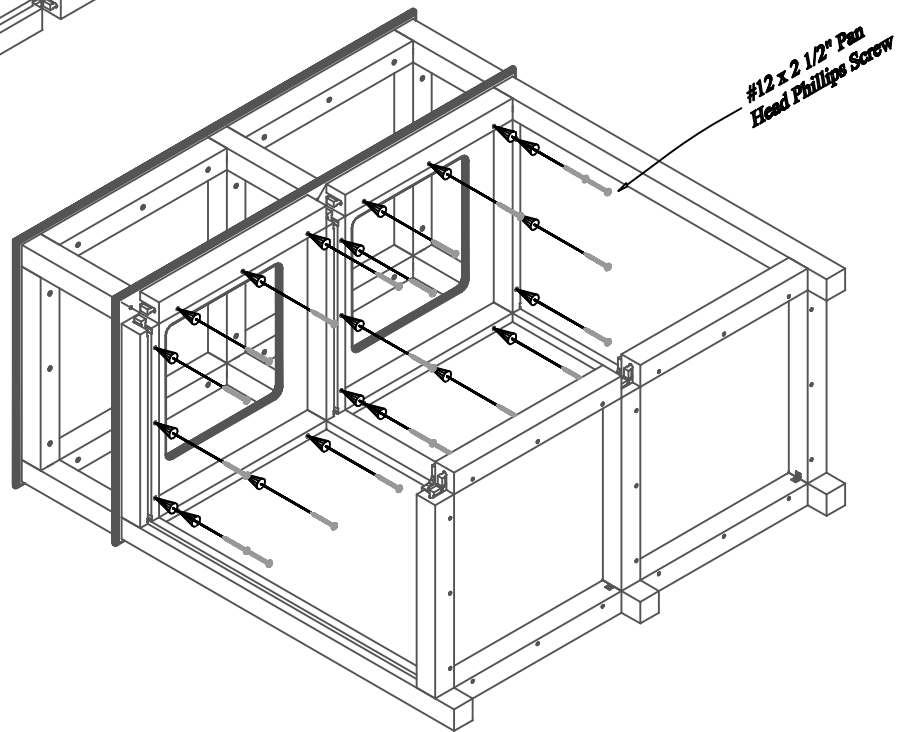
**Step #7:**

Take "*SBA-2T32-C-01*" and set it down on top and center it to the best you can. ( If you have panels in your top sub assembly, be sure to align the corresponding panel with the door. )



\*View has been rotated, and altered for your convenience. DO NOT ROTATE RECEPTACLE ON IT'S SIDE UNTIL TOP IS ATTACHED.

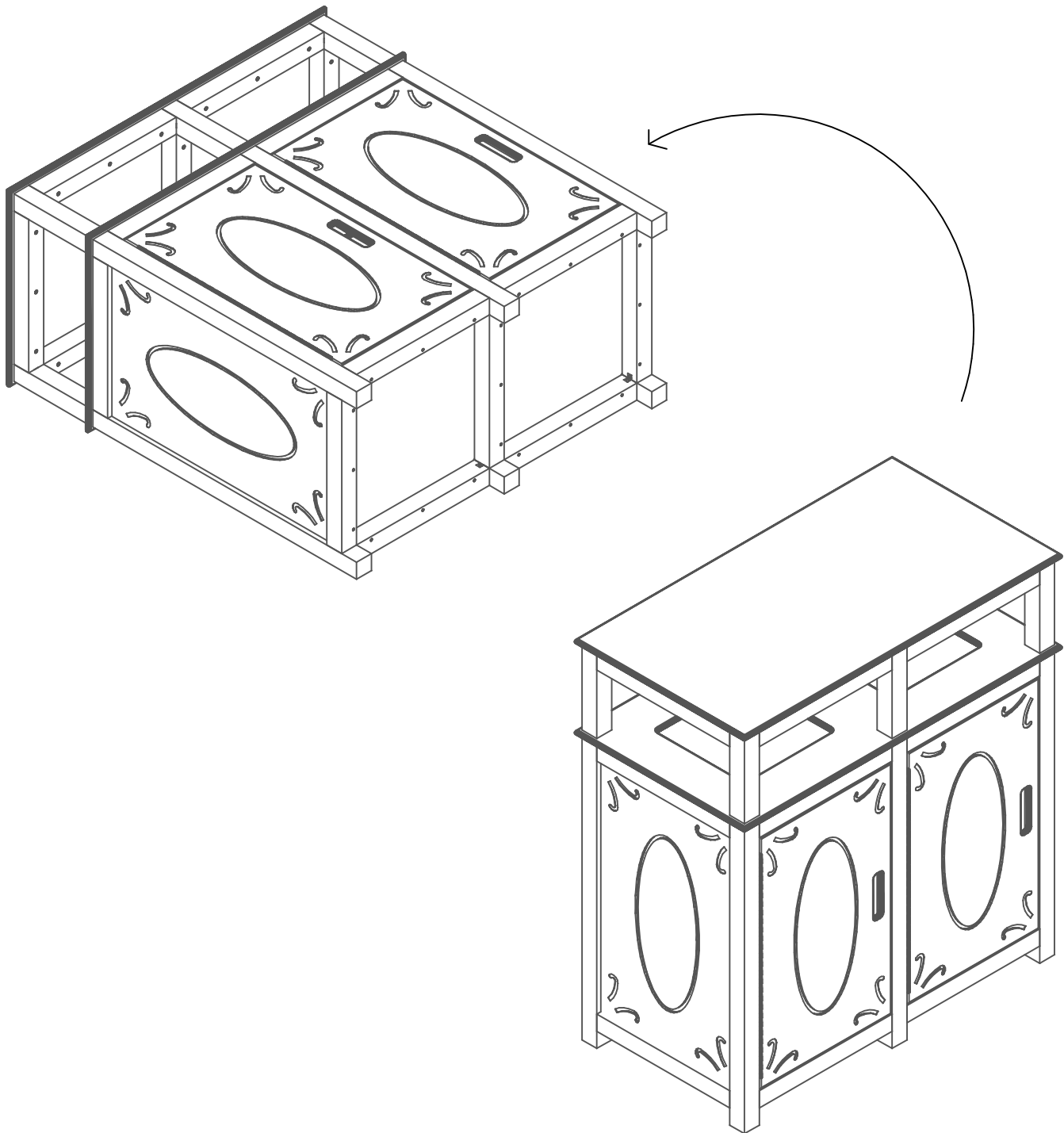
\*View has been altered for your convenience



### Step #8:

With the top sub assembly carefully lined up (pre-drilled pilot holes lined up with the drilled holes in the 2" x 2" boards), put 21 #12 x 2 1/2" Pan Head Phillips Screws in each hole. If having trouble lining up the holes, lift slightly up on the sub assembly while putting the screw through the pre-drilled holes to line it up.

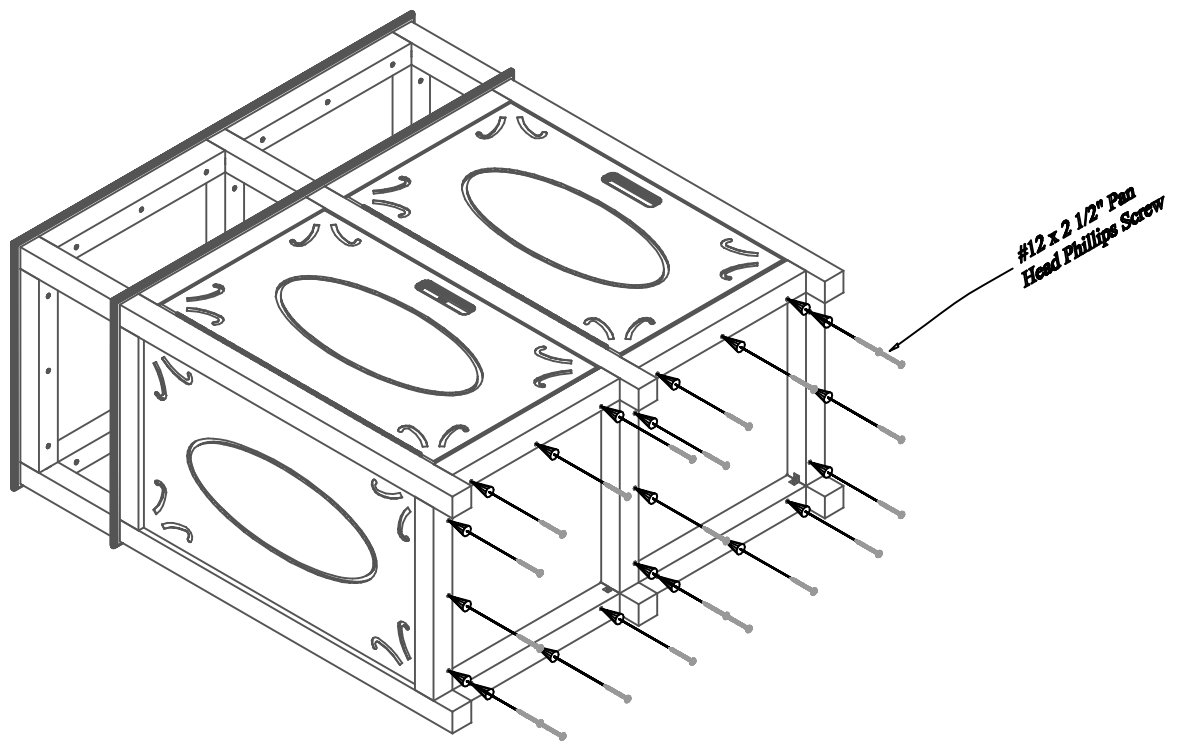
\*Careful not to over tighten, that will cause a striped hole.



**Step #9:**

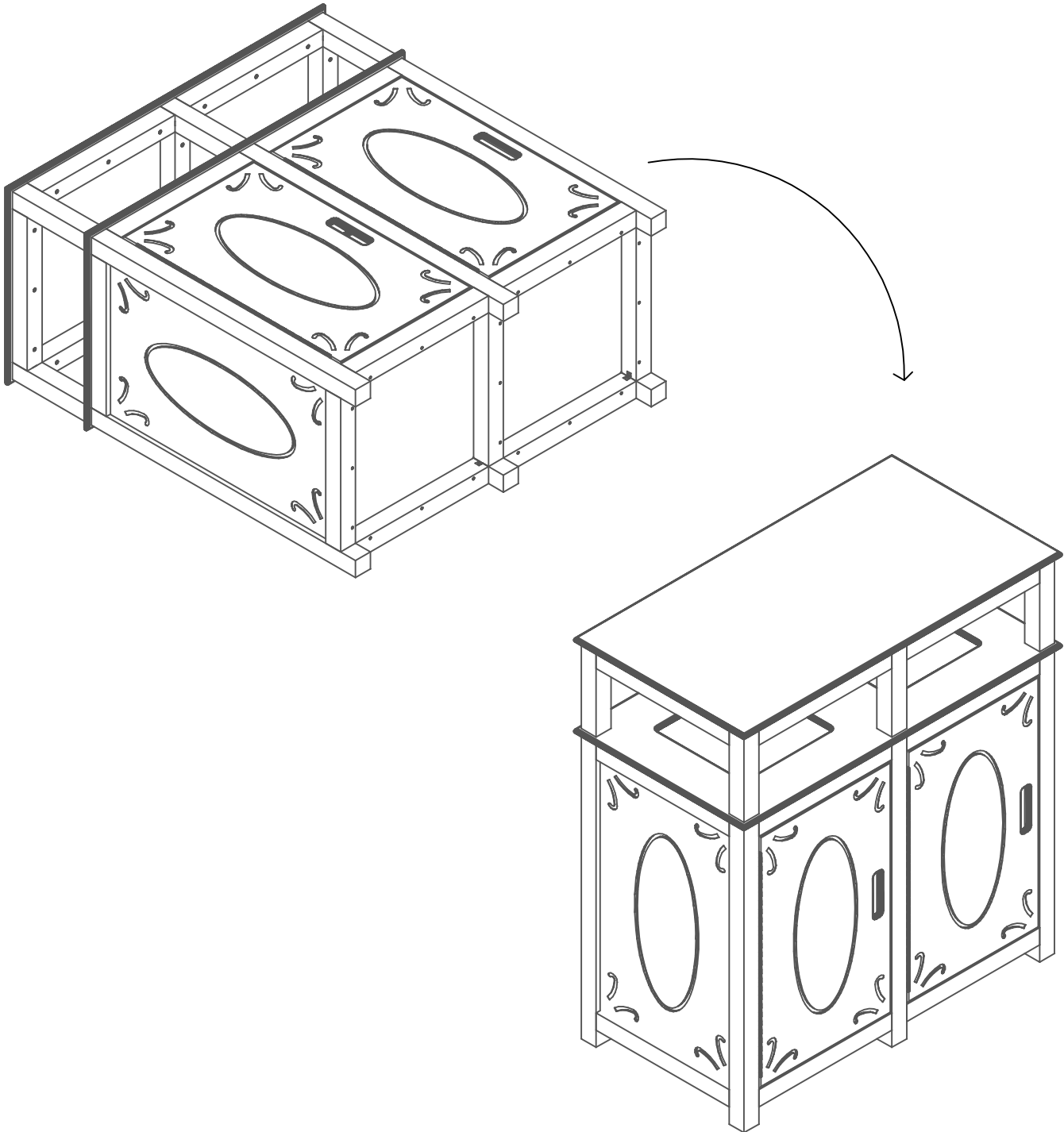
Rotate the trash receptacle on to its back gently.

\* Note trash receptacle is heavy, use two people for moving and rotating.



**Step #10:**

Align pre-drilled holes with "RP-T32-D-01" pilot holes, put *21 #12 x 2 1/2" Pan Head Phillips Screws* in each of the holes.



**Step #11:**

Rotate trash receptacle back to the standing position. Once in a standing position, insert the a trash liner into each side of the receptacle. Your receptacle is now complete.

\* Note trash receptacle is heavy, use two people for moving and rotating.

DEAR VALUED CUSTOMER,

THANK YOU FOR PURCHASING THIS PRODUCT. THIS PRODUCT IS MANUFACTURED USING RECYCLED MATERIALS AND MAY HAVE SLIGHT COLOR VARIATIONS, OCCASIONAL SPECKS OF COLOR OR IRREGULAR SURFACE PATTERNS. THESE ARE NORMAL CONDITIONS OF RECYCLED PLASTICS AND MAKE EACH PIECE OF FURNITURE UNIQUE. THESE CHARACTERISTICS DO NOT AFFECT THE STRENGTH, QUALITY OR PERFORMANCE OF THE PRODUCT.

THANK YOU AGAIN FOR PURCHASING THIS PRODUCT AND HELPING OUR ENVIRONMENT.