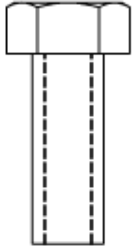
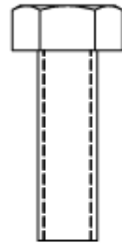


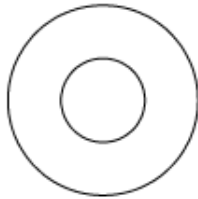
HARDWARE



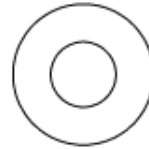
3/8" x 1"
Machine Bolt



5/16" x 1"
Machine Bolt



3/8" Washer

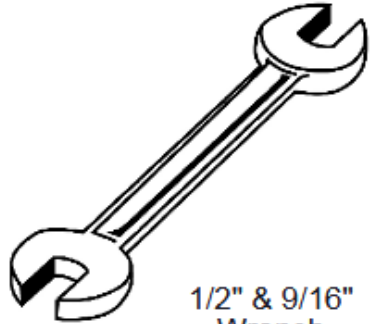


5/16" Washer



5/16" Kep Nut

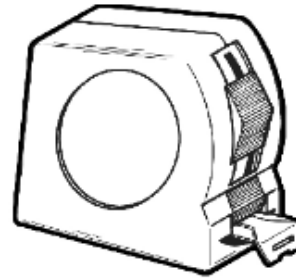
TOOLS REQUIRED



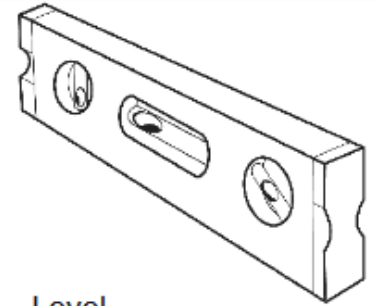
1/2" & 9/16"
Wrench



1/2" & 9/16"
Socket Wrench



Tape Measure



Level

BARK PARK PRODUCT SPECIFICATIONS

BARK-410 DOG WALK

Planking: 12 gauge sheet steel. 7 gauge x 1-1/2" flat bar understructure. Electrically MIG welded. 1" x 2" rectangular steel tubing is bolted to top surface to create steps.

Coating: Oven fused functionalized polyethylene copolymer-based thermoplastic. Fluidized bed coating application with superior mechanical performance, impact resistance and UV-stability. Steel walking planks feature BarkPark's proprietary CanineCoat™, a thermoplastic coating that has been specially developed to provide superior slip-resistant traction for dog's paws.

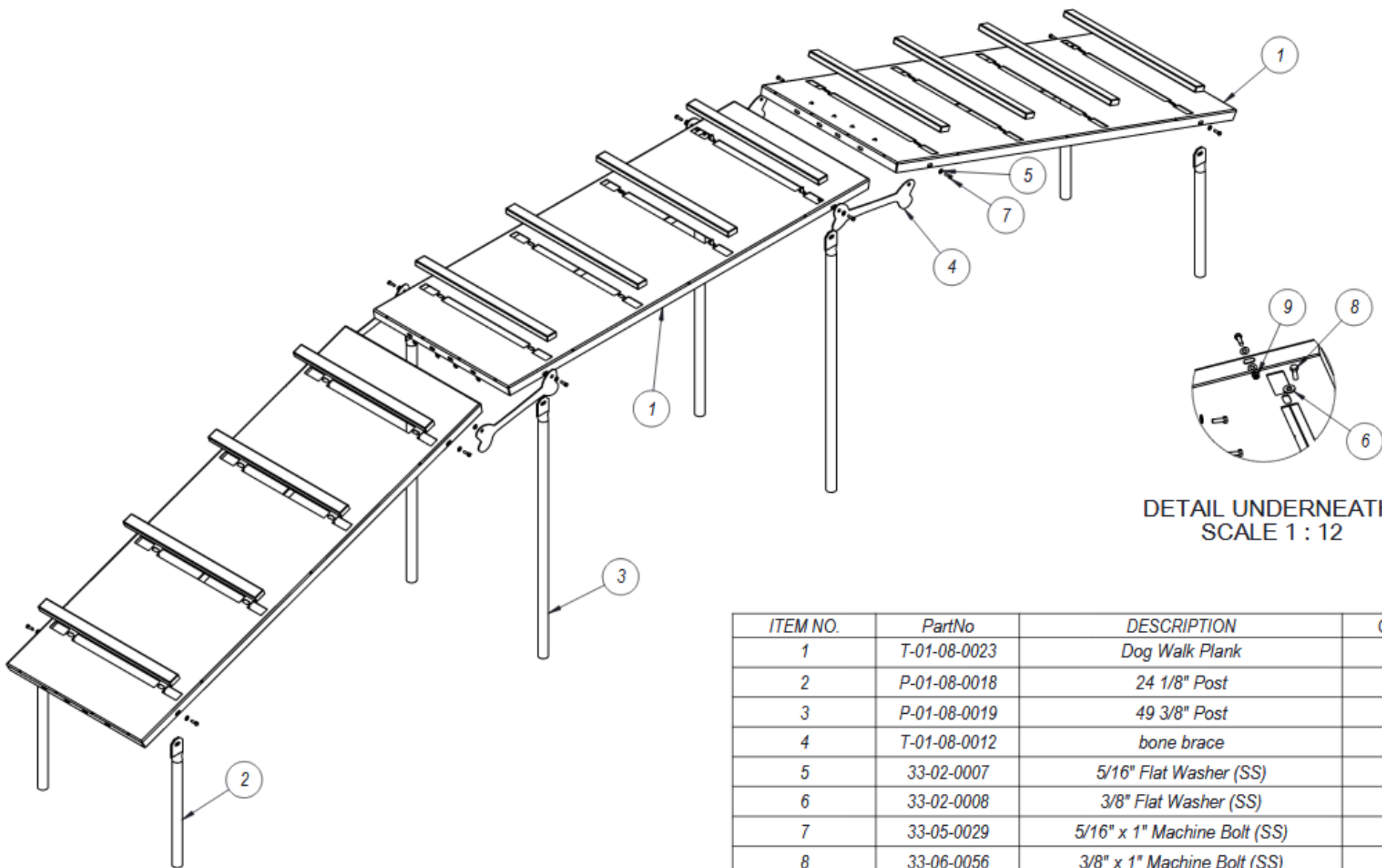
Frame: 1-5/8" O.D. x 14 gauge pre-galvanized structural steel tubing.

Frame Coating: Electrostatic powder coated application oven cured.

Hardware: All stainless steel hardware fasteners.

Dimensions: Outside to outside dimensions are 230 1/4" long x 30" wide x 32" tall.

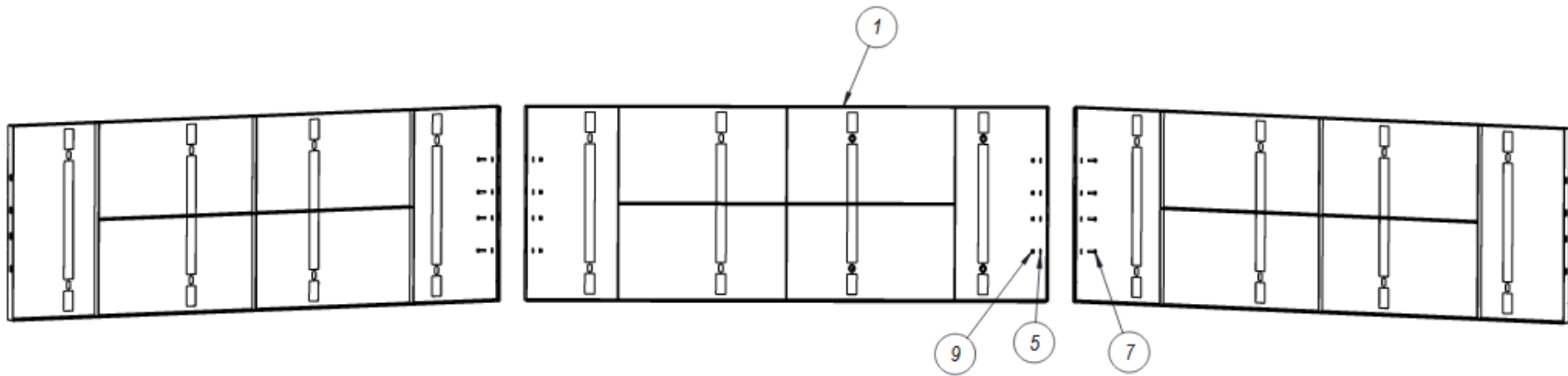
COMPONENTS



DETAIL UNDERNEATH
SCALE 1 : 12

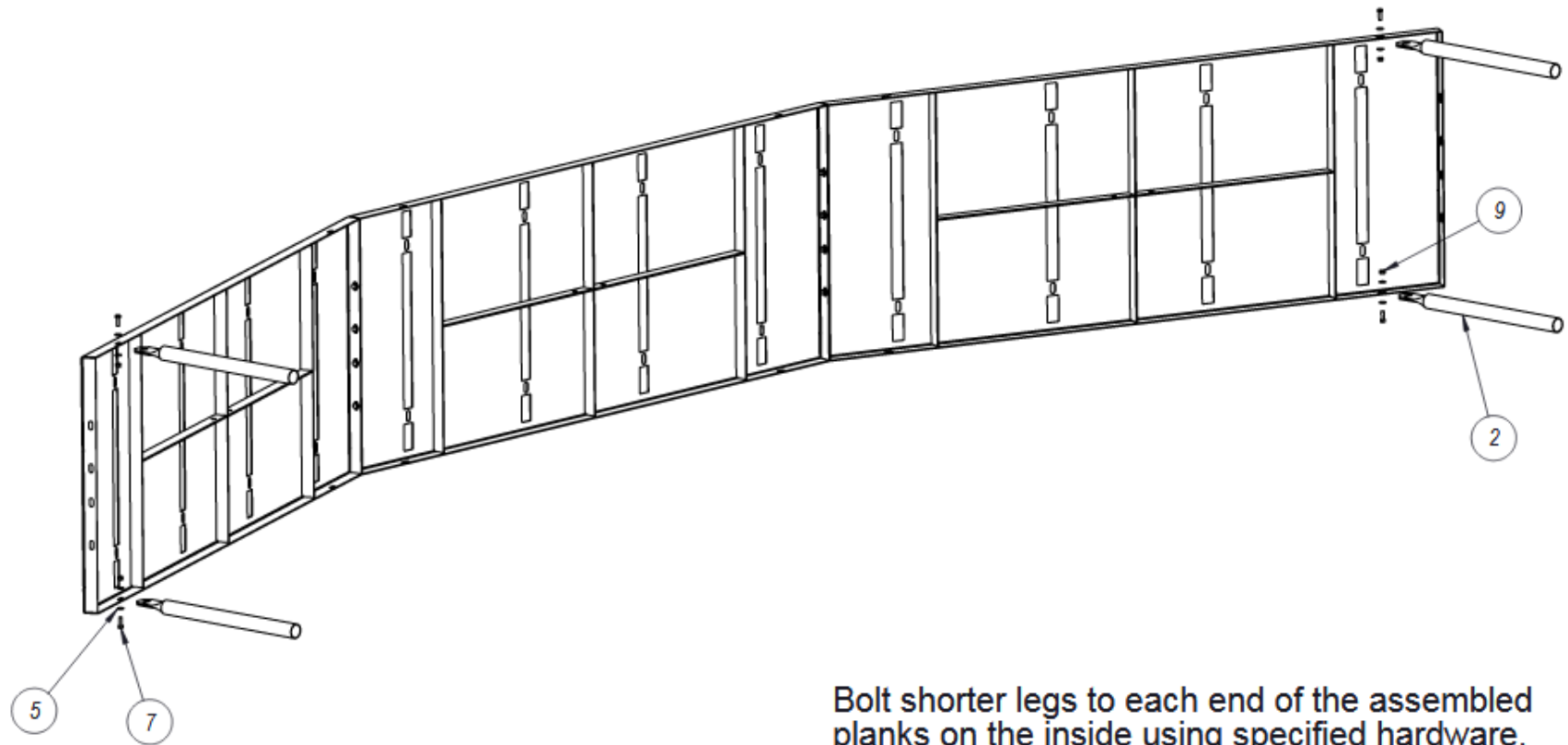
ITEM NO.	PartNo	DESCRIPTION	QTY
1	T-01-08-0023	Dog Walk Plank	3
2	P-01-08-0018	24 1/8" Post	4
3	P-01-08-0019	49 3/8" Post	4
4	T-01-08-0012	bone brace	4
5	33-02-0007	5/16" Flat Washer (SS)	40
6	33-02-0008	3/8" Flat Washer (SS)	24
7	33-05-0029	5/16" x 1" Machine Bolt (SS)	20
8	33-06-0056	3/8" x 1" Machine Bolt (SS)	24
9	33-03-0012	5/16" Kee Nut (SS)	20
10	T-01-08-0022	bark park step strip	12

STEP 1



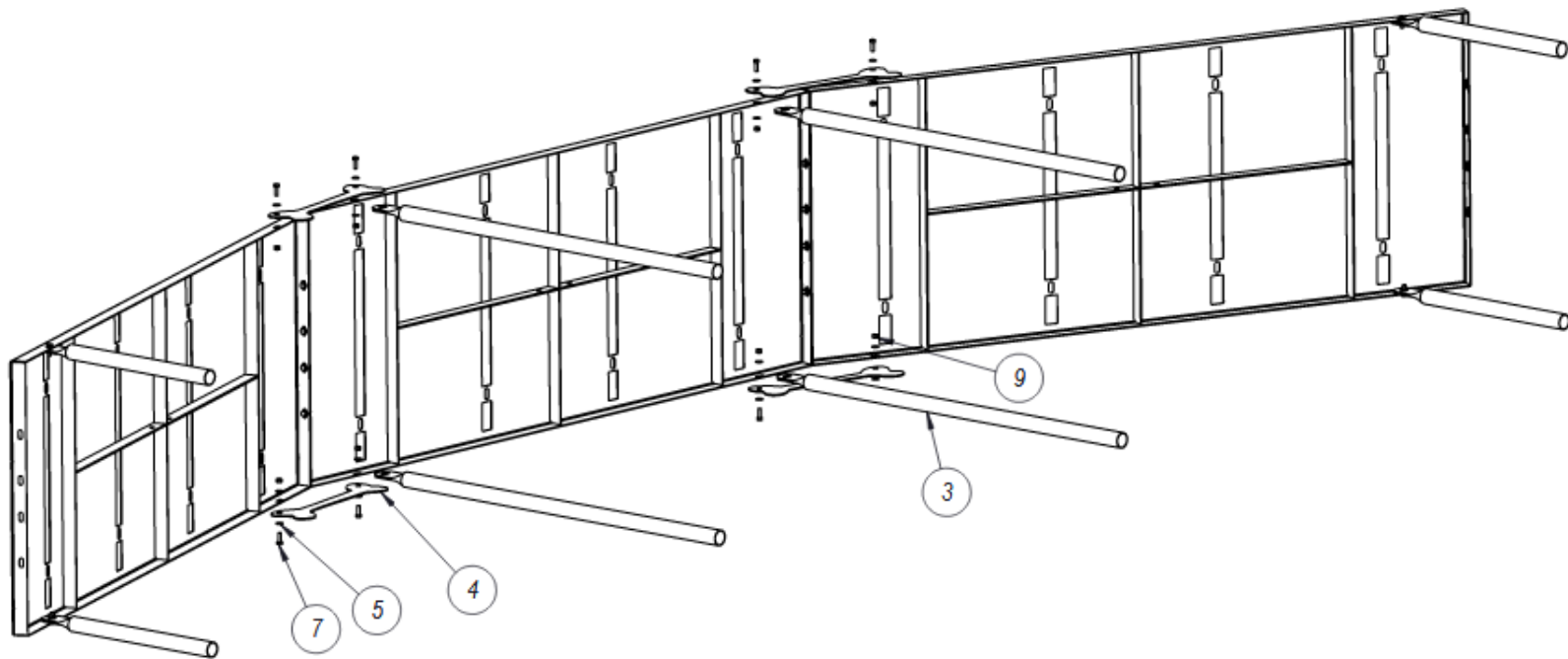
Bolt Dog Walk Planks
together using specified
hardware. (This is best
done laying on its side.)

STEP 2



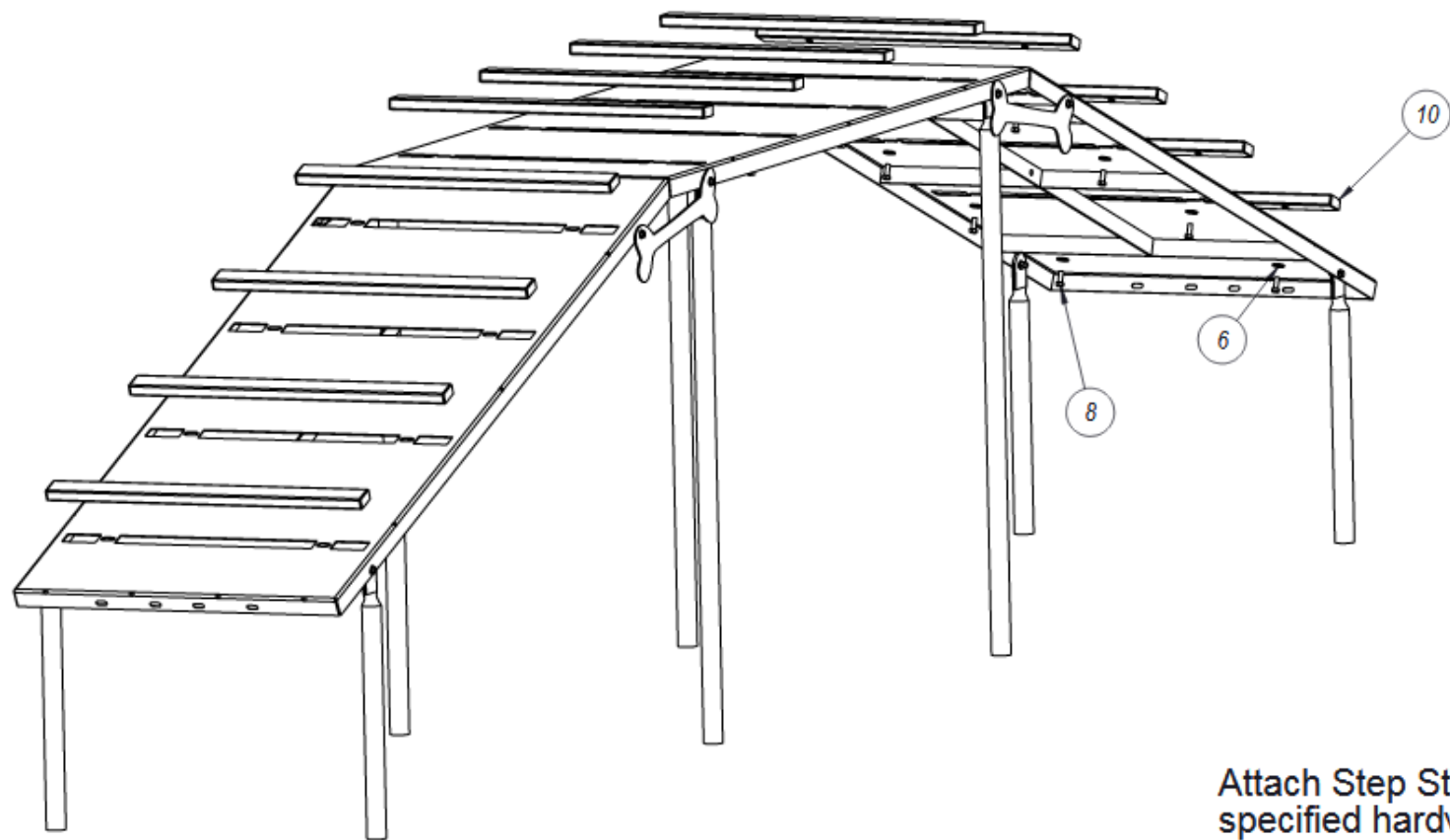
Bolt shorter legs to each end of the assembled planks on the inside using specified hardware. (This is also done best on its side.)

STEP 3



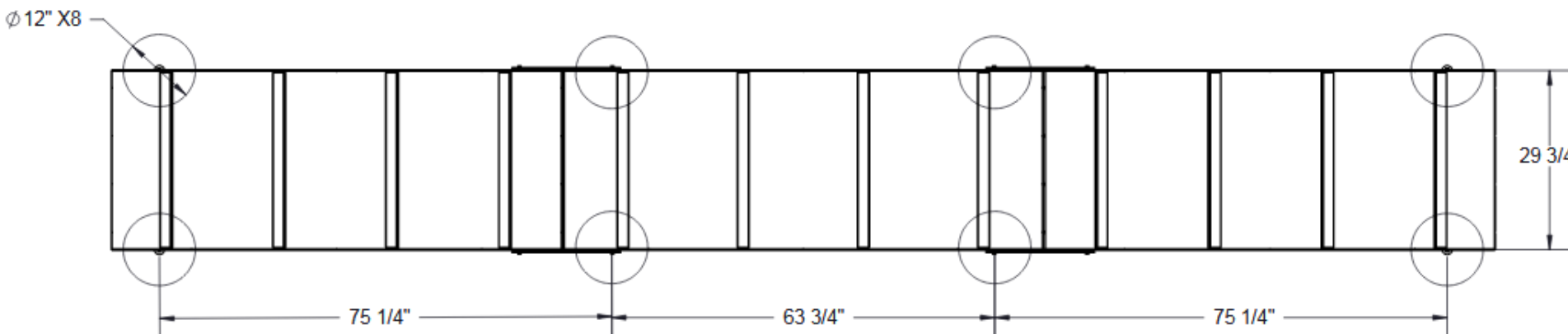
Attach longer legs to the middle of the assembled planks on the inside and the Bone Brace on the outside using specified hardware. (This works best if you assembly the legs and bone brace on one side laying down and then stand it up to do the other side.)

STEP 4

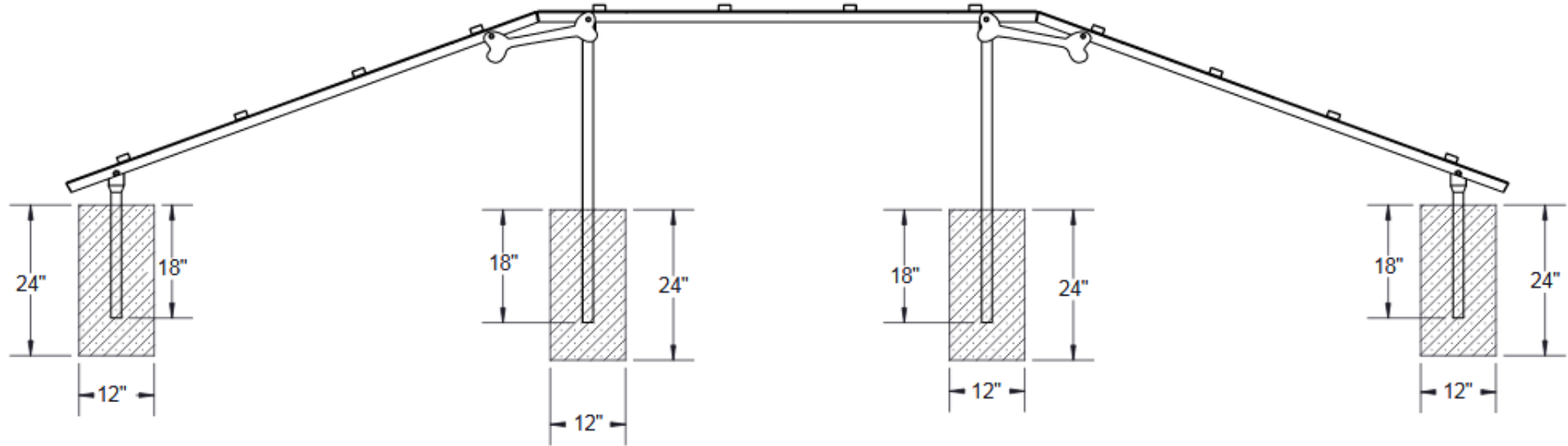


Attach Step Strips using specified hardware.

FOOTINGS



Estimated Required Concrete:
34 - 50 lb. bags of concrete mix



OVERALL DIMENSIONS

