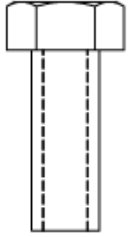
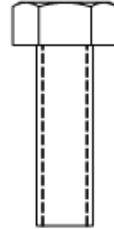


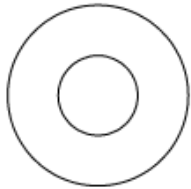
HARDWARE



3/8" x 1"
Machine Bolt



5/16" x 1"
Machine Bolt



3/8" Washer

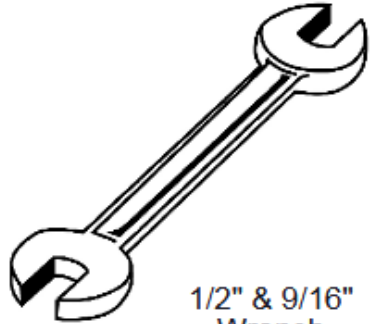


5/16" Washer



5/16" Kep Nut

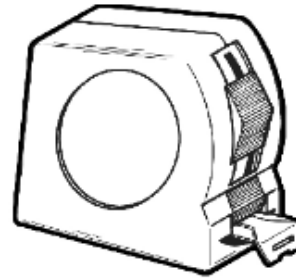
TOOLS REQUIRED



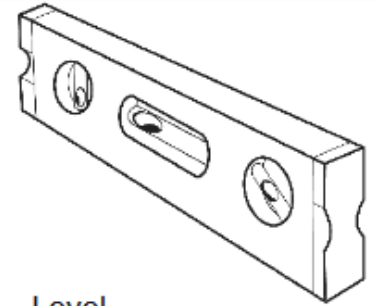
1/2" & 9/16"
Wrench



1/2" & 9/16"
Socket Wrench



Tape Measure



Level

BARK PARK PRODUCT SPECIFICATIONS

BARK 400 King of the Hill

Planking: 12 gauge sheet steel. 7 gauge x 1-1/2" flat bar understructure. Electrically MIG welded. 1" x 2" rectangular steel tubing is bolted to top surface to create steps.

Coating: Oven fused functionalized polyethylene copolymer-based thermoplastic. Fluidized bed coating application with superior mechanical performance, impact resistance and UV-stability. Steel walking planks feature BarkPark's proprietary CanineCoat™, a thermoplastic coating that has been specially developed to provide superior slip-resistant traction for dog's paws.

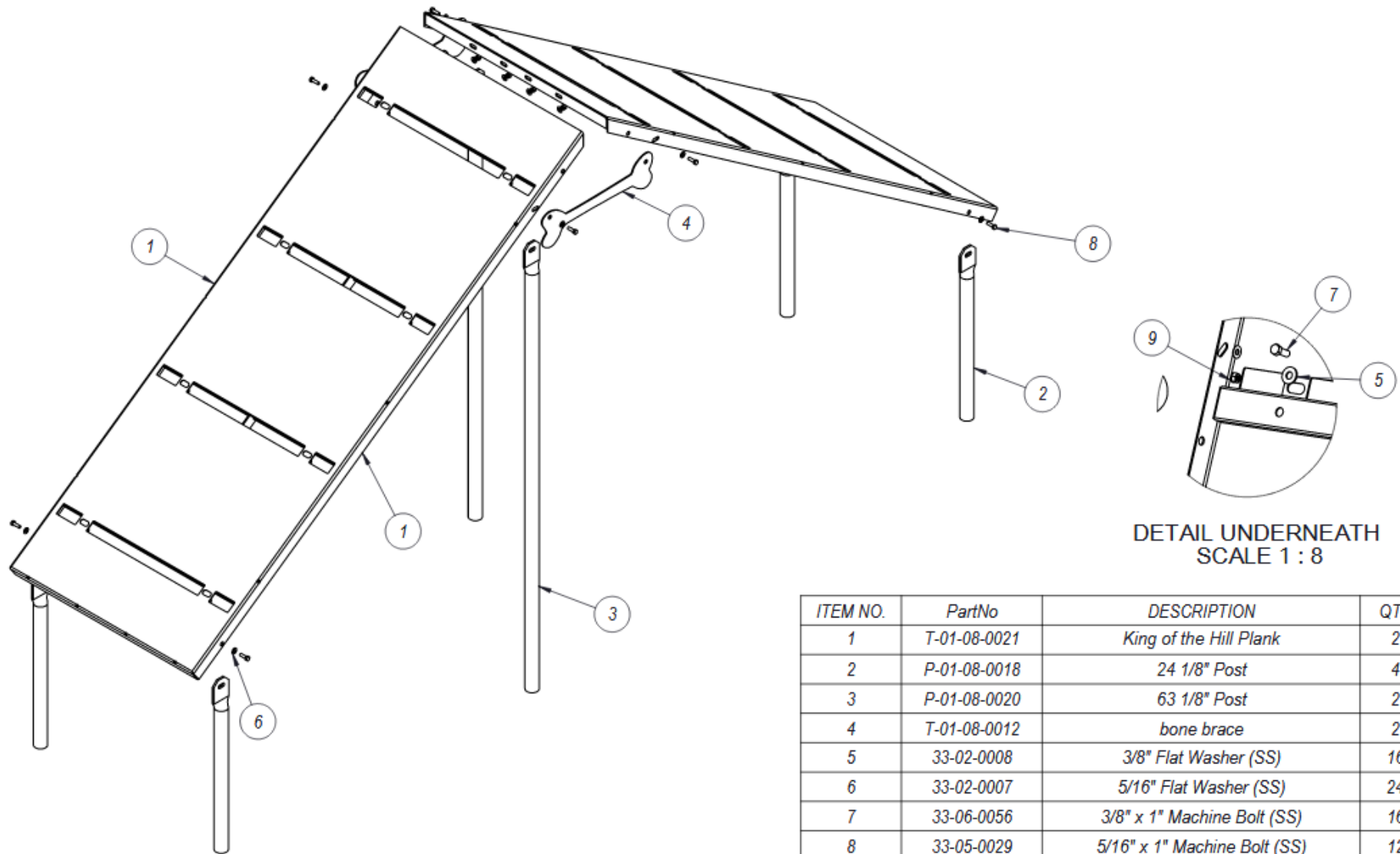
Frame: 1-5/8" O.D. x 14 gauge pre-galvanized structural steel tubing.

Frame Coating: Electrostatic powder coated application oven cured.

Hardware: All stainless steel hardware fasteners.

Dimensions: Outside to outside dimensions are 127 1/2" long x 30" wide x 48" tall.

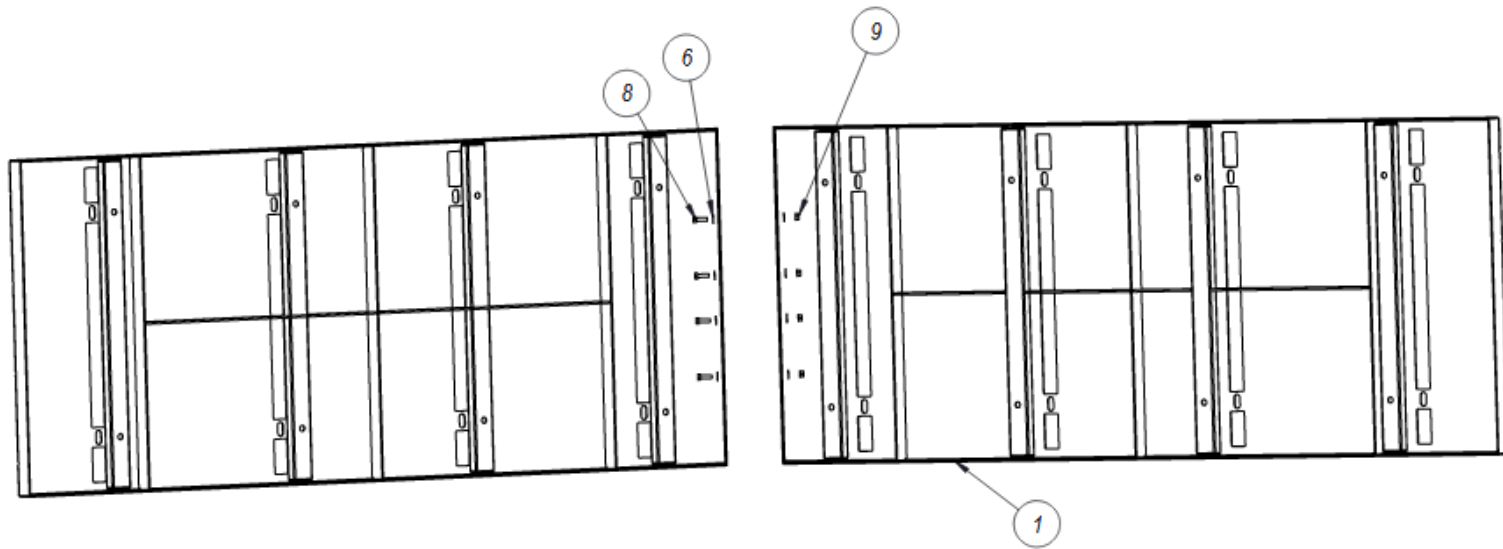
COMPONENTS



DETAIL UNDERNEATH
SCALE 1 : 8

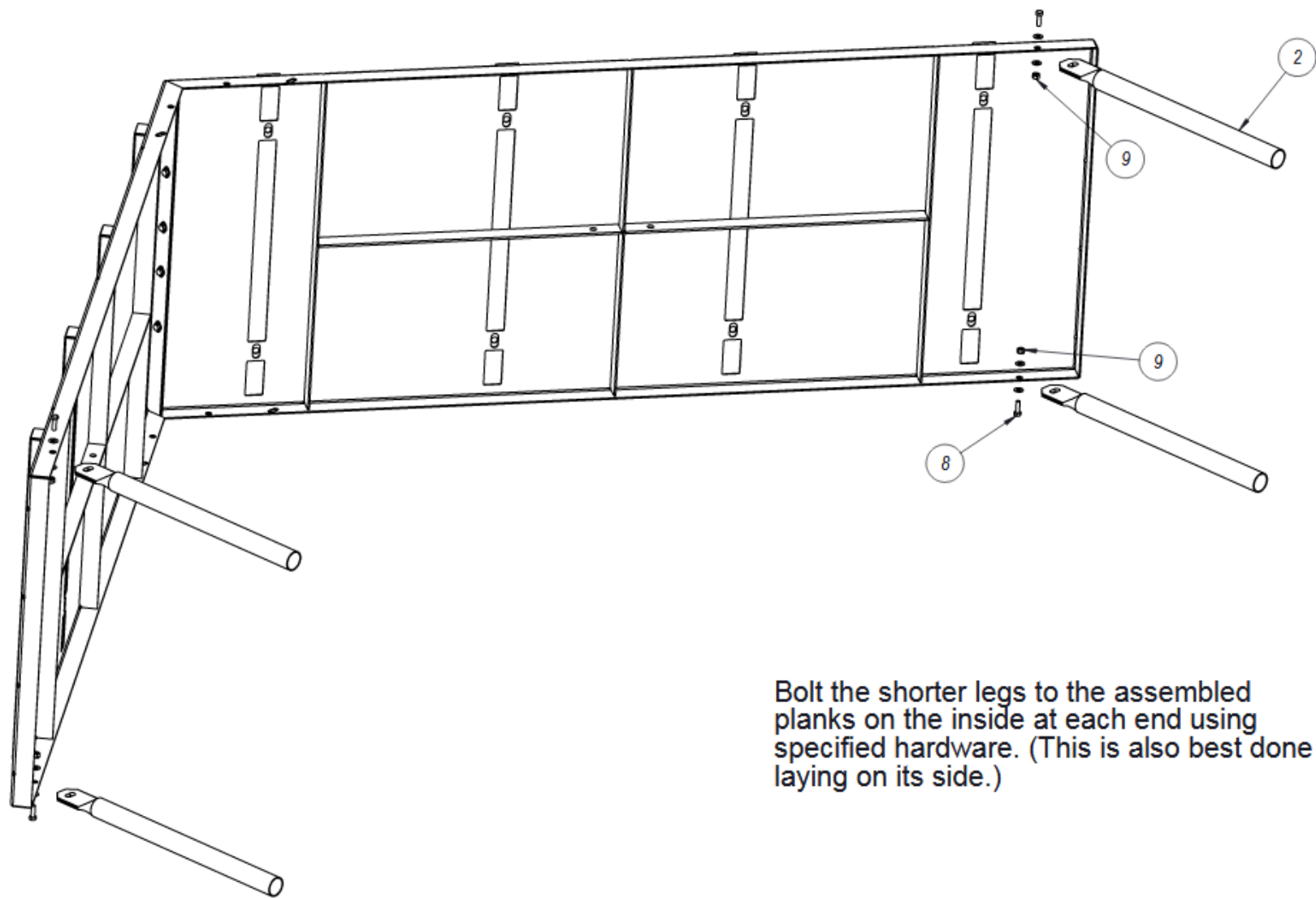
| ITEM NO. | PartNo | DESCRIPTION | QTY |
|----------|--------------|------------------------------|-----|
| 1 | T-01-08-0021 | King of the Hill Plank | 2 |
| 2 | P-01-08-0018 | 24 1/8" Post | 4 |
| 3 | P-01-08-0020 | 63 1/8" Post | 2 |
| 4 | T-01-08-0012 | bone brace | 2 |
| 5 | 33-02-0008 | 3/8" Flat Washer (SS) | 16 |
| 6 | 33-02-0007 | 5/16" Flat Washer (SS) | 24 |
| 7 | 33-06-0056 | 3/8" x 1" Machine Bolt (SS) | 16 |
| 8 | 33-05-0029 | 5/16" x 1" Machine Bolt (SS) | 12 |
| 9 | 33-03-0012 | 5/16" Kep Nut (SS) | 12 |
| 10 | T-01-08-0022 | bark park step strip | 8 |

STEP 1



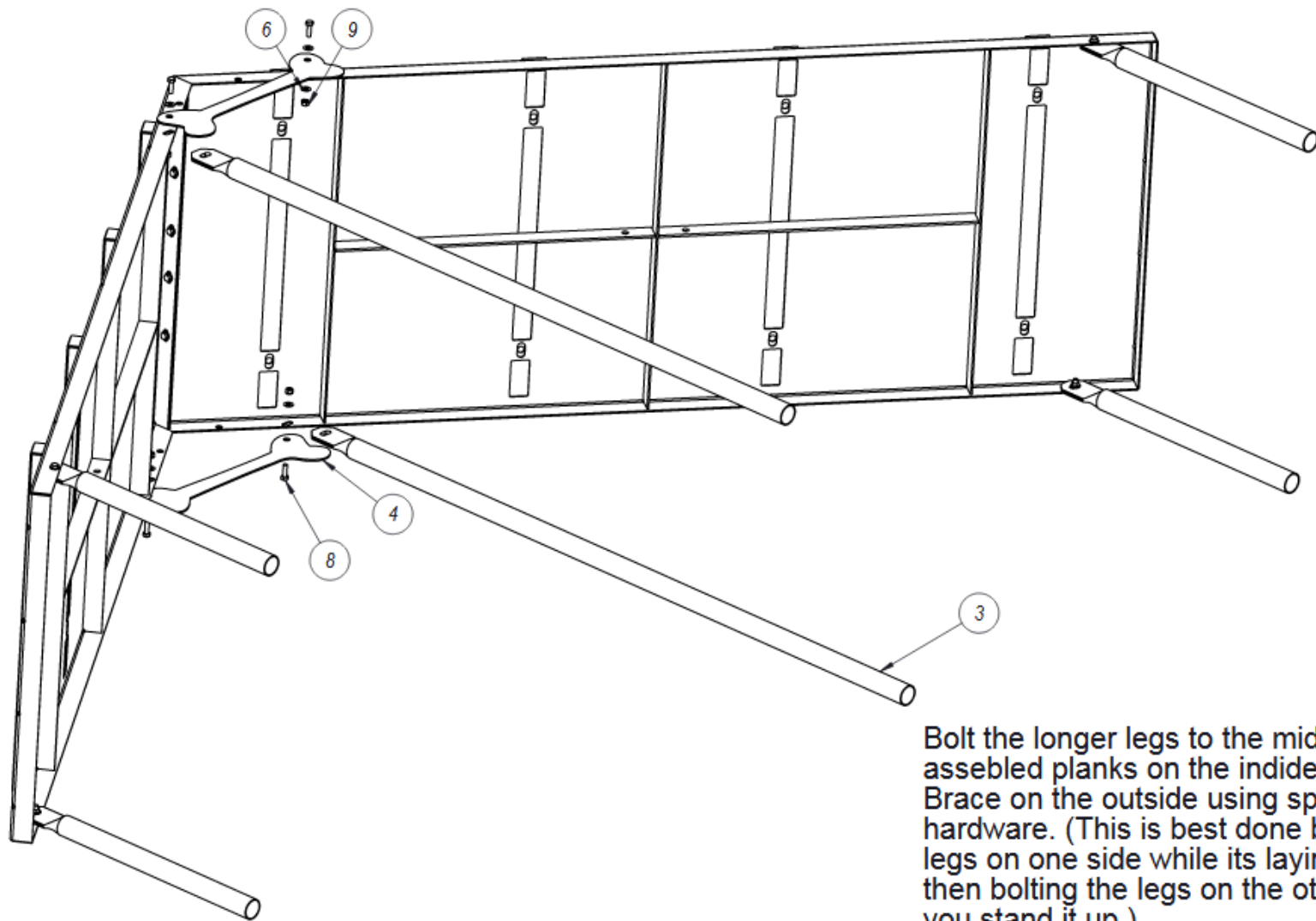
Bolt King of the Hill Planks together using specified hardware. (This is done best laying on its side.)

STEP 2



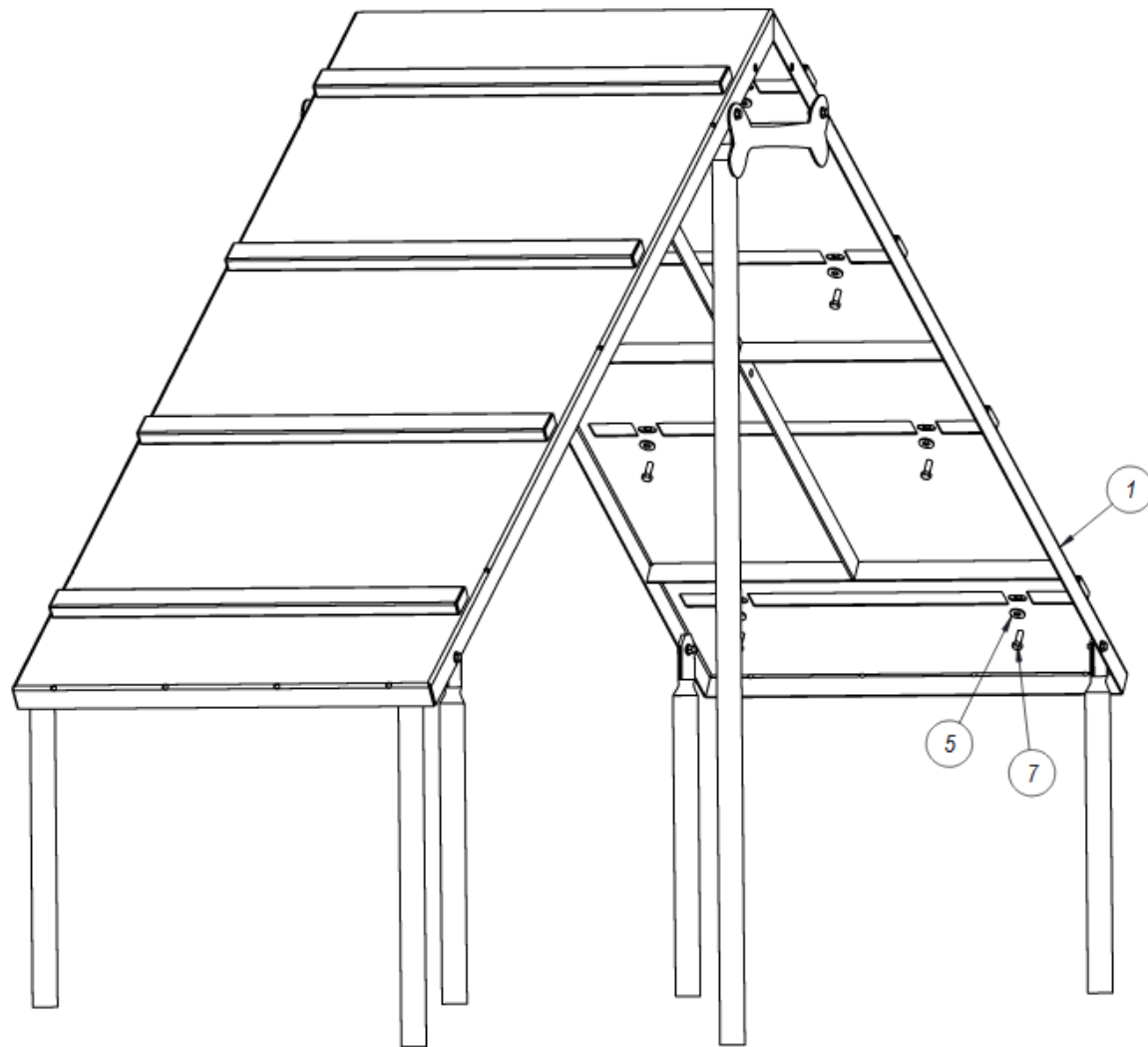
Bolt the shorter legs to the assembled planks on the inside at each end using specified hardware. (This is also best done laying on its side.)

STEP 3



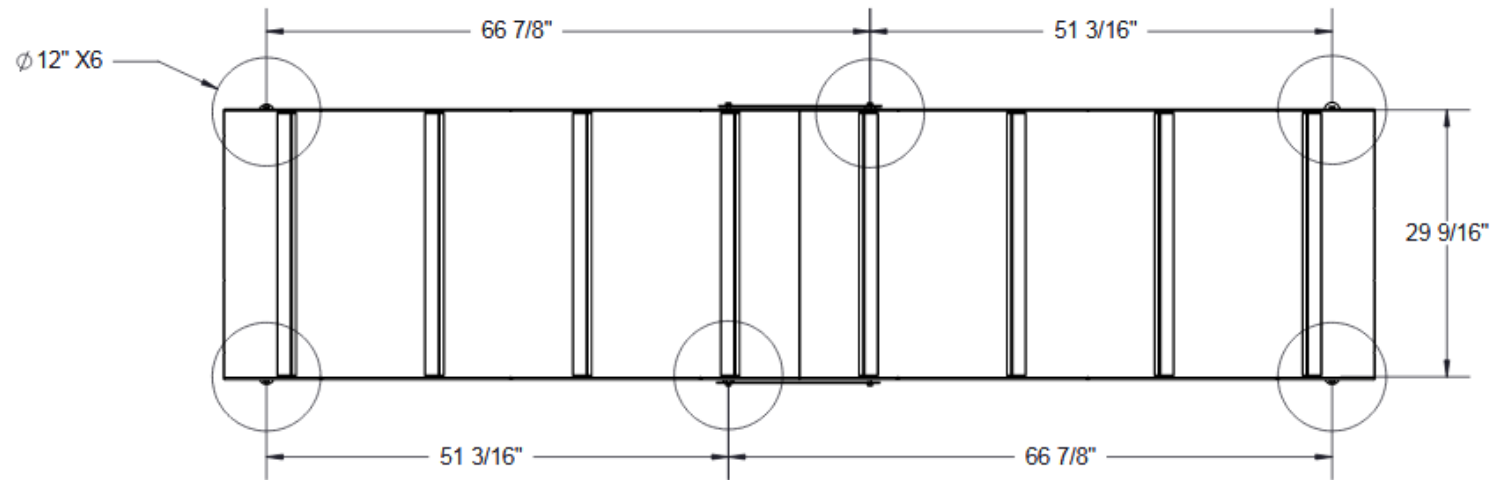
Bolt the longer legs to the middle of the assembled planks on the inside and the Bone Brace on the outside using specified hardware. (This is best done by bolting the legs on one side while it's laying down and then bolting the legs on the other side after you stand it up.)

STEP 4

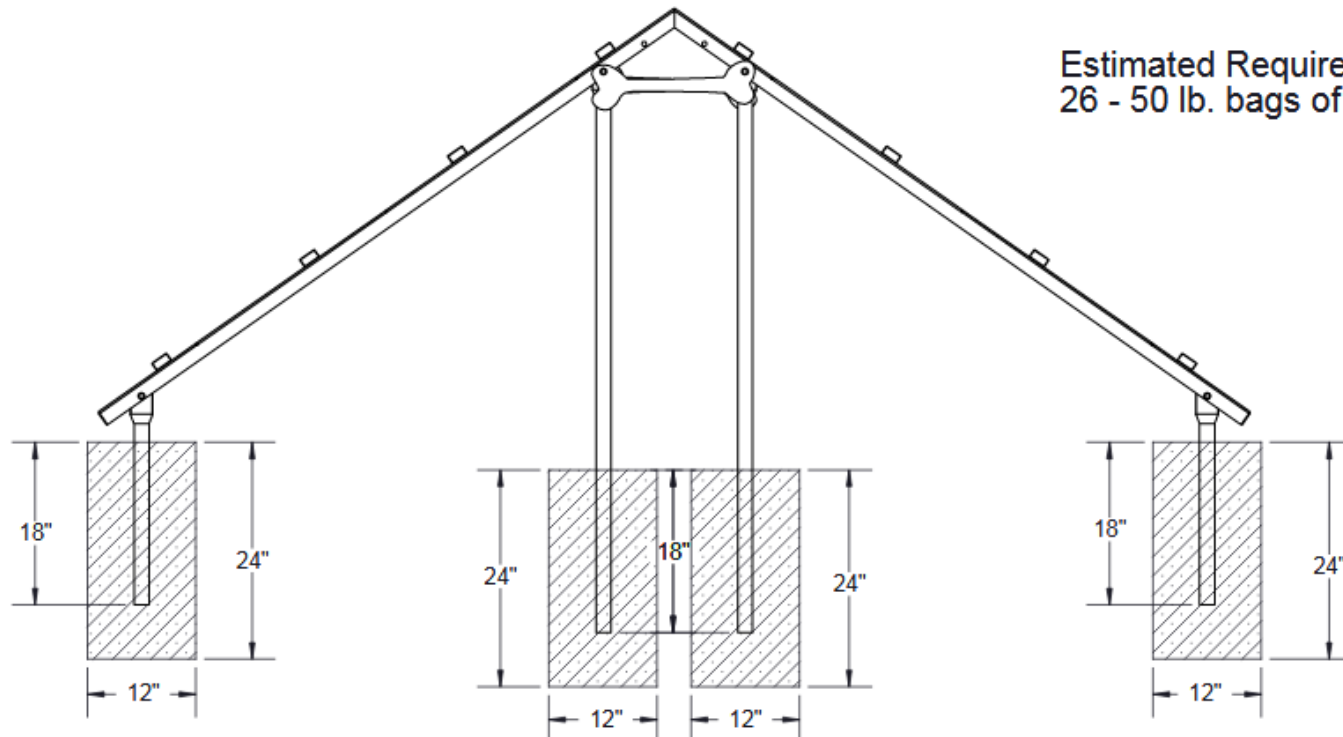


Attach the Step Strips
using specified
hardware.

FOOTINGS



Estimated Required Concrete:
26 - 50 lb. bags of concrete mix



OVERALL DIMENSIONS

