

Model # BARK-480

BARK PARK PRODUCT SPECIFICATIONS

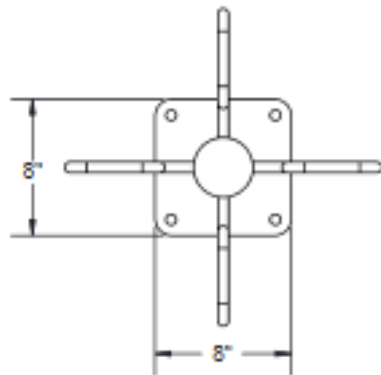
BARK-480 Leash Post

Frame: 3 1/2" x 10 ga. pregalvanized steel tubing. 8" sq. x 1/4" thick steel surface mount plate. Leash attachment rods are 5/8" solid rods.

Coating: Electrostatic powder coated application oven cured.

Dimensions: 36 3/4" tall.

OVERALL DIMENSIONS



Recommended surface mount
hardware: 3/8" x 3 1/2" Concrete
Expansion Anchor Bolts (NOT
INCLUDED)

