



Hardware Required



5/16" x 1-1/4"
CARRIAGE BOLT



5/16" KEP NUT



5/16" WASHER

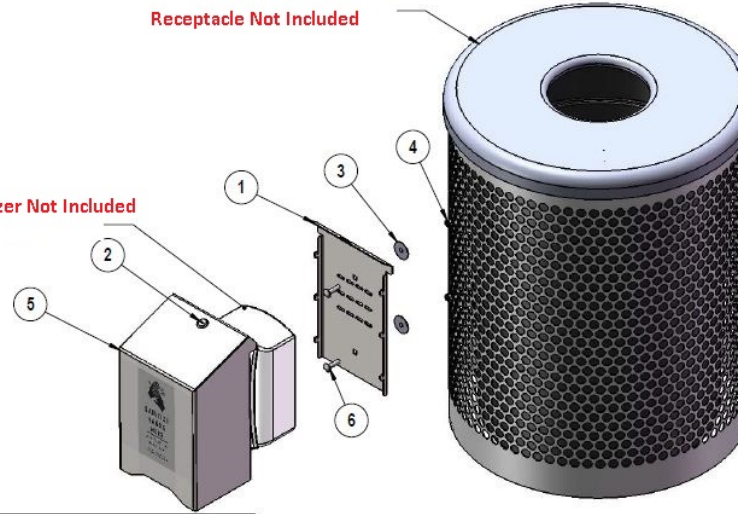


#6 x 2" DECK SCREW

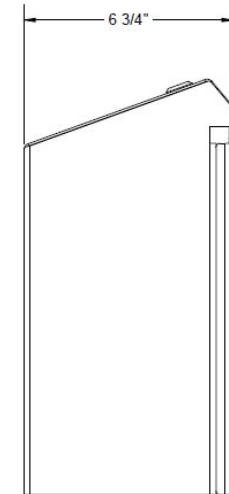
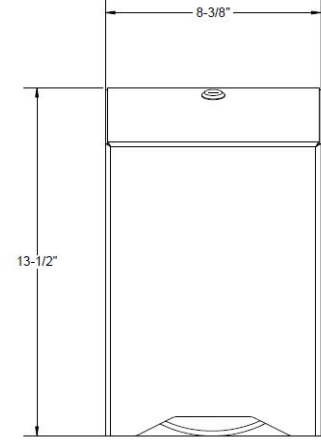
Parts List

Receptacle Not Included

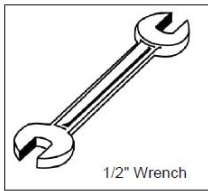
Sanitizer Not Included



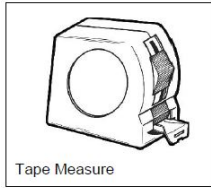
Dimensions



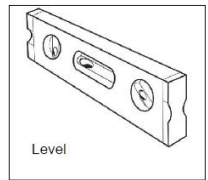
Tools Required:



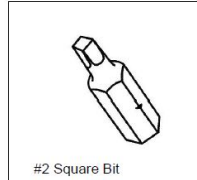
1/2" Wrench



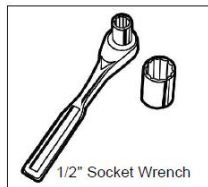
Tape Measure



Level



#2 Square Bit



1/2" Socket Wrench

ITEM NO.	PartNo	DESCRIPTION	QTY.
1	01-05-0309	automatic dispenser hand sanitizer back	1
2	01-08-0106	Cabinet Lock w/ Keys (REF# VLT-080813-LM1)	1
3	33-02-0025	5/16" Zinc Plated Fender Washer (1.5" OD)	2
4	33-03-0012	5/16" Kep Nut (SS)	2
5	01-05-0311	automatic dispenser hand sanitizer front	1
6	33-05-0030	5/16" x 1-1/4" Carriage Bolt (SS)	2
7	33-05-0072	Square Drive Deck Screw - #6 x 2"	2
8	01-05-0312	sanitize hands here label	1

WARRANTY: OCCOutdoors, Inc. provides a 5-year Limited Warranty on Thermoplastic coated site amenities. OCCOutdoors guarantees all items for one full year to be free of defects in workmanship or materials when installed and maintained properly. Thermoplastic coating meets and exceeds AAMA 2604-05 (American Architectural Manufacturers Association) test specifications. We agree to repair or replace any items determined to be defective. Items specifically not covered by this warranty include vandalism, man-made or natural disasters, lack of maintenance, normal weathering, or wear and tear due to public abuse.

Items damaged or lost in transit are the responsibility of the carrier, whether visible or concealed. It is the responsibility of the recipient to assure that the order is received complete. Before signing the delivery receipt, inspect the shipment immediately and completely. Note any damages or shortages on the bill of lading. Damage reports must be filed within 5 days. OCCOutdoors is not responsible for damages or loss in transit. Title to all goods passes to the customer at the time of shipment. OCCOutdoors will assist in filing claims if the freight arrangements were made by OCCOutdoors at your request.

This document contains OCC Outdoors Proprietary Information. No intellectual copyright or license is granted by OCC Outdoors in connection with it. It is delivered on the express condition that the document and the information contained in it shall be treated as confidential, shall not be used for and purpose other than that for which it is hereby delivered (the use and maintenance of the product supplied). It shall not be disclosed in whole or part to third parties and shall not be duplicated in any manner without OCC Outdoors's prior approval.

OCC Outdoors Products

PH: 1-800-821-7670

EMAIL - occcontact@occoutdoors.com

Fax: 1-317-862-9422

Part #: OCC-1006

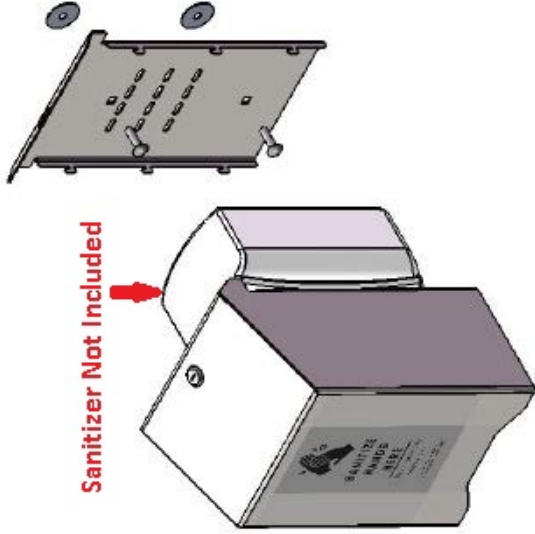
Large Wall Mount or Add
On Sanitizer Holder

Attach enclosure back to receptacle or wall using specified hardware. Attach dispenser to back plate and attached front cover to back plate. Apply label to front cover.

Receptacle Not Included



Sanitizer Not Included



Decal



**Sanitize
Hands
Here**

**Desinfecte sus
manos aquí**

Caution: For hands only
Atención: Solo para manos