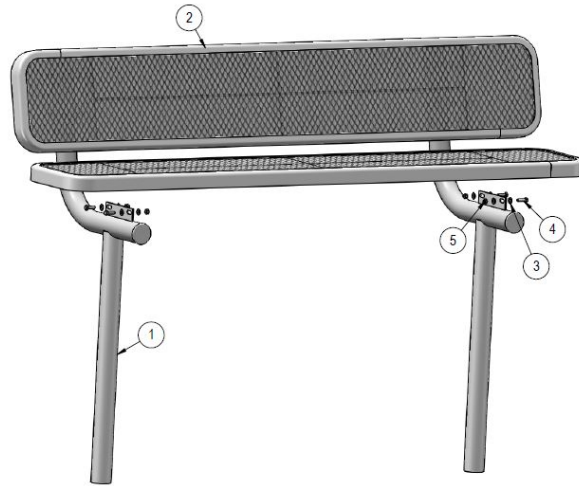
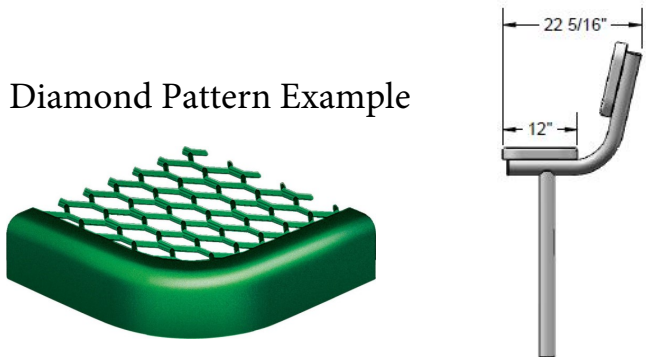
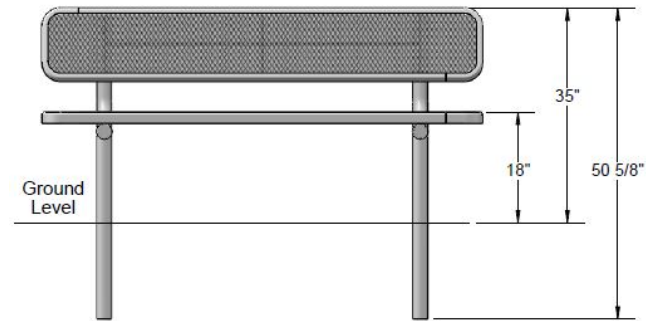
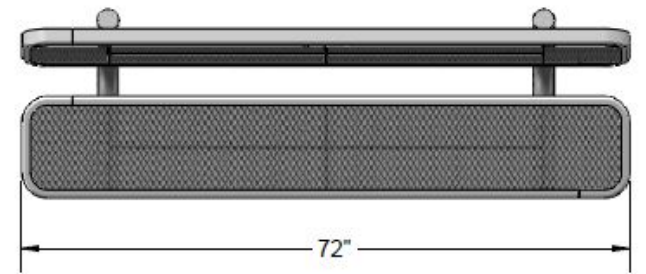




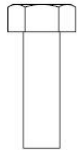
### Parts Diagram/List



### Dimensions



### Hardware Included



5/16" x 1" Machine Bolt



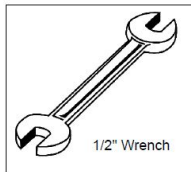
5/16" Washer



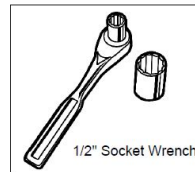
5/16" Kep Nut

ITEM NO.	PartNo	DESCRIPTION	QTY
1	P-V940S	940 In Ground Leg	2
2	T-V72-S	6' Expanded Seat	2
3	33-02-0007	5/16" Flat Washer (SS)	16
4	33-05-0029	5/16" x 1" Machine Bolt (SS)	8
5	33-03-0012	5/16" Kep Nut (SS)	8

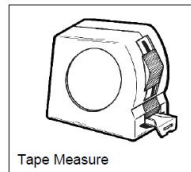
### Tools Required



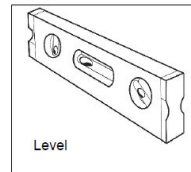
1/2" Wrench



1/2" Socket Wrench



Tape Measure



Level

### Diamond Pattern Example



**WARRANTY:** OCCOutdoors, Inc. guarantees all items for one full year to be free of defects in workmanship or materials when installed and maintained properly. We agree to repair or replace, any items determined to be defective. Items specifically not covered by this warranty include vandalism, manmade or natural disasters, lack of maintenance, normal weathering or wear and tear due to public abuse.

#### NOTES:

1. INSTALLATION TO BE COMPLETED IN ACCORDANCE WITH MANUFACTURER'S SPECIFICATIONS.
2. ALL DIMENSIONS ARE CONSIDERED TRUE AND REFLECT MANUFACTURER'S SPECIFICATIONS
3. DO NOT SCALE DRAWING.

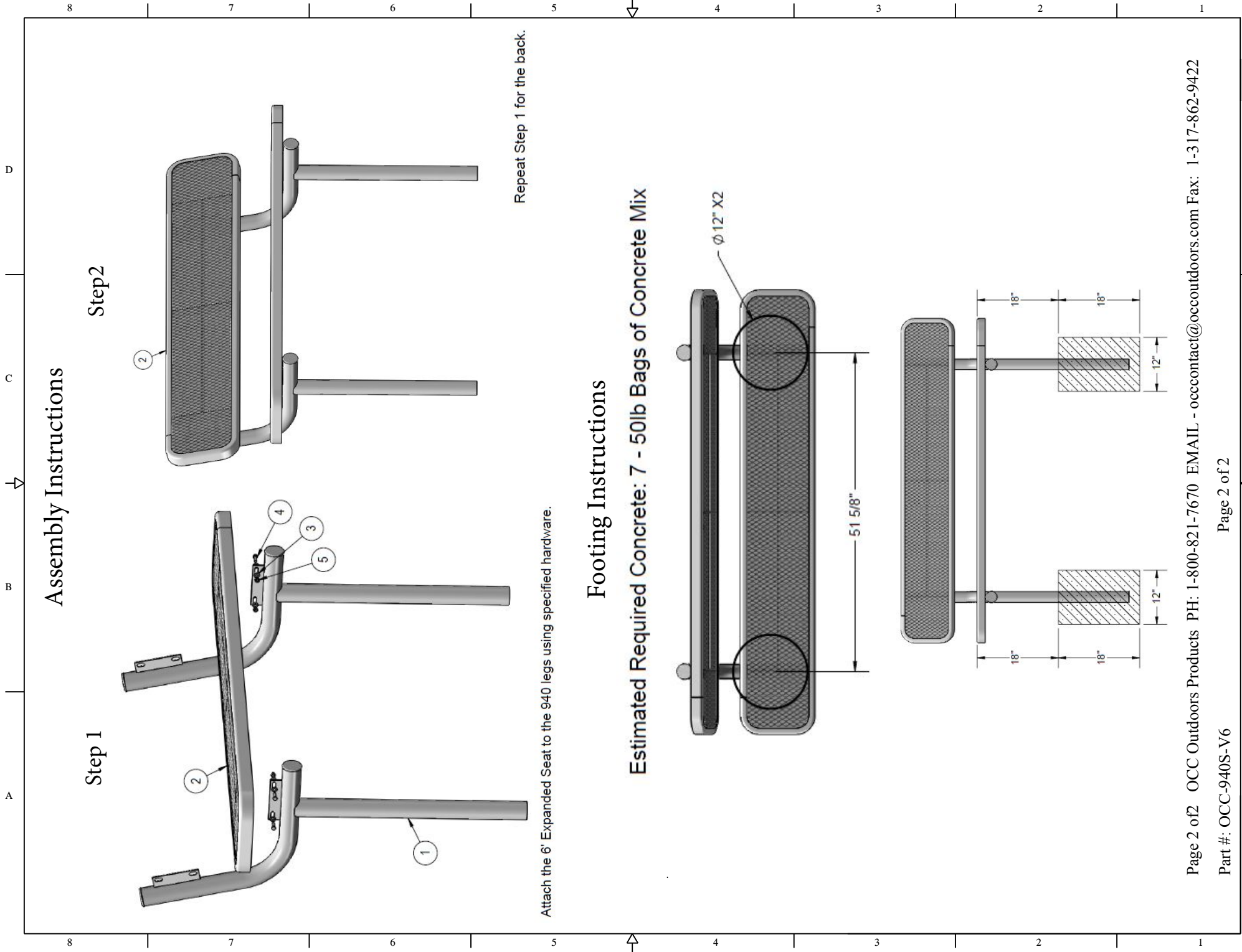
This document contains OCC Outdoors Proprietary Information. No intellectual copyright or license is granted by OCC Outdoors in connection with it. It is delivered on the express condition that the document and the information contained in it shall be treated as confidential, shall not be used for and purpose other than that for which it is hereby delivered (the use and maintenance of the product supplied). It shall not be disclosed in whole or part to third parties and shall not be duplicated in any manner without OCC Outdoors's prior approval.

OCC Outdoors Products  
 PH: 1-800-821-7670  
 EMAIL - [occontact@occoutdoors.com](mailto:occontact@occoutdoors.com)  
 Fax: 1-317-862-9422

**Part #: OCC-940S-V6**

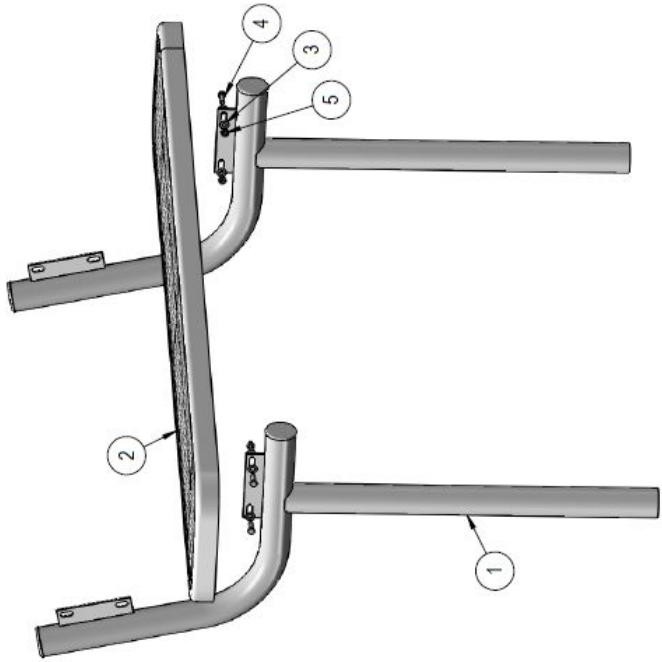
Date: 12/22/2015

**OCC Outdoors 6' Heavy Duty Bench, In-Ground Mount. Diamond Pattern 12" Seat and Back,**



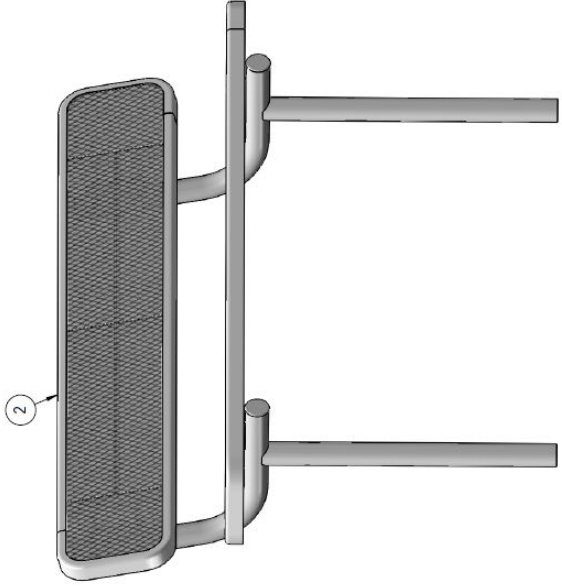
# Assembly Instructions

## Step 1



Attach the 6' Expanded Seat to the 940 legs using specified hardware.

## Step 2



Repeat Step 1 for the back.

# Footing Instructions

Estimated Required Concrete: 7 - 50lb Bags of Concrete Mix

