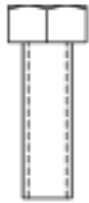


Model # BARK-420

## HARDWARE



5/16" x 1"  
Machine Bolt

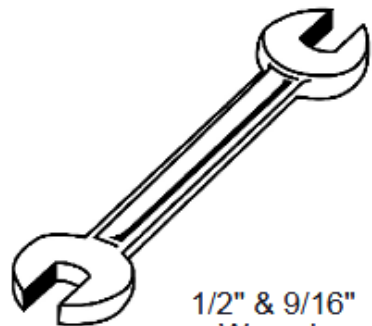


5/16" Washer



5/16" Kep Nut

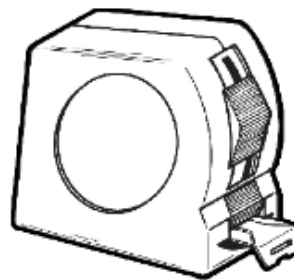
## TOOLS REQUIRED



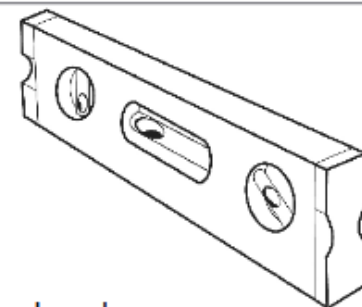
1/2" & 9/16"  
Wrench



1/2" & 9/16"  
Socket Wrench



Tape Measure



Level

## BARK PARK PRODUCT SPECIFICATIONS

### **BARK-420 Paws Table**

**Planking:** 12 gauge sheet steel. 5/8" diameter holes are precision punched to create the perforated pattern. 3/4" x 1" flat bar understructure. Electrically MIG welded.

**Coating:** Oven fused functionalized polyethylene copolymer-based thermoplastic. Fluidized bed coating application with superior mechanical performance, impact resistance and UV-stability. Steel walking planks feature BarkPark's proprietary CanineCoat™, a thermoplastic coating that has been specially developed to provide superior slip-resistant traction for dog's paws.

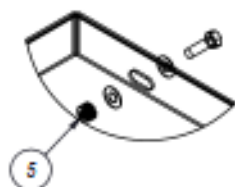
**Frame:** 1-5/8" O.D. x 14 gauge pre-galvanized structural steel tubing.

**Frame Coating:** Electrostatic powder coated application oven cured.

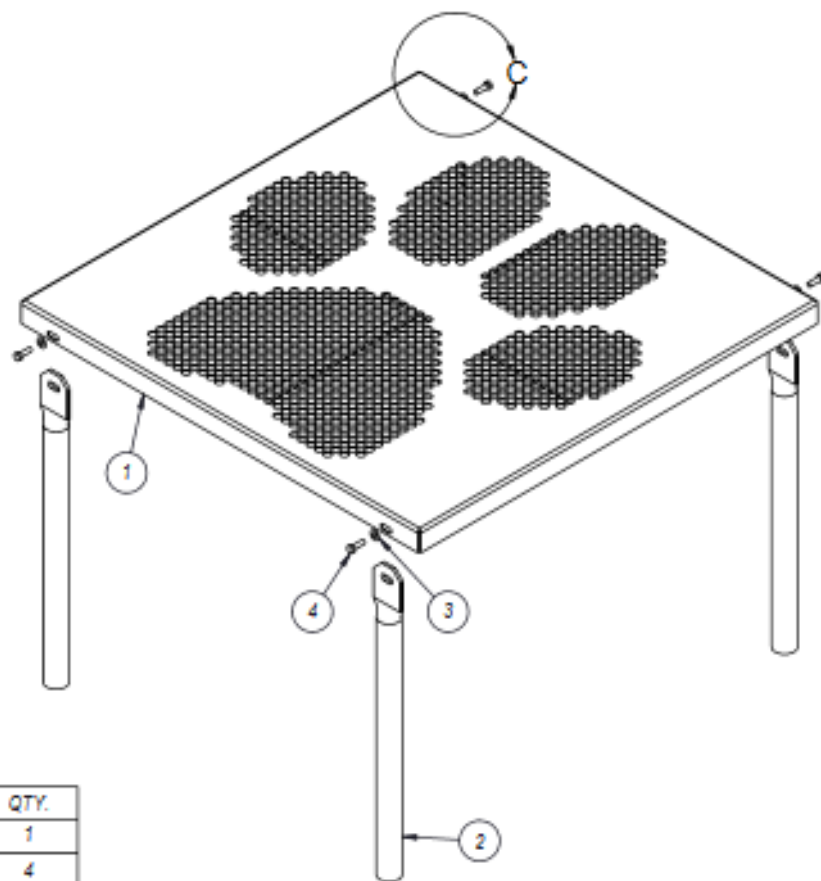
**Hardware:** All stainless steel hardware fasteners.

**Dimensions:** Outside to outside dimensions are 36" sq x 12" tall.

## COMPONENTS

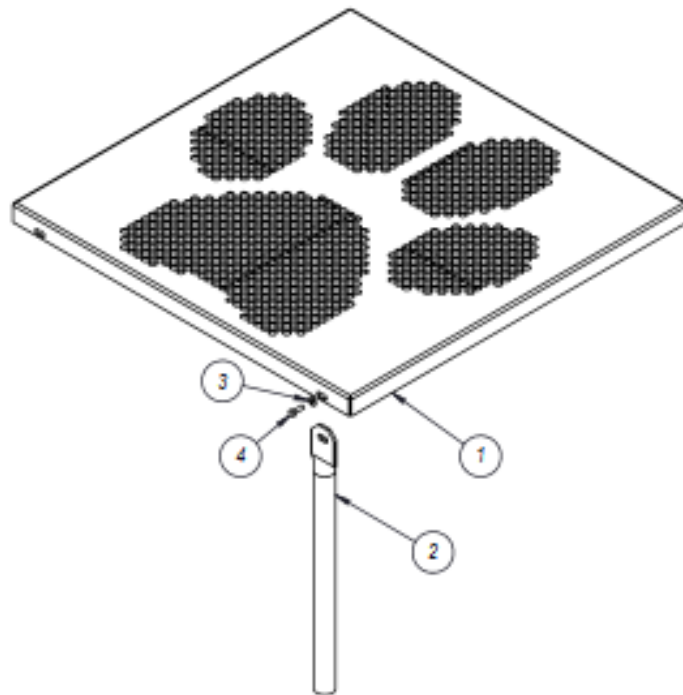


DETAIL C  
SCALE 1 : 5



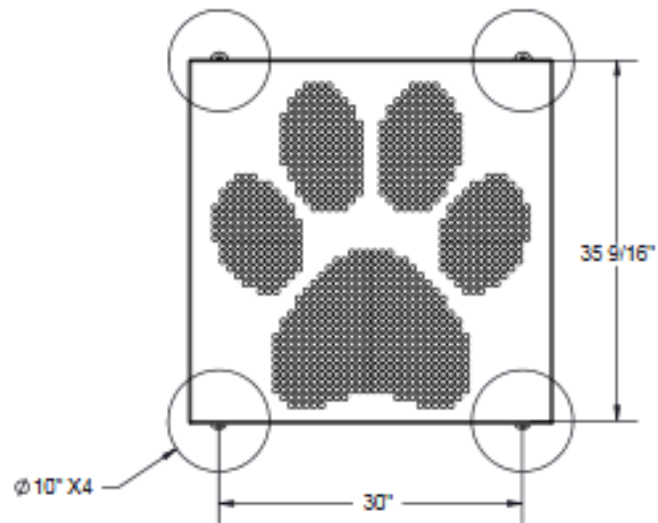
ITEM NO.	PartNo	DESCRIPTION	QTY.
1	T-01-08-0024	Paws Table Top	1
2	P-01-08-0018	24 1/8" Post	4
3	33-02-0007	5/16" Flat Washer (SS)	8
4	33-05-0029	5/16" x 1" Machine Bolt (SS)	4
5	33-03-0012	5/16" Kee Nut (SS)	4

## INSTRUCTIONS

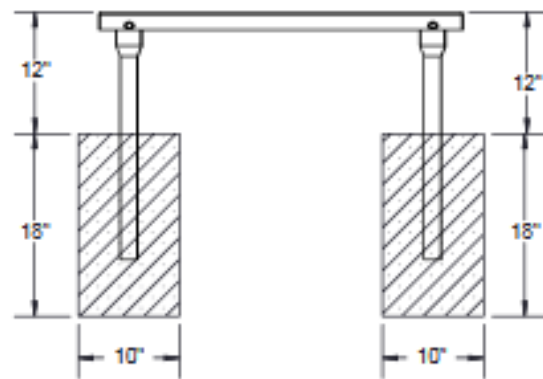


Attach the leg to in  
the inner side of the  
table using  
specified hardware.  
Repeat for all legs.

## FOOTINGS



Estimated Required Concrete:  
9 - 50 lb. bags of concrete mix



# OVERALL DIMENSIONS

