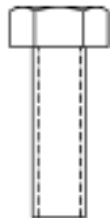


HARDWARE



5/16" x 1"
Machine Bolt

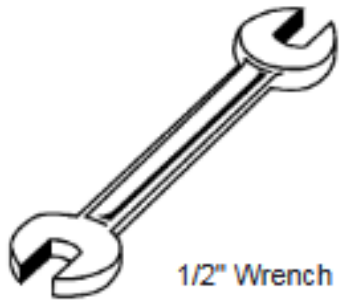


5/16" Washer



5/16" Kep Nut

TOOLS REQUIRED



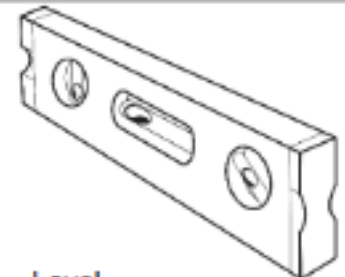
1/2" Wrench



1/2" Socket Wrench



Tape Measure



Level

BARK PARK PRODUCT SPECIFICATIONS

BARK-470 Stepping Paws

Planking: 12 gauge spun sheet steel. 3/8" diameter holes are precision punched to create the perforated pattern. 10 ga. flat bar understructure. Electrically MIG welded.

Coating: Oven fused functionalized polyethylene copolymer-based thermoplastic. Fluidized bed coating application with superior mechanical performance, impact resistance and UV-stability. Steel walking planks feature BarkPark's proprietary CanineCoat™, a thermoplastic coating that has been specially developed to provide superior slip-resistant traction for dog's paws.

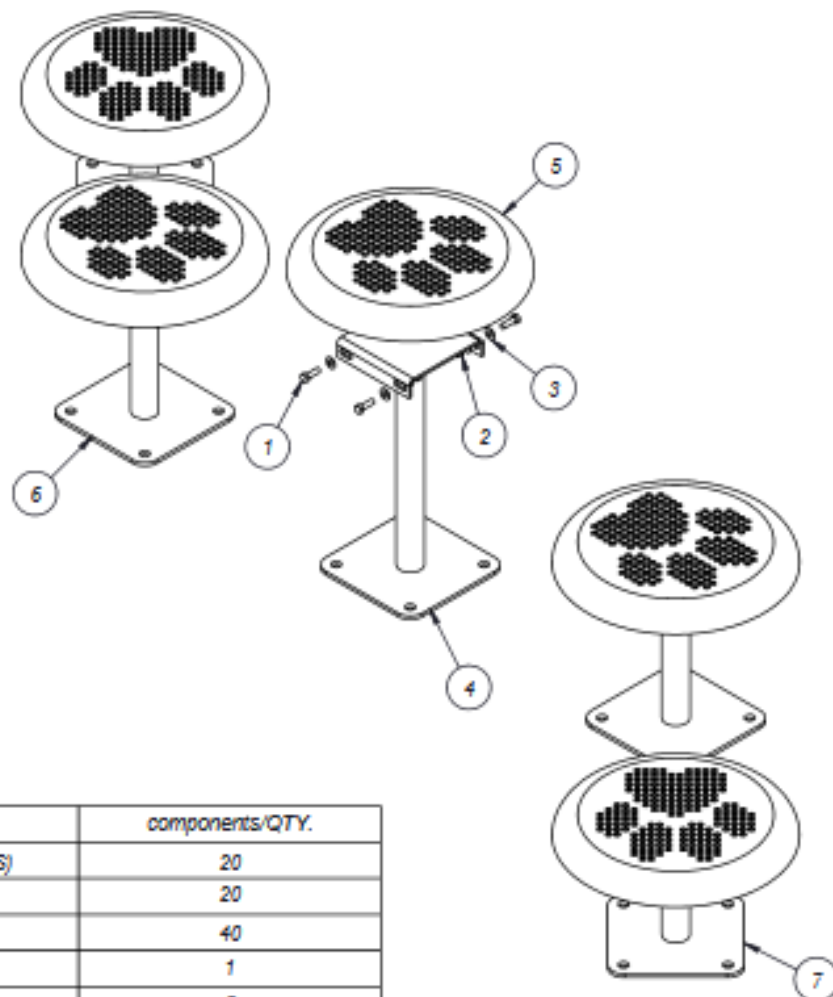
Frame: 1-5/8" O.D. x 14 gauge pre-galvanized structural steel tubing. 7 gauge attachment bracket. 8" sq. x 1/4" thick surface mount plate.

Frame Coating: Electrostatic powder coated application oven cured.

Hardware: All stainless steel hardware fasteners.

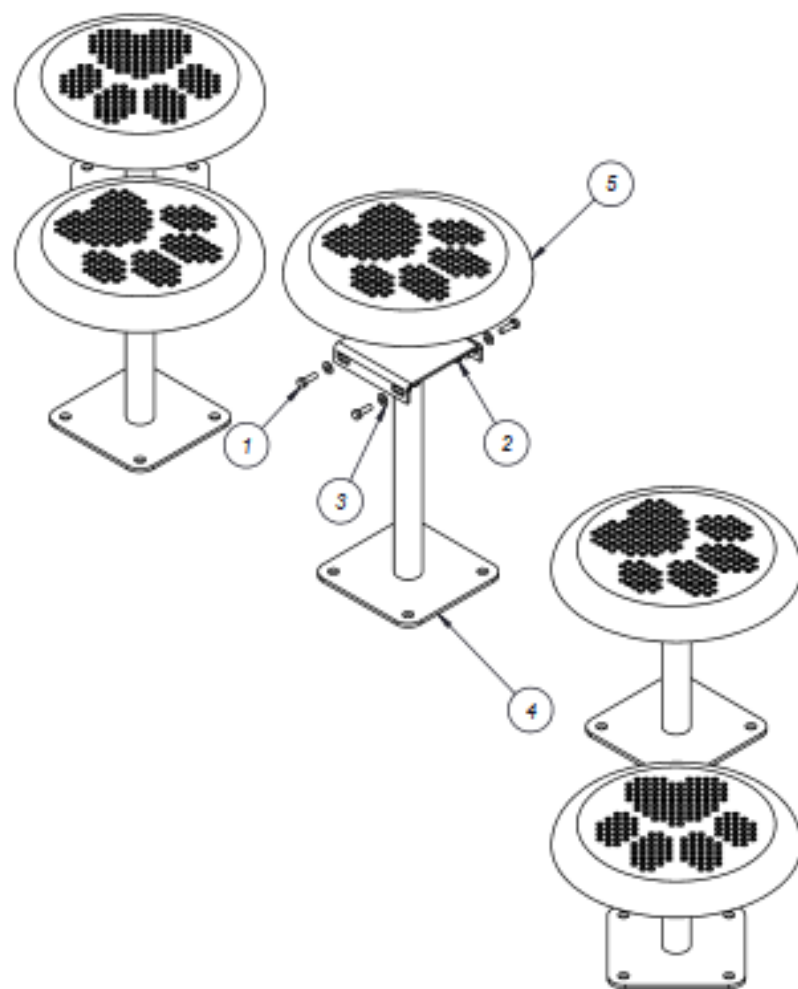
Dimensions: Each stepping paw is 14 1/2" OD x 8" , 12" or 16" tall.

COMPONENTS



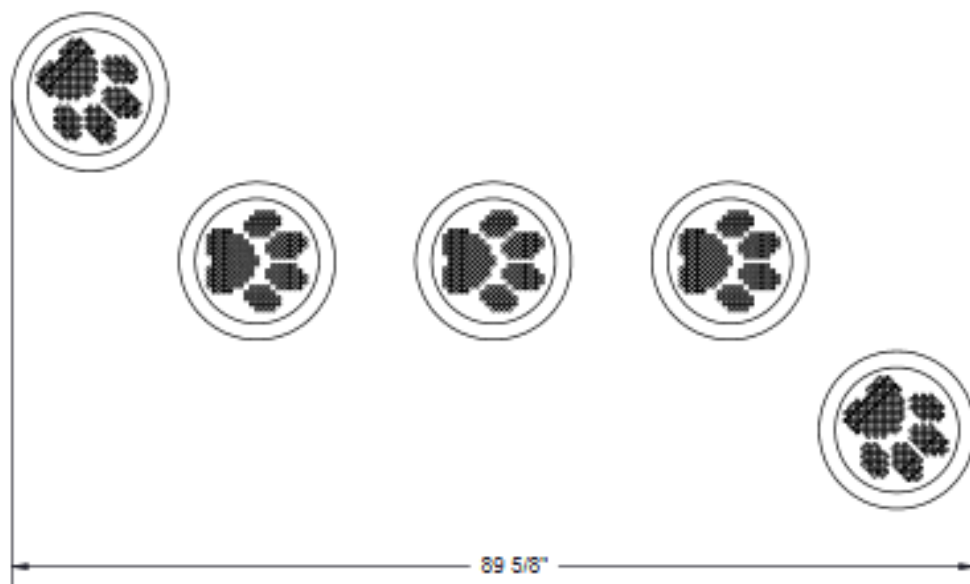
ITEM NO.	PartNo	DESCRIPTION	components/QTY.
1	33-05-0029	5/16" x 1" Machine Bolt (SS)	20
2	33-03-0012	5/16" Kep Nut (SS)	20
3	33-02-0007	5/16" Flat Washer (SS)	40
4	P-01-08-0043	16" Stepping Paw Post	1
5	T-01-08-0040	Stepping Paw Plank	5
6	P-01-08-0042	12" Stepping Paw Post	2
7	P-01-08-0041	8" Stepping Paw Post	2

INSTRUCTIONS



Bolt the Stepping Paw Plank to the stand using specified hardware. Repeat this for all Stepping Paws.

OVERALL DIMENSIONS



Recommended surface mount
hardware: $\frac{3}{8}'' \times 3 \frac{1}{2}''$ Concrete
Expansion Anchor Bolts.

