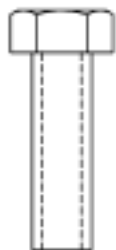


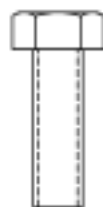
Model # BARK-440



HARDWARE



3/8" x 1 1/4"
Machine Bolt



5/16" x 1"
Machine Bolt



3/8" Washer



5/16" Washer



Sleeve Bearing

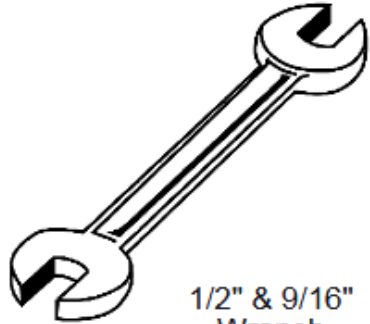


3/8" Hex Nut



5/16" Kep Nut

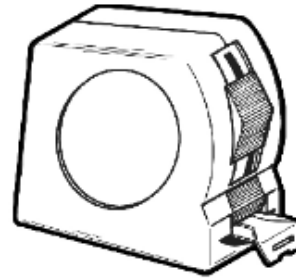
TOOLS REQUIRED



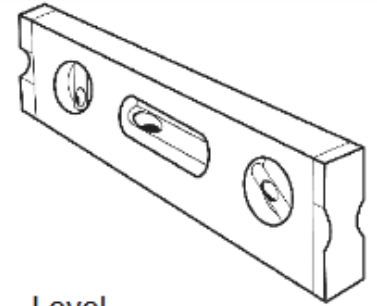
1/2" & 9/16"
Wrench



1/2" & 9/16"
Socket Wrench



Tape Measure



Level

BARK PARK PRODUCT SPECIFICATIONS

BARK-440 Teeter Totter

Planking: 12 gauge sheet steel. 7 ga. x 1 ½" flat bar understructure. Attachment tabs are ¼" thick steel plate. Electrically MIG welded.

Coating: Oven fused functionalized polyethylene copolymer-based thermoplastic. Fluidized bed coating application with superior mechanical performance, impact resistance and UV-stability. Steel walking planks feature BarkPark's proprietary CanineCoat™, a thermoplastic coating that has been specially developed to provide superior slip-resistant traction for dog's paws.

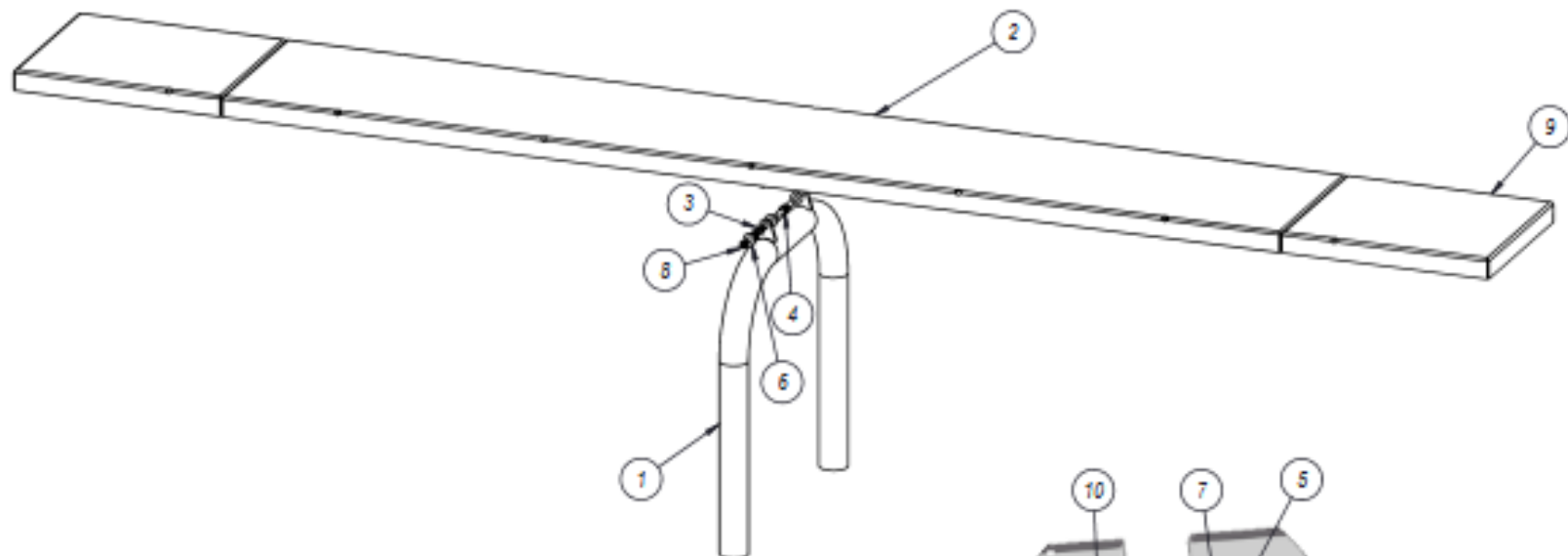
Frame: 2 3/8" O.D. x 12 gauge pre-galvanized structural steel tubing.

Frame Coating: Electrostatic powder coated application oven cured.

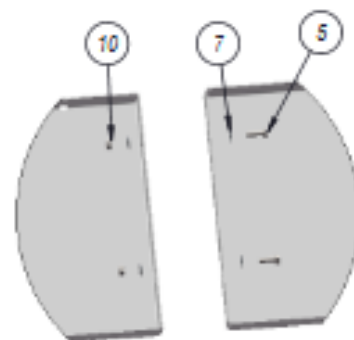
Hardware: All stainless steel hardware fasteners.

Dimensions: Outside to outside dimensions are 92" long x 15" wide.

COMPONENTS

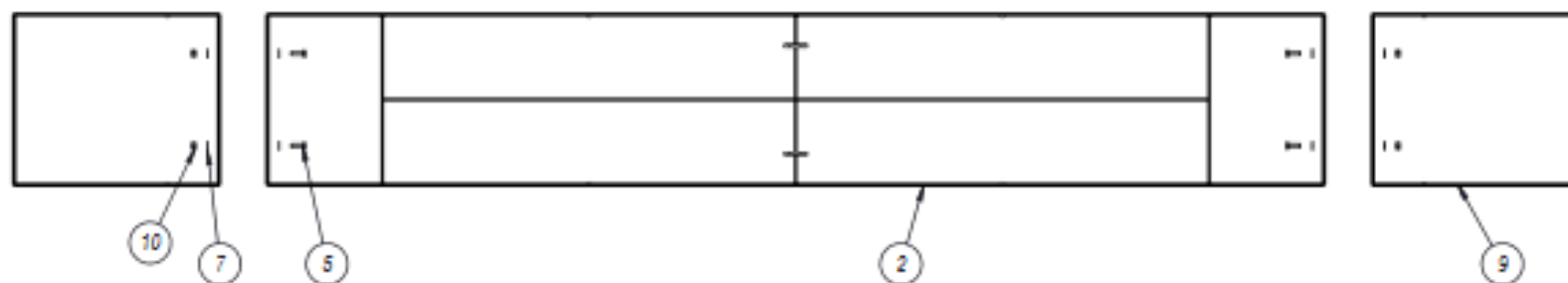


ITEM NO.	PartNo	DESCRIPTION	QTY
1	P-01-08-0032	Teeter Toter Frame	1
2	T-01-08-0030	Teeter Toter Plank	1
3	55-6389k411	3/8" Sleeve Bearing	4
4	33-05-0019	3/8" x 1 1/4" Machine Bolt (Zinc)	2
5	33-05-0029	5/16" x 1" Machine Bolt (SS)	4
6	33-02-0008	3/8" Flat Washer (SS)	4
7	33-02-0007	5/16" Flat Washer (SS)	8
8	33-01-0002	3/8" Hex Nut (Zinc)	2
9	T-01-08-0031	Teeter Toter plank extension	2
10	33-03-0012	5/16" Kep Nut (SS)	4



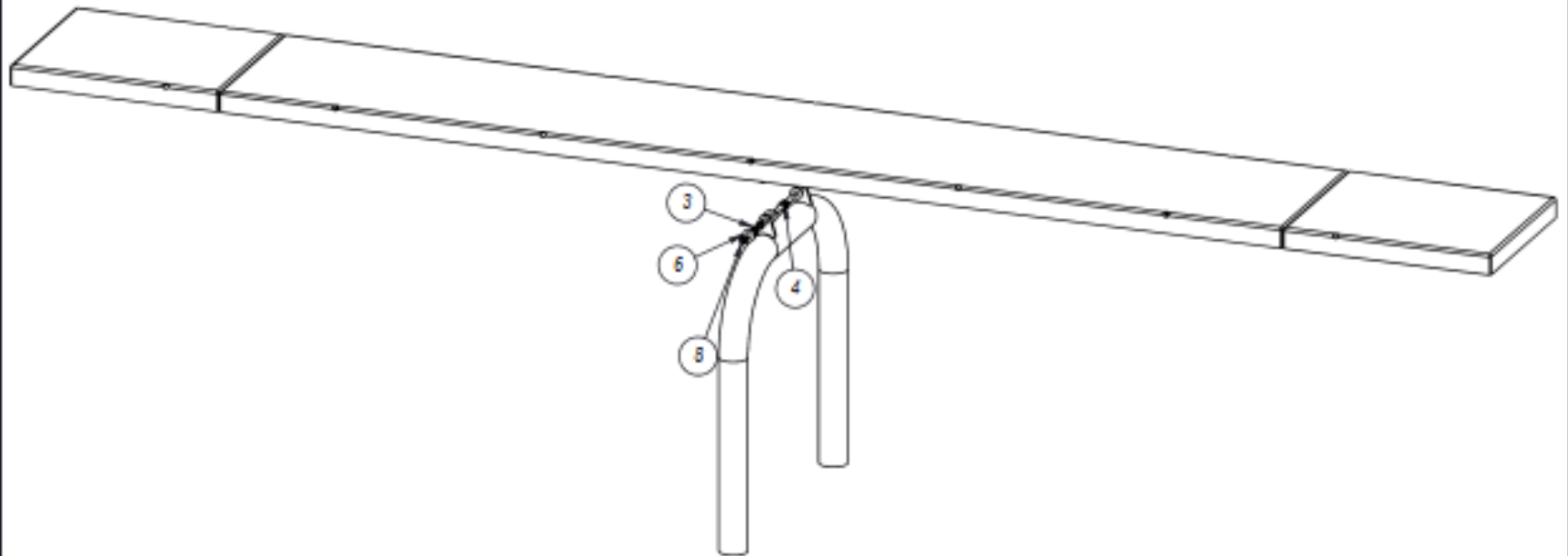
DETAIL UNDERNEATH
SCALE 1 : 10

STEP 1



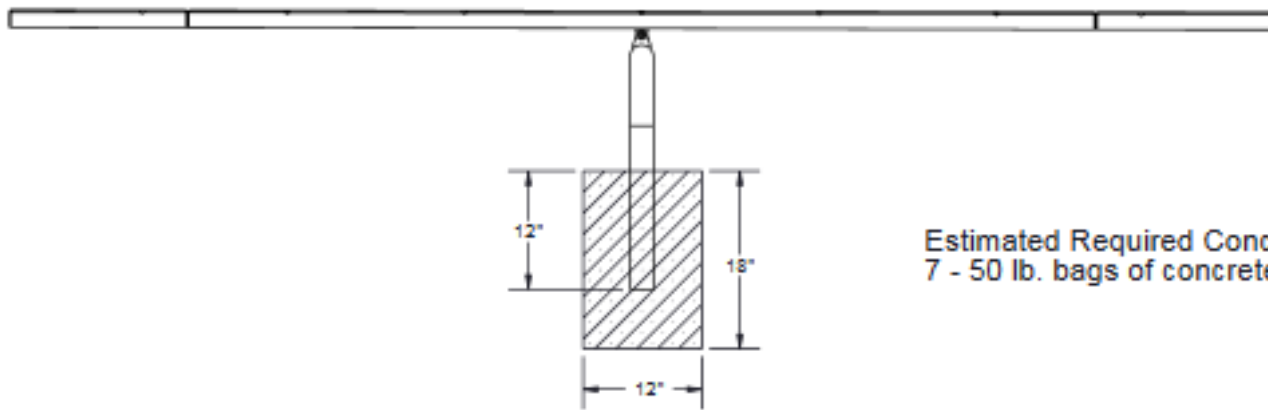
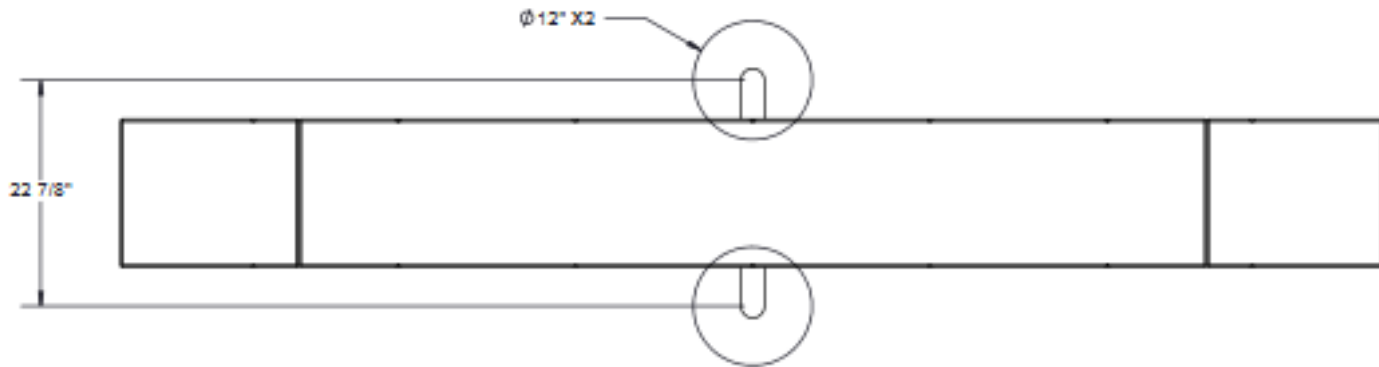
Bolt the Teeter Totter Plank and extensions together using specified hardware.

STEP 2



Attach the leg to the assembled planks using specified hardware.

FOOTINGS



Estimated Required Concrete:
7 - 50 lb. bags of concrete mix

OVERALL DIMENSIONS

