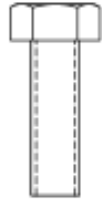


Model # BARK-358-RDP

HARDWARE



5/16" x 1"
Machine Bolt

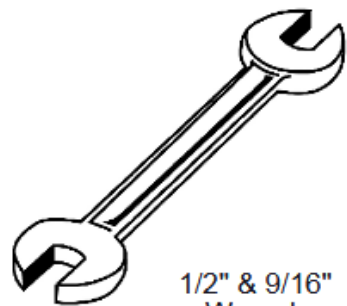


5/16" Washer



5/16" Hex Nut

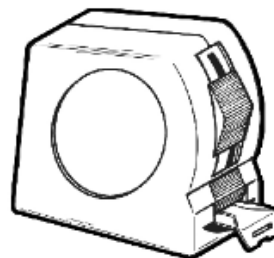
TOOLS REQUIRED



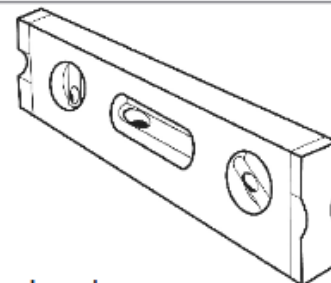
1/2" & 9/16"
Wrench



1/2" & 9/16"
Socket Wrench



Tape Measure



Level

BARK PARK PRODUCT SPECIFICATIONS

BARK-358-RDP

Top & Seats: 11 gauge die formed angle frame 1"x1-7/8" with 3" radius on the seat corners. A 12 gauge piece of sheet steel is precision punched with a 5/8" hole to create the punched hole pattern. The understructure/attachment plates are fabricated from 7 gauge x 1-1/2" flat bar. Top is additionally supported to the outer frame with 7 gauge x 1-1/2" flat bar. Electrically MIG welded.

Coating: Oven fused functionalized polyethylene copolymer-based thermoplastic.
Fluidized bed coating application with superior mechanical performance, impact resistance and UV-stability.

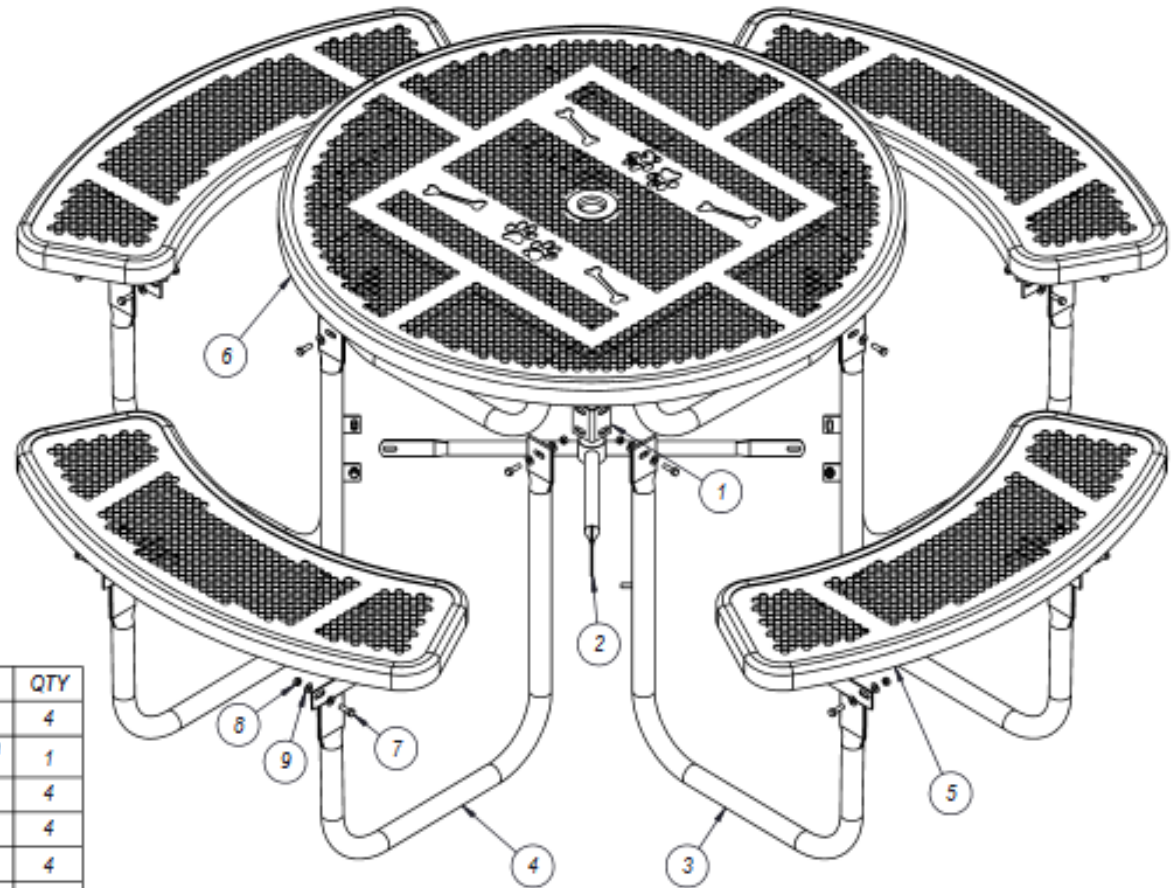
Frame: 1-5/8" O.D. x 14 gauge pre-galvanized structural steel tubing. Brace attachment points are 1-1/2"x2"x3/16" steel flat bar. Cross braces 1.029 O.D. x 15 gauge pre-galvanized structural steel tubing. Top is attached with 7 gauge 2"x2" die formed angle. Seat mounting points are 7 gauge x 1-1/2" die stamped steel flat bar. Legs are bent over a mandrel through the bend radius producing a wrinkle free bend. All electrically MIG welded.

Frame Coating: Electrostatic powder coated application oven cured.

Hardware: All stainless steel hardware fasteners.

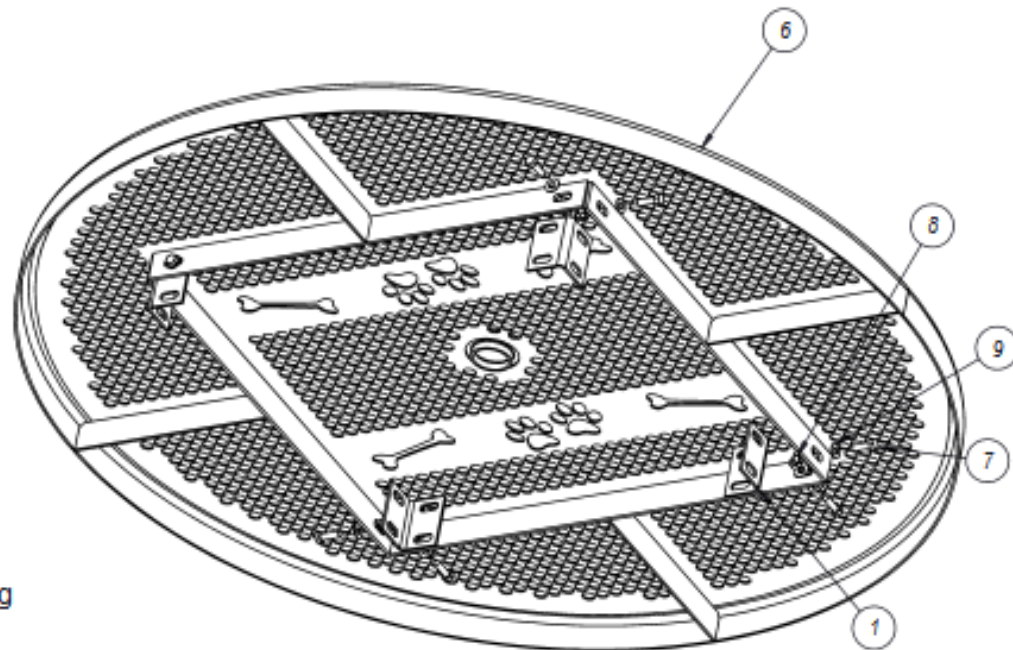
Dimensions: Top is 46-1/8" round x 30" high. Seats are 12-1/8" wide x 40-1/8" long x 18" high. Outside to outside dimensions of 4 seat table is 82" x 82".

COMPONENTS



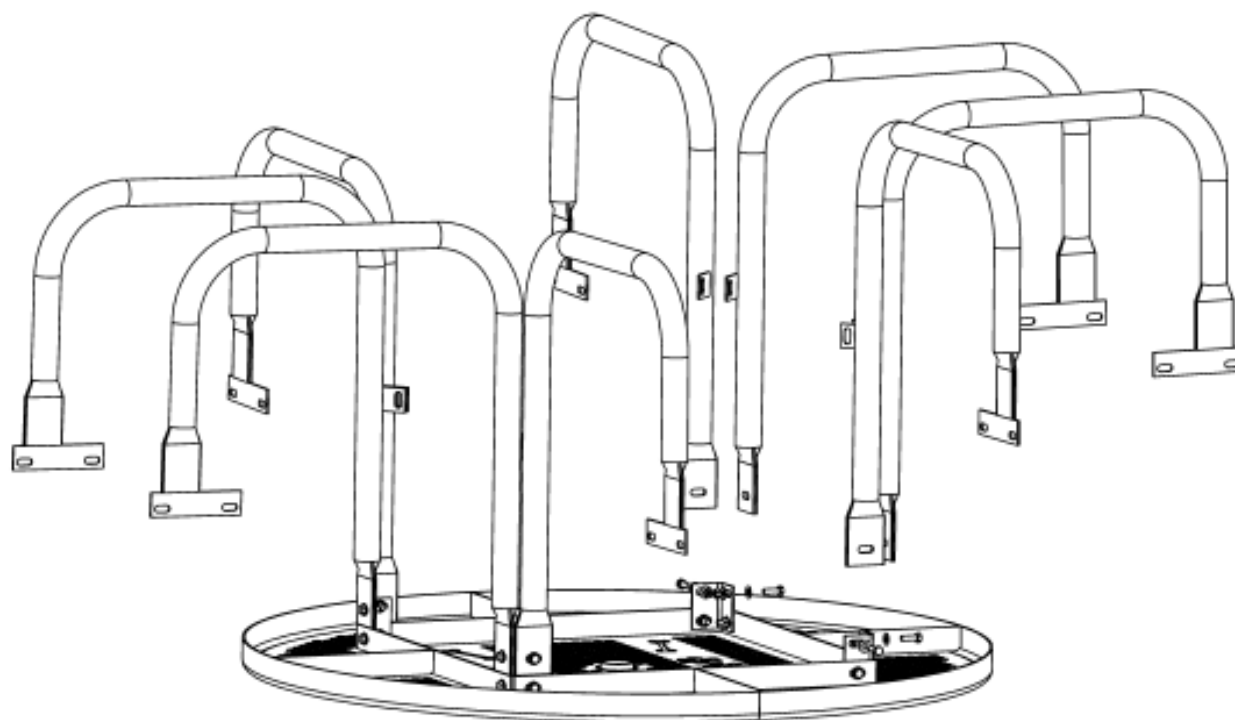
ITEM NO.	PartNo	DESCRIPTION	QTY
1	P-01-04-0121	358 Extension Tab	4
2	P-01-04-0122	358 Crossbrace w/ Umbrella Tube	1
3	P-V358-L	358 Vinyl Leg L	4
4	P-V358-R	358 Vinyl Leg R	4
5	T-P36RD-S	3' Punched Round Seat	4
6	T-01-08-0052	Bark Park Punched 46" Round Top	1
7	33-05-0029	5/16" x 1" Machine Bolt (SS)	36
8	33-03-0009	5/16" Hex Nut (SS)	36
9	33-02-0007	5/16" Flat Washer (SS)	72

STEP 1



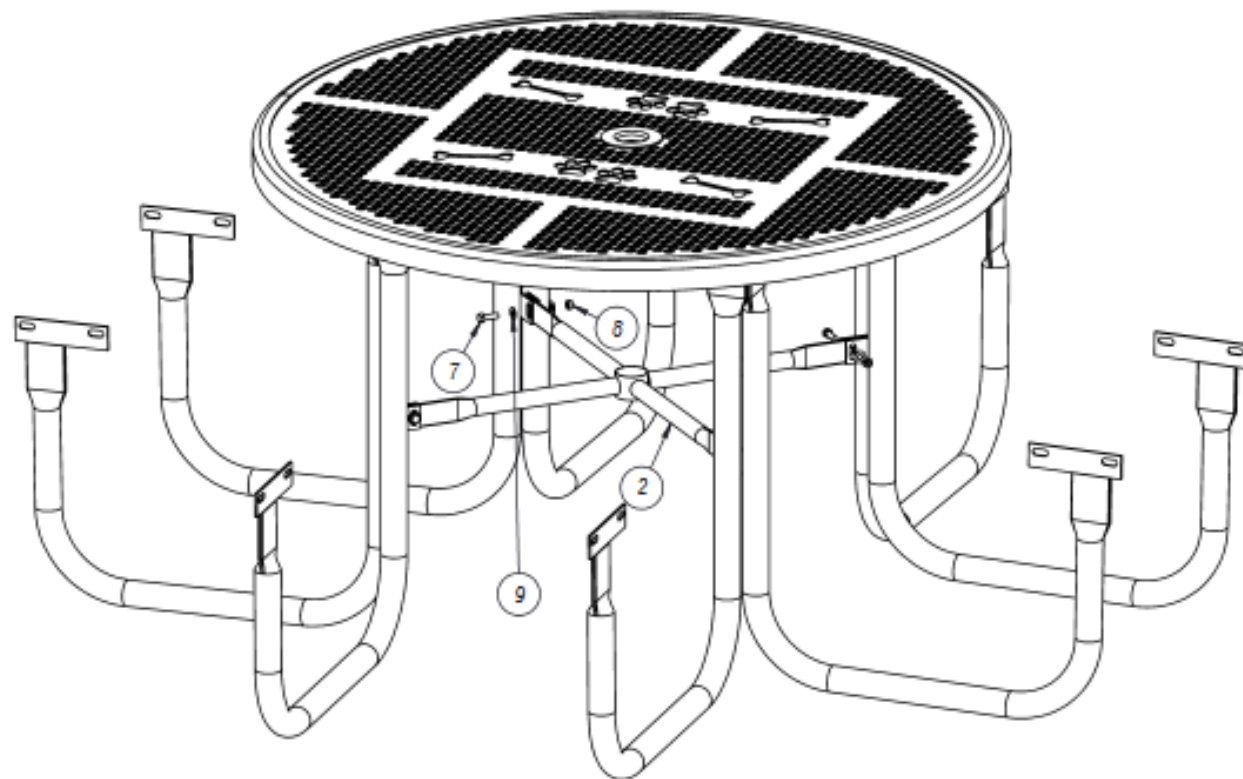
Attach Extension Tabs to the underneath of the table top using specified hardware.

STEP 2



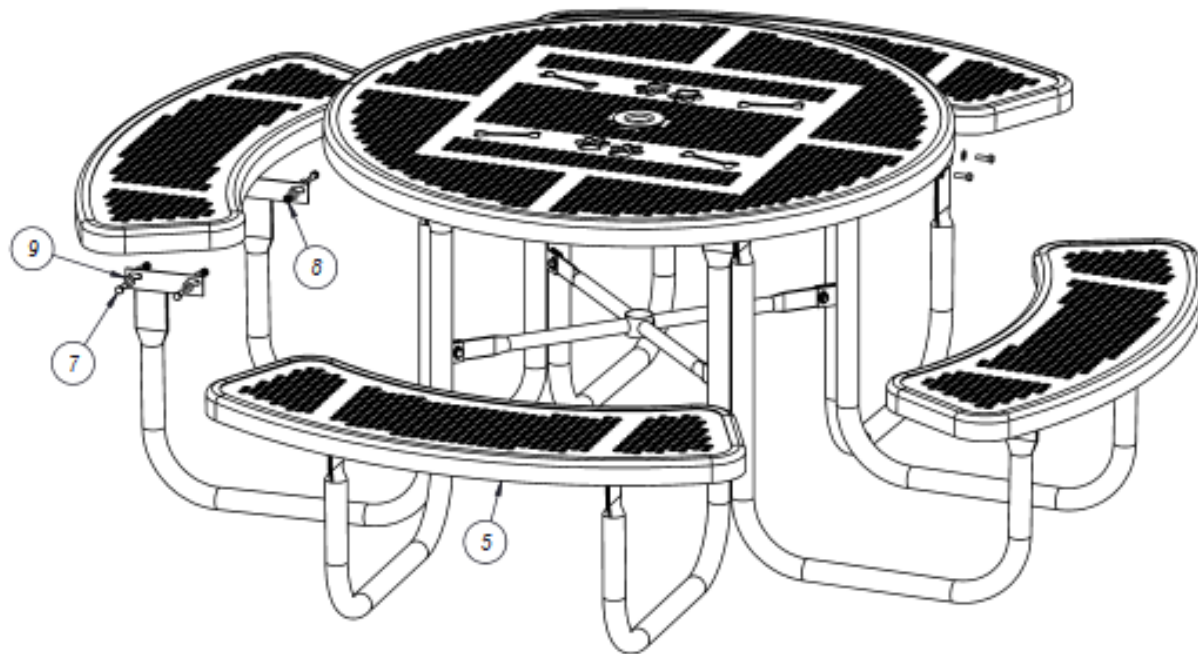
Attach legs to the outside of the Extensions Tabs using specified hardware.

STEP 3



Attach the 358 Crossbrace between the tabs on each leg using specified hardware.

STEP 4



Attach Seat Planks using specified hardware.

OVERALL DIMENSIONS

